



THE[®]
ITALIAN
LAB





THE ITALIAN LAB

ITALIAN LAB produce e commercializza elementi di arredo urbano e contenitori per la raccolta differenziata. I prodotti si distinguono per l'unicità del **design**, per la **qualità** dei materiali impiegati e per la flessibilità delle **personalizzazioni**. Oltre ai numerosi prodotti presenti nel catalogo ITALIAN LAB offre la possibilità di realizzare prodotti su disegno o personalizzare gli articoli a piacimento del cliente.

ITALIAN LAB produces and sells street furniture and containers for the recycling collection. The products are distinguished by the uniqueness of the **design**, the high standard **quality** of the materials used and for the flexibility of the **customizations**. In addition to the various products in the catalog, ITALIAN LAB offers the possibility of creating customized products or customizing the items at the customer's convenience.

ITALIAN LAB produit et vend du mobilier urbain et des conteneurs pour la collecte sélective. Les produits se distinguent par la singularité du **design**, la **qualité** des matériaux utilisés et la flexibilité des **personnalisations**. ITALIAN LAB offre, outre les nombreux produits du catalogue, la possibilité de créer des produits personnalisés ou de personnaliser les articles à la convenance du client.

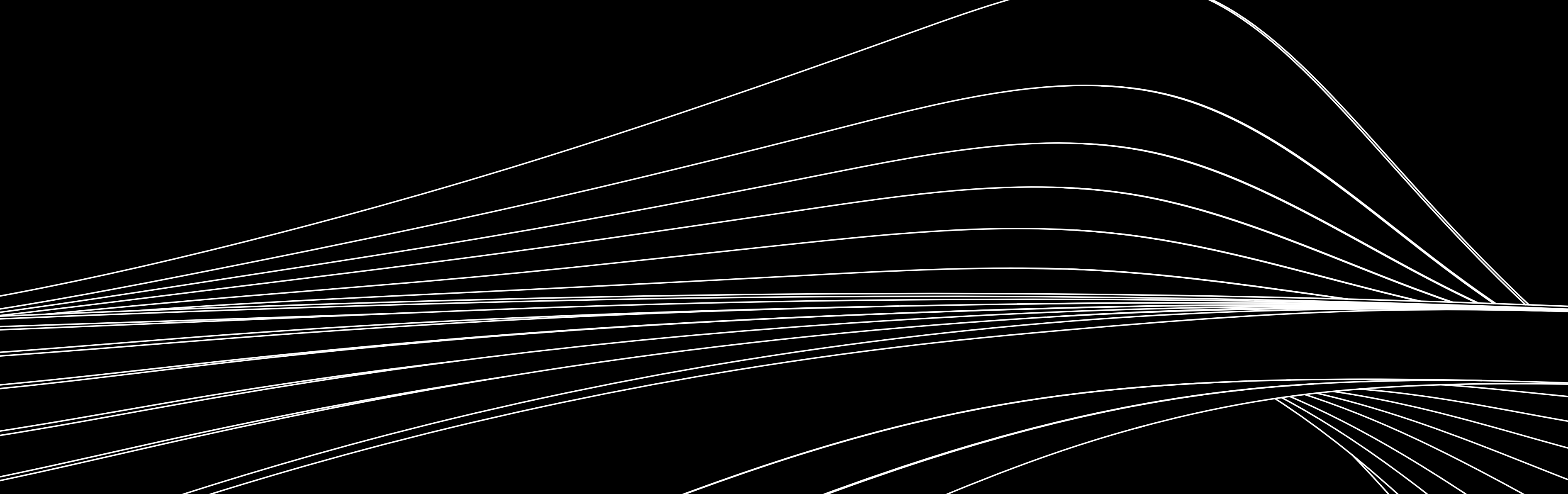


WE TRANSFORM PUBLIC SPACES
IN PLEASANT SPACES

- 06 UHPC PRODUCTS
- 32 LEATHER COLLECTION
- 68 BENCHES
PANCHINE
- 150 MALL COLLECTION
- 168 RAMAGE COLLECTION
- 178 ELES COLLECTION
- 190 CHARM COLLECTION
- 196 LITTER BINS
CESTINI
- 220 BIKE RACKS
PORTABICI
- 236 ASHTRAYS
GETTA SIGARETTE
- 242 BOLLARDS
DISSUASORI
- 262 PLANTERS
FIORIERE
- 276 TREEGUARDS
SALVAPIANTE
- 288 DRINK FOUNTAINS
FONTANE



URBAN LIFE



UHP C PRODUCTS

SERAC

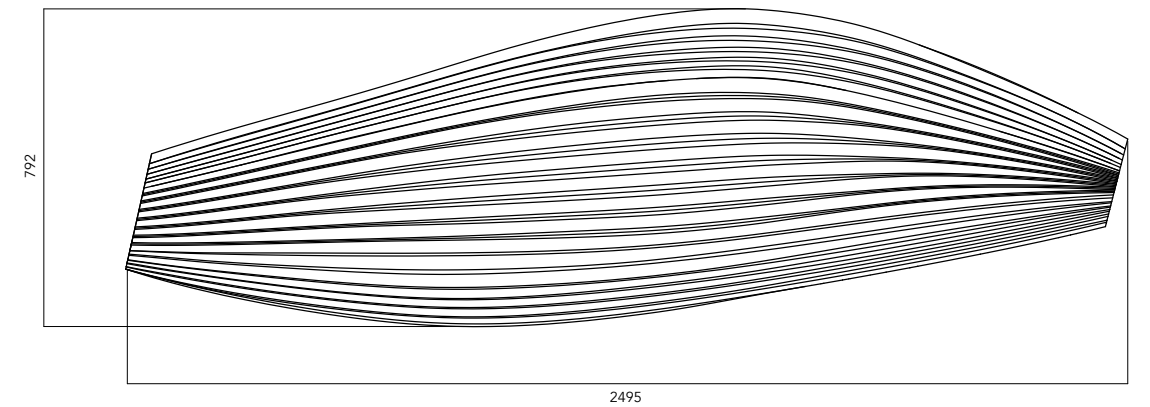
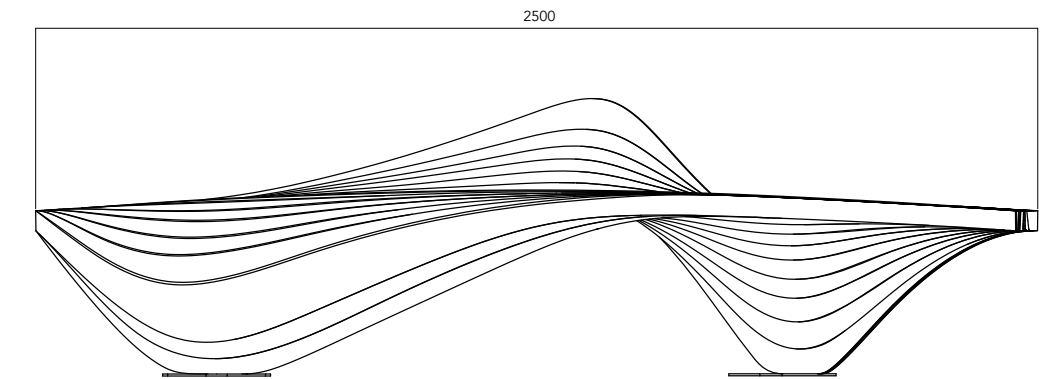
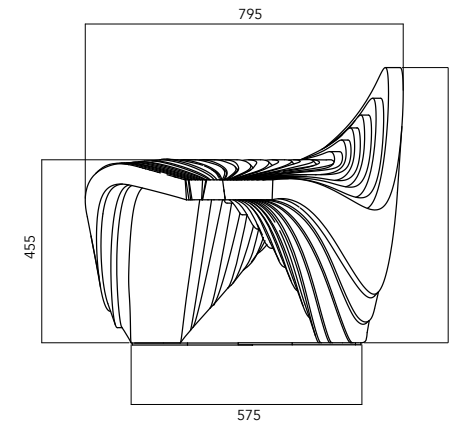
PANCHINA / BENCH

CODE UL - PNC - 101

Dimensions: L 2500 W 800 H 500 L 2500 W 800 H 500



picture credit to MHI

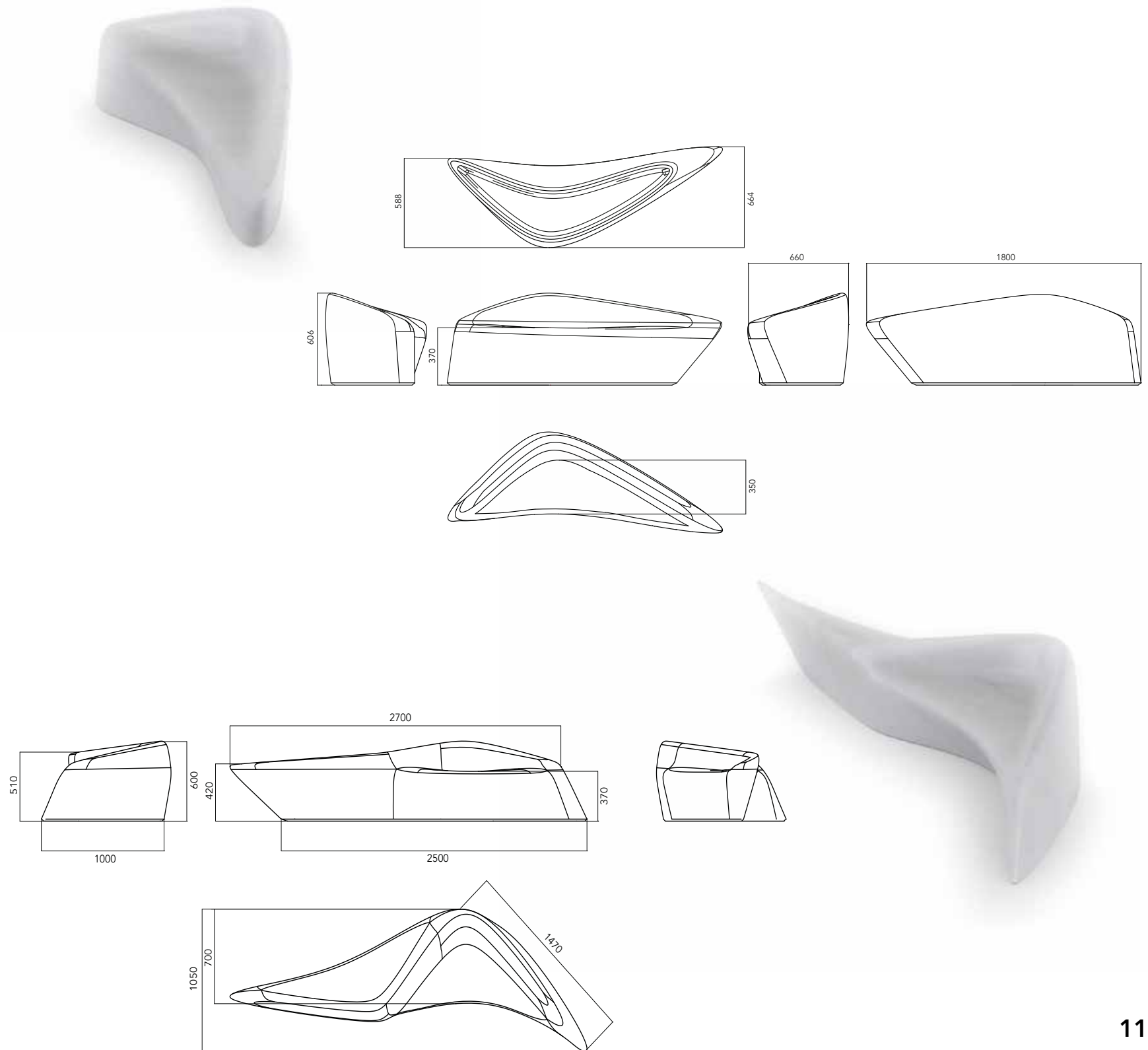


CL BENCH SINGLE and DOUBLE

PANCHINA / BENCH

CODE SINGLE UL - PNC - 102 CODE DOUBLE UL - PNC - 103

Dimensions: SINGLE L 1800 W 660 H 450 DOUBLE L 2700 W 1000 H 450

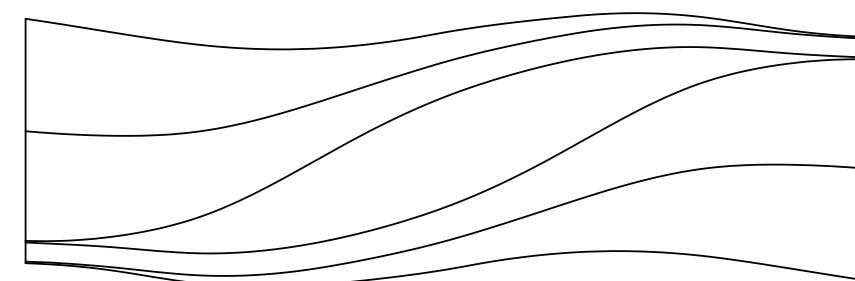
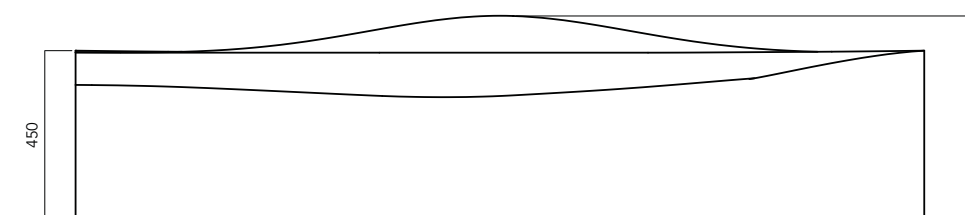
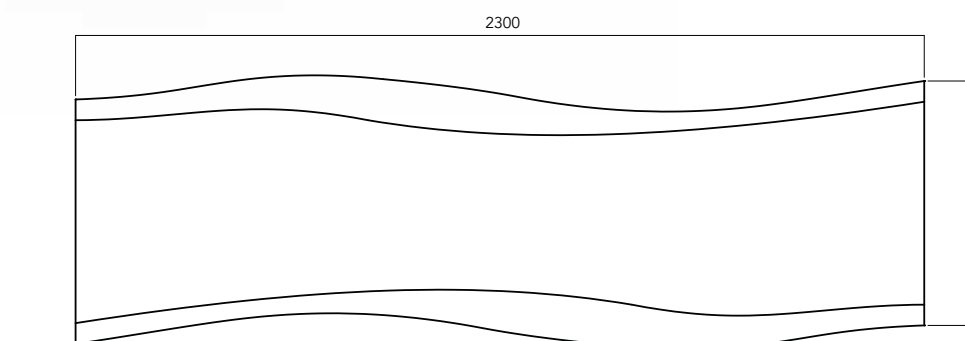
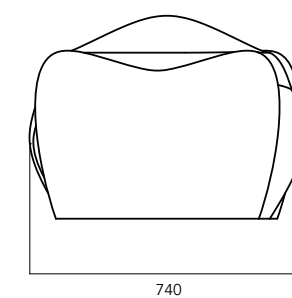
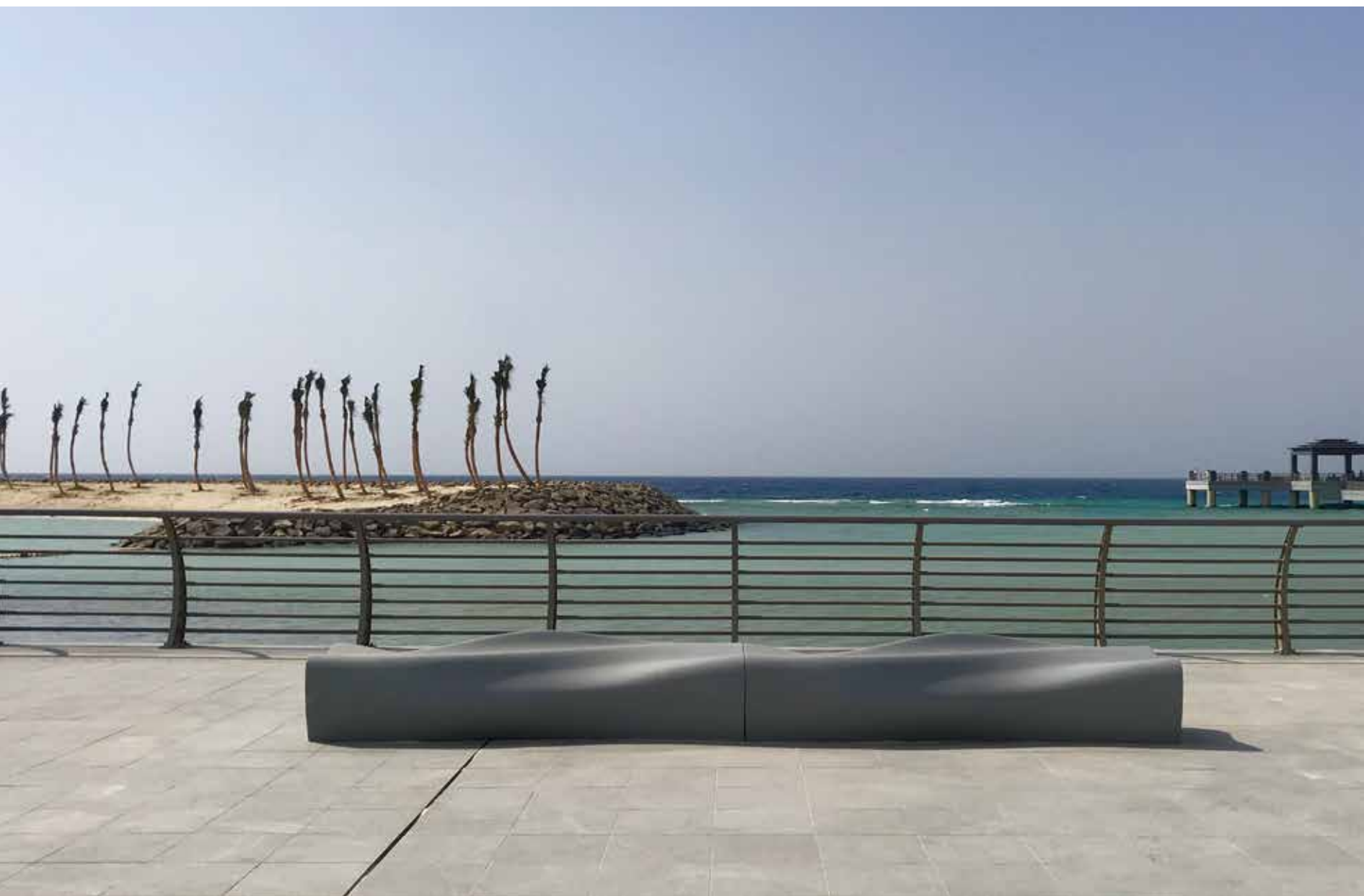


DUNE and DUNE CURVE

PANCA / SEAT

CODE DUNE UL - PNC - 104 CODE DUNE CURVE UL - PNC - 105

Dimensions: L 2150 W 600 H 450 CURVE L 1300 W 660 H 450

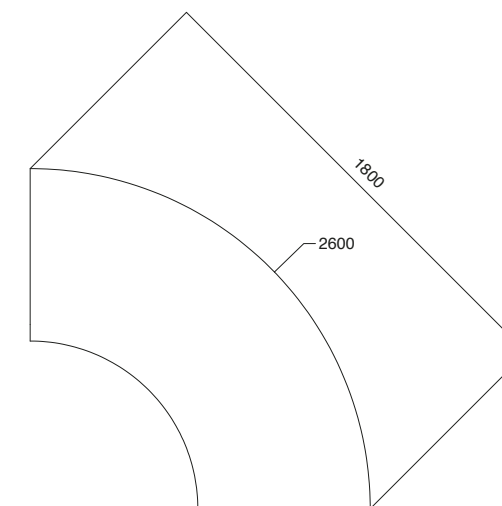
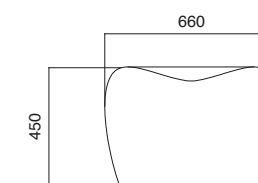
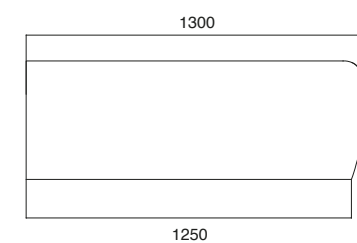


DUNE and DUNE CURVE

PANCA / SEAT

CODE DUNE UL - PNC - 104 CODE DUNE CURVE UL - PNC - 105

Dimensions: L 2150 W 600 H 450 CURVE L 1300 W 660 H 450



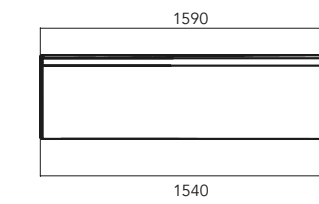
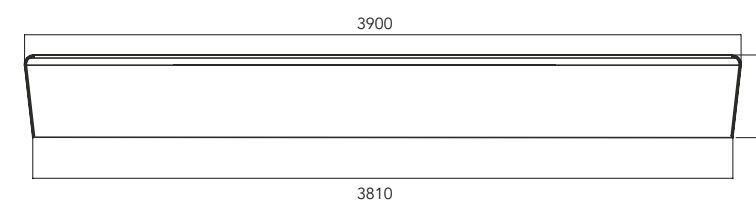
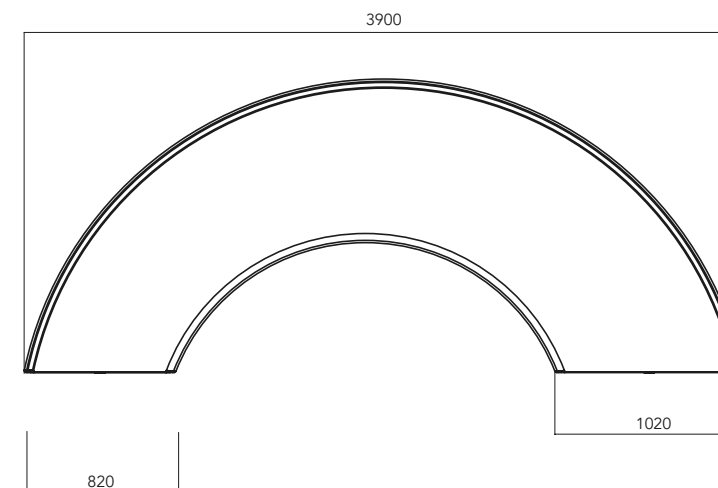


SEAT PLANTER

PANCA / SEAT

CODE UL - PNC - 106DX
UL - PNC - 106SX

Dimensions: D 3900 H 450

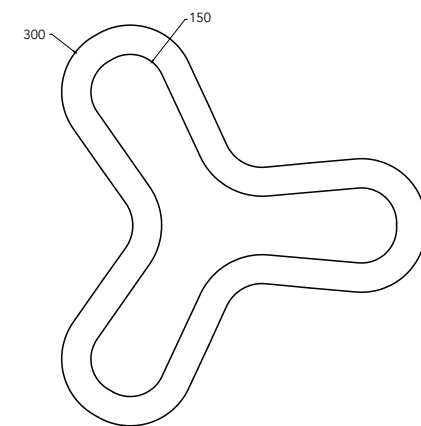
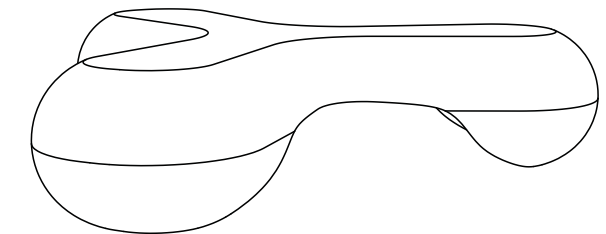
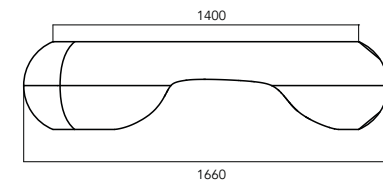
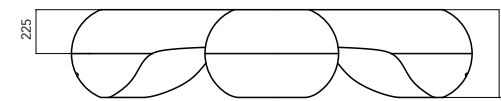
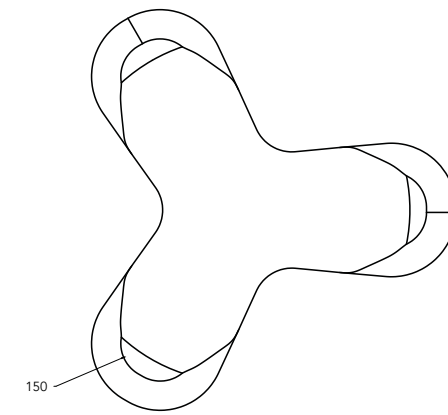


TRIO

PANCA / SEAT

CODE UL - PNC - 107

Dimensions: D 1660 H 450





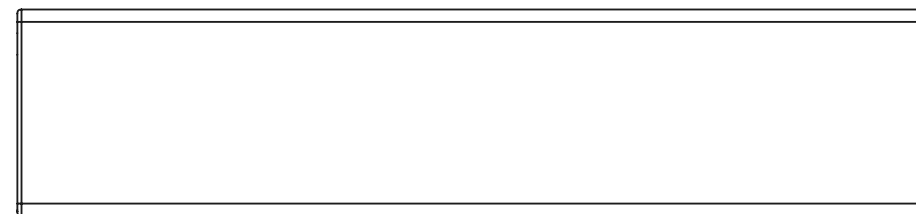
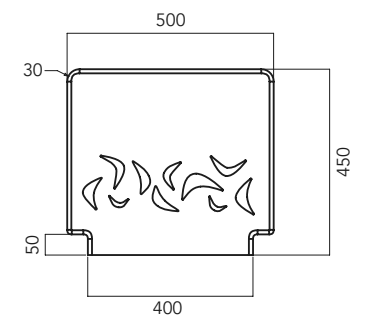
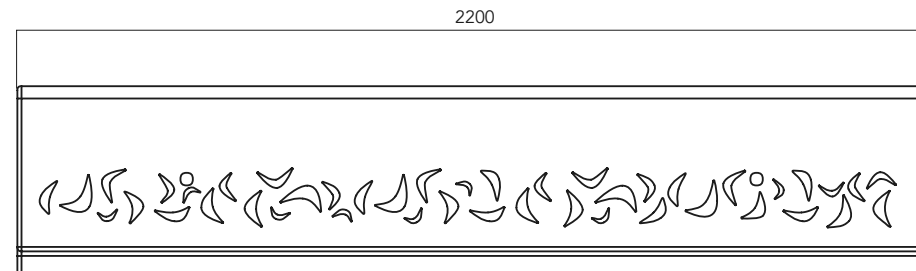
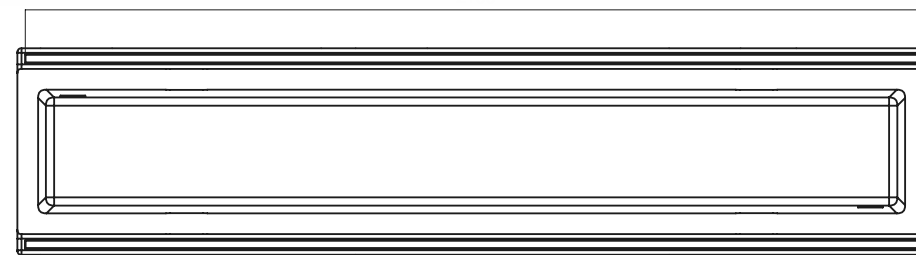
MONOLITHE JJ

PANCA / SEAT

CODE UL - PNC - 108

Dimensions: L 2200 W 500 H 450

 **OPTIONAL** LUCE LED / LED LIGHT



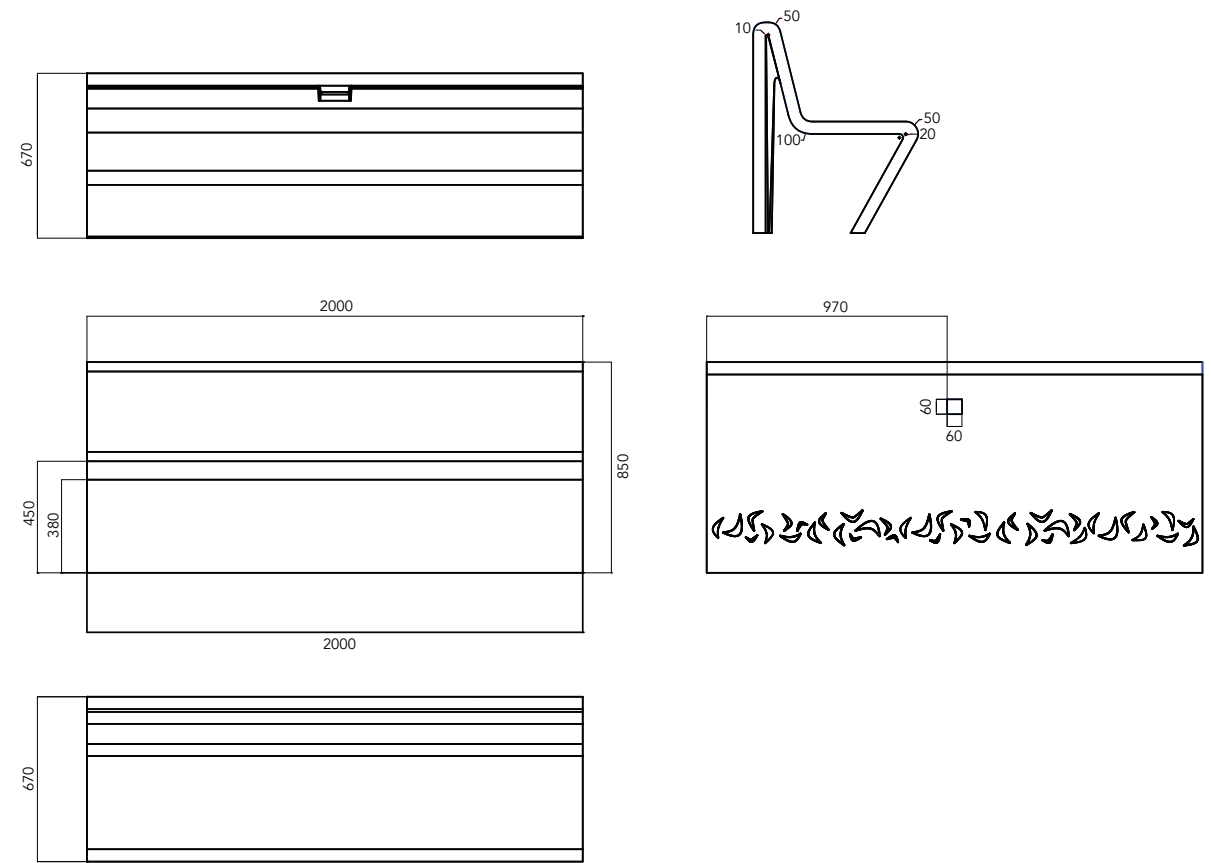


JJ BACK BENCH

PANCHINA / BENCH

CODE UL - PNC - 109

Dimensions: L 2000 W 670 H 850



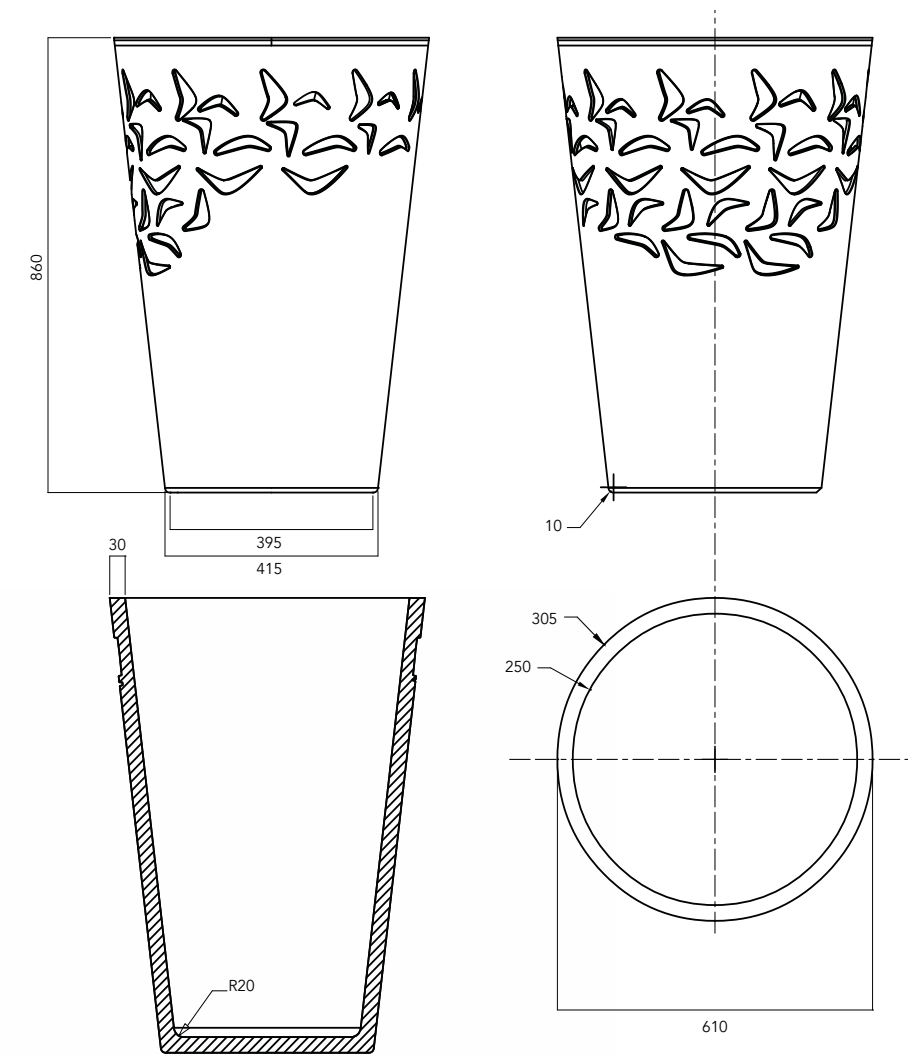


JJ BIN

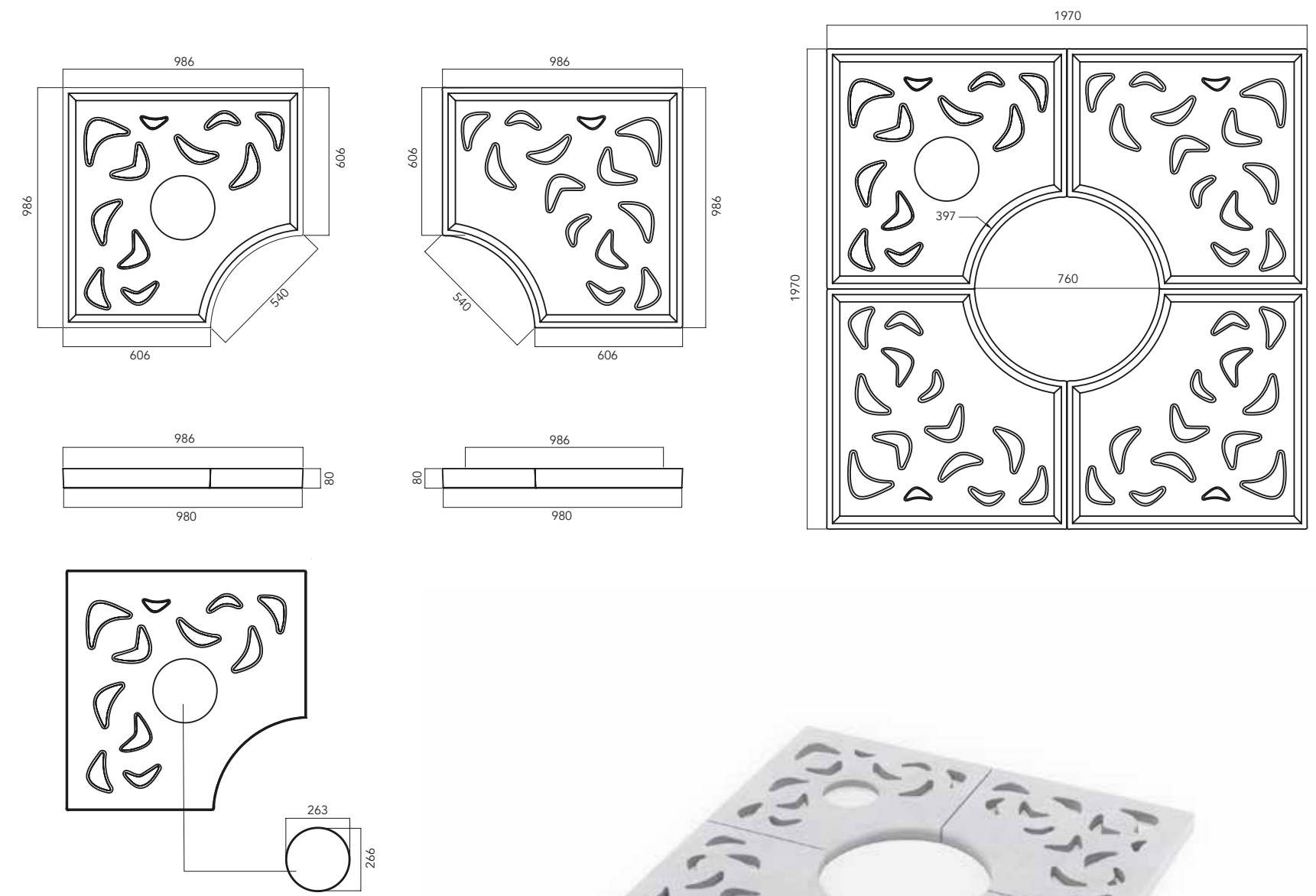
CESTINO / LITTER BIN

CODE UL - CST - 110

Dimensions: D 610 H 860



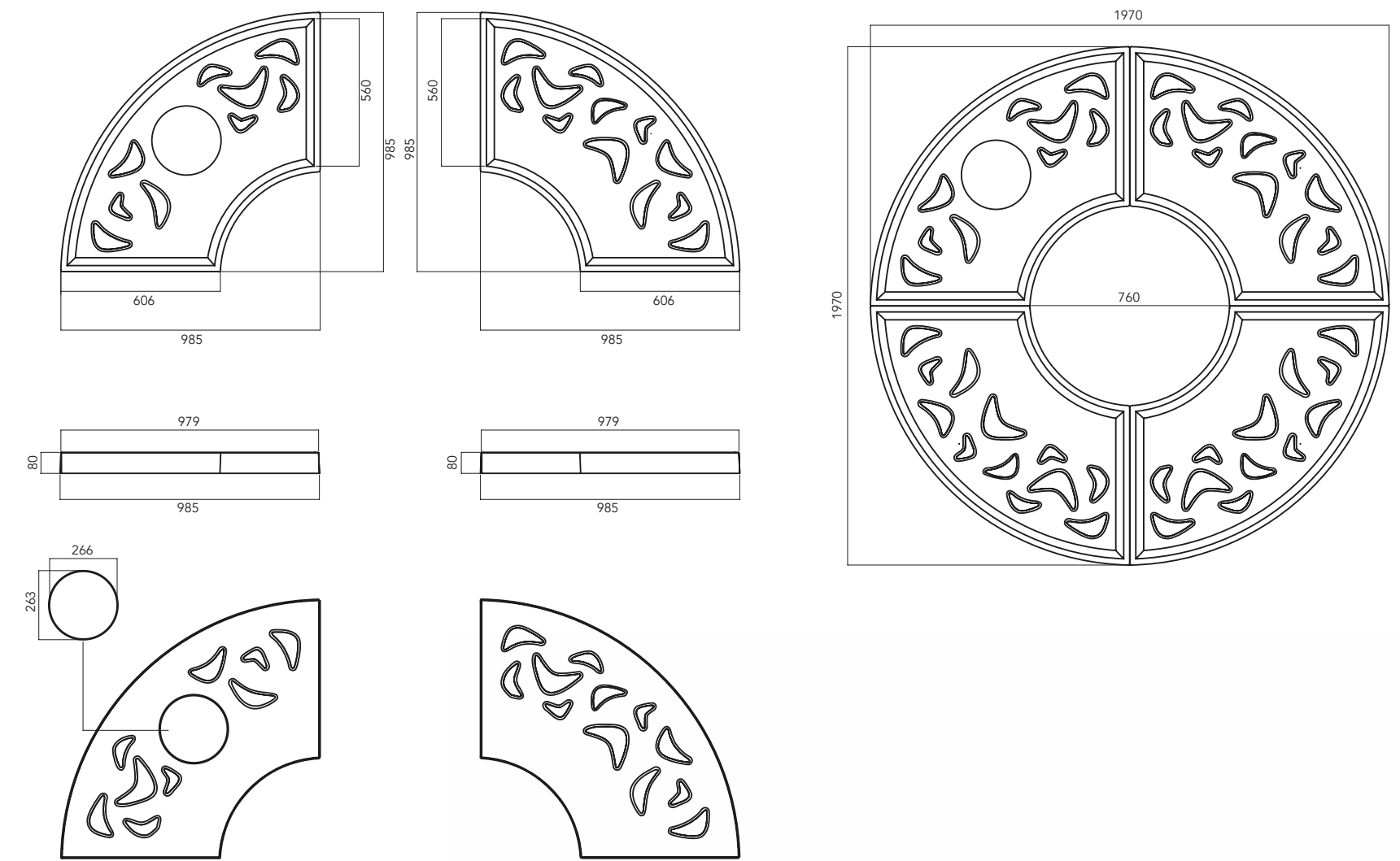
OPTIONAL COPERCHIO INOX / INOX LID



—
JJ
 SALVAPIANTA /
 TREGUARD

CODE UL - SLP - 111

Dimensions:
 1970x1970 Hole 760



JJ
SALVAPIANTA /
TREEGUARD

CODE UL - SLP - 112

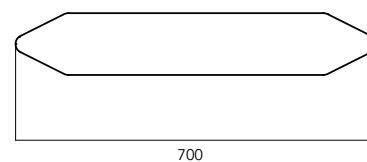
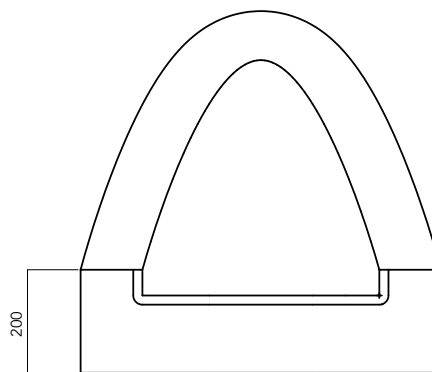
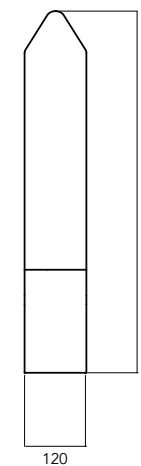
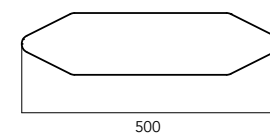
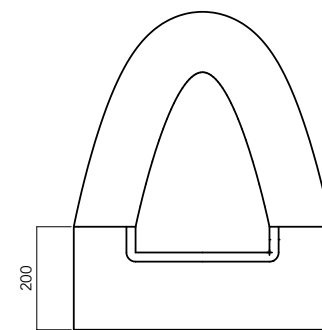
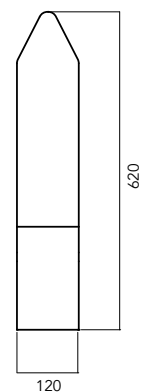
Dimensions:
 D 1970 Hole 760

ARCH

DISSUASORE / BOLLARD

CODE UL - DSR - 113B / UL - DSR - 113S

Dimensions: L 500 W 120 H 310 L 700 W 120 H 500



URBAN LIFE_LEATHER COLLECTION



LEATHER COLLECTION

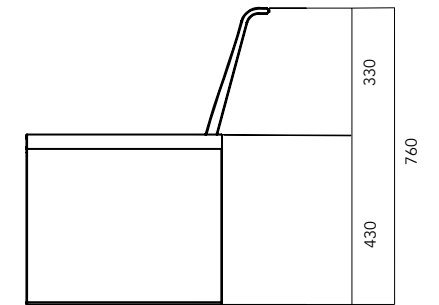
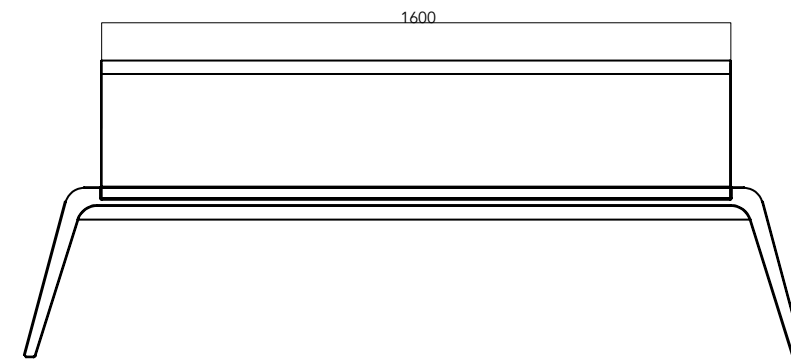
UHPC



LEATHER

PANCHINA / BENCH

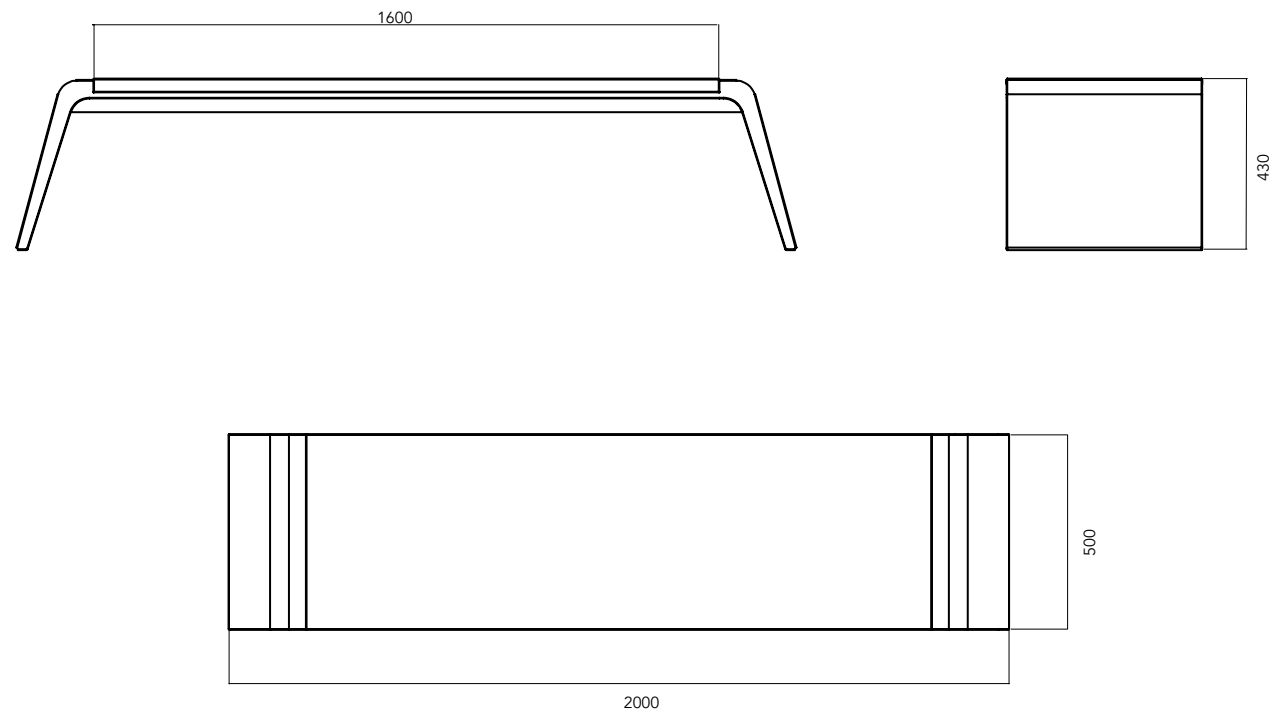
CODE UL - PNC - 059



LEATHER

PANCA / SEAT

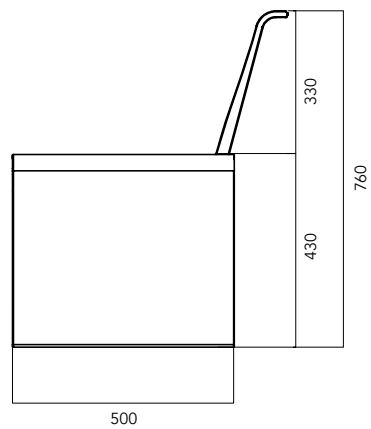
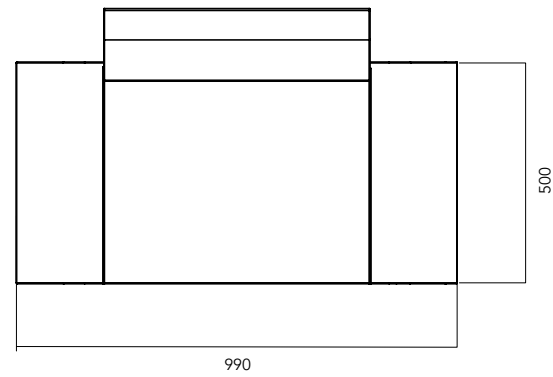
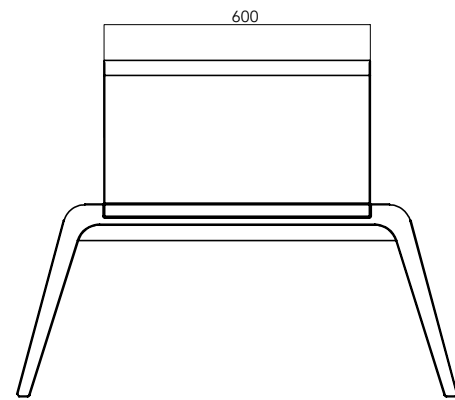
CODE UL - PNC - 060



LEATHER

SEDIA / CHAIR

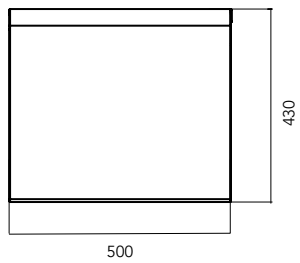
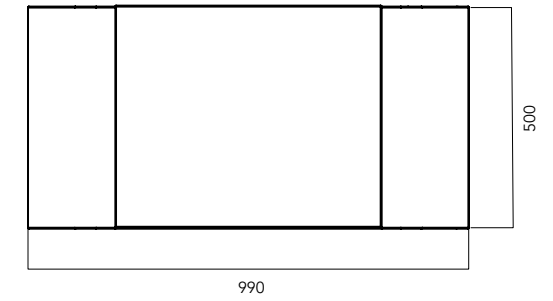
CODE UL - PNC - 062



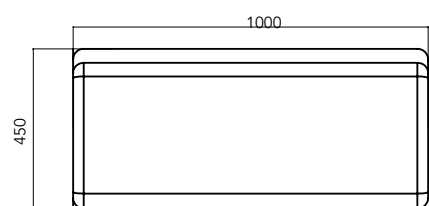
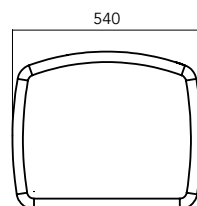
LEATHER

SEDUTA / SEAT

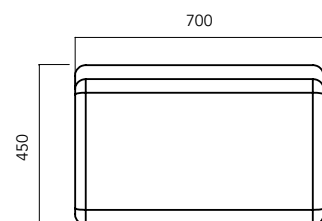
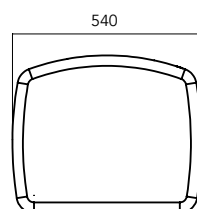
CODE UL - PNC - 063



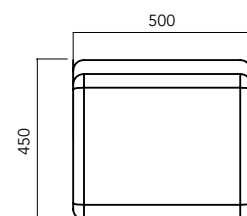
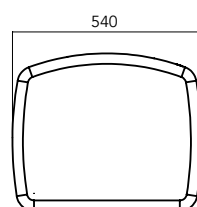
POUF



POUF LEATHER A UL-PNC-066



POUF LEATHER B UL-PNC-067



POUF LEATHER C UL-PNC-068



—
PEBBLES
SEDUTE / SEATS



PEBBLES

SEDUTE / SEATS

CODE B UL - PNC - 041



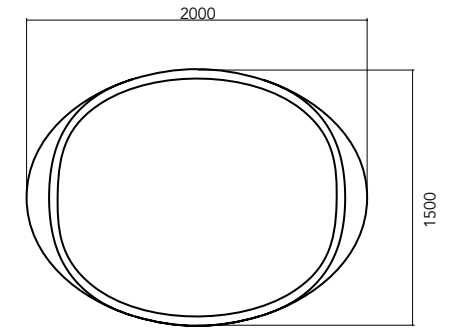
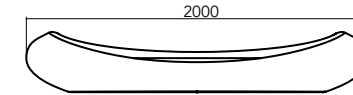
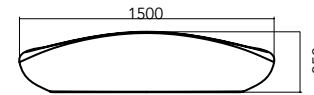
CODE C UL - PNC - 042



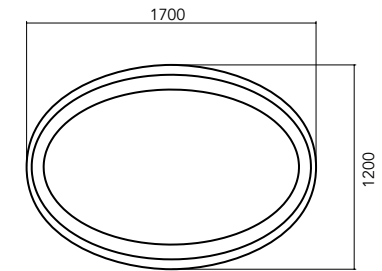
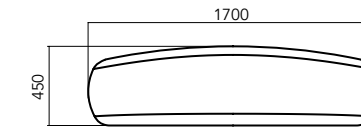
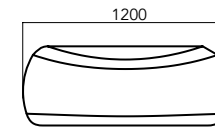
CODE A UL - PNC - 040



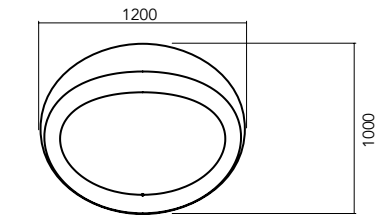
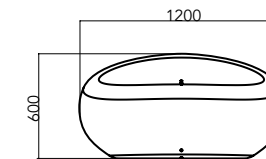
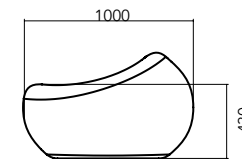
CODE A UL - PNC - 040



CODE B UL - PNC - 041



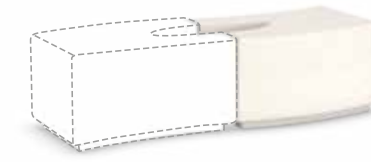
CODE C UL - PNC - 042



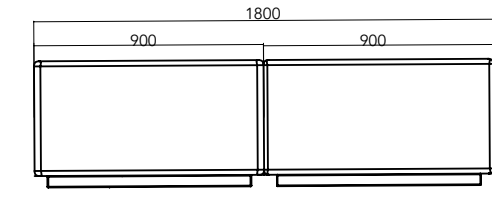
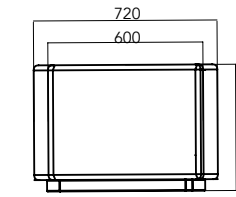
SECTION

SEDUTA / SEAT

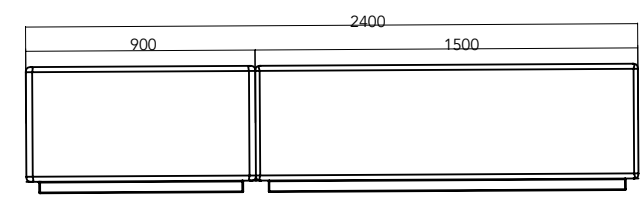
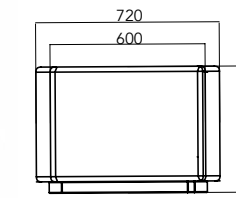
 OPTIONAL LUCE LED / LED LIGHT



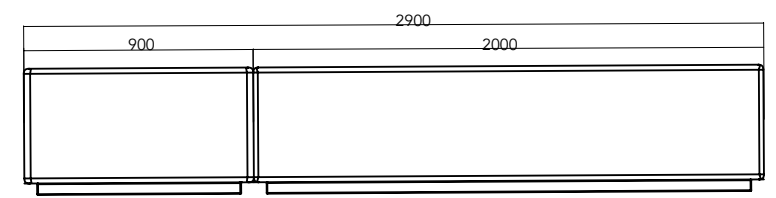
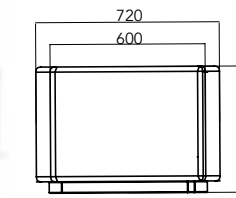
CODE A UL - PNC - 046



CODE B UL - PNC - 047



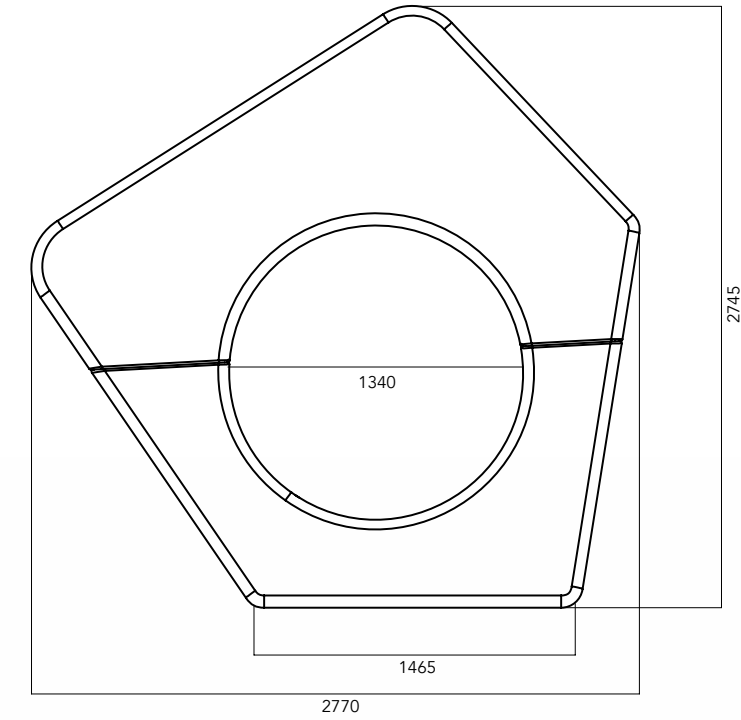
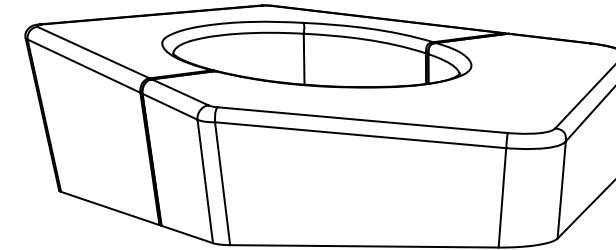
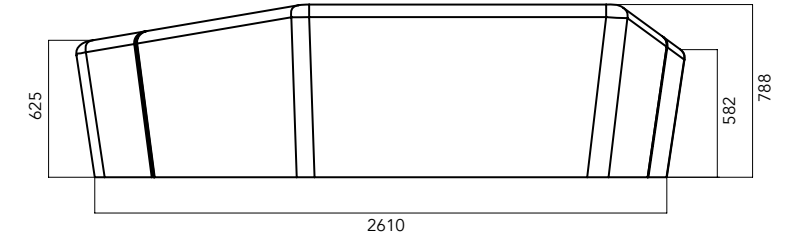
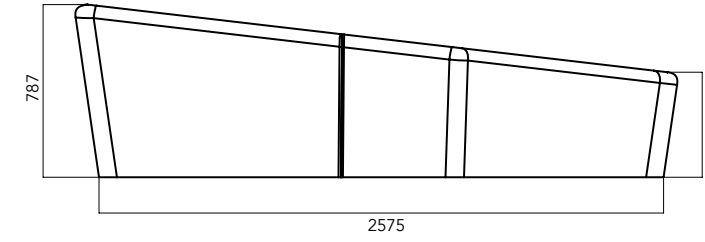
CODE C UL - PNC - 048

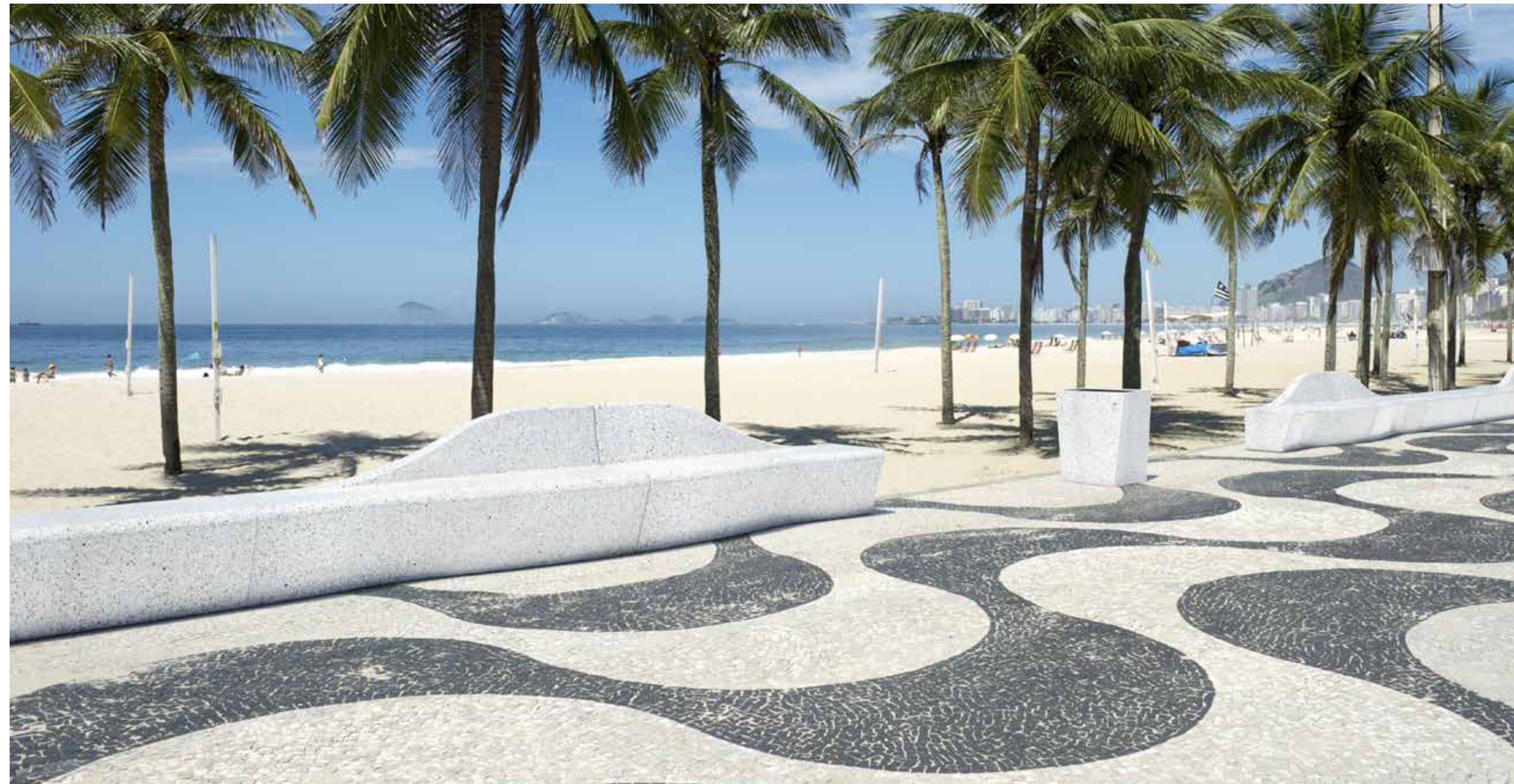


—

FIVE

CODE UL - PNC - 98





—
SEA
PANCHINA / BENCH

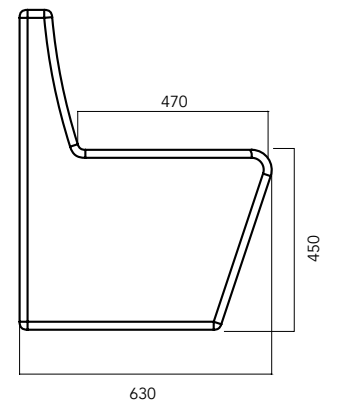
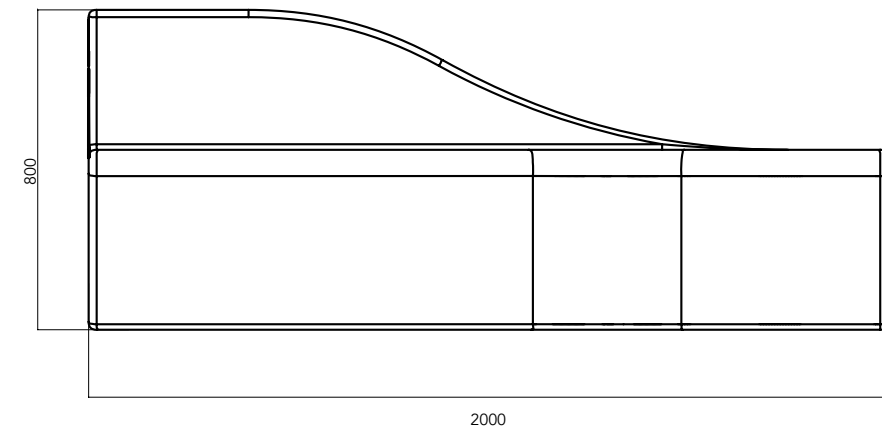
—
SEA
PANCHINA / BENCH



CODE DX UL - PNC - 044



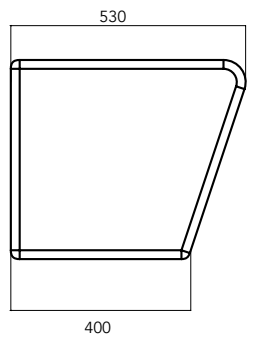
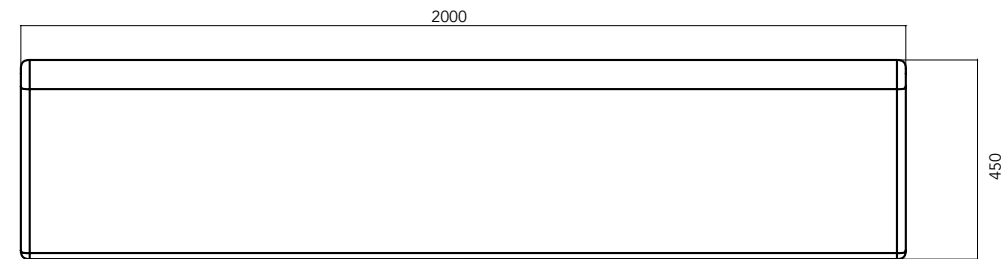
CODE SX UL - PNC - 045



MONOLITHE

PANCA / SEAT

CODE UL - PNC - 043





—
PENTA
PANCHINA / BENCH

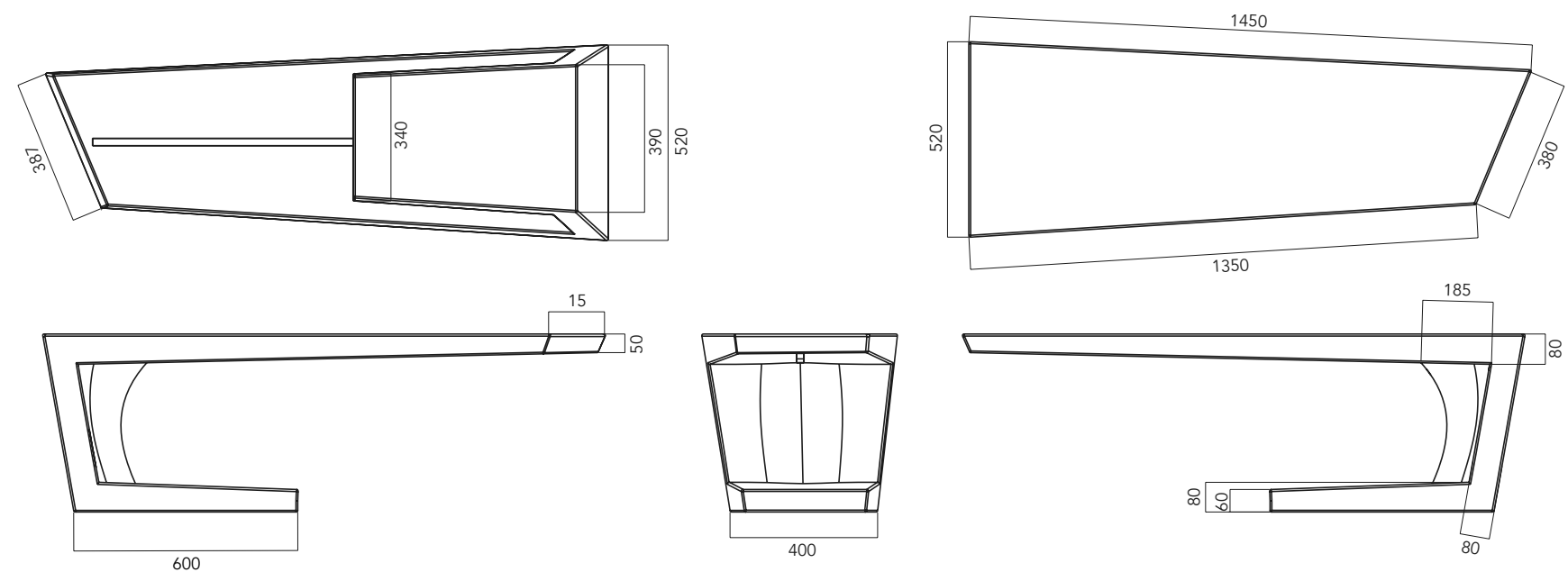


PENTA

PANCA / SEAT

CODE UL - PNC - 051

 OPTIONAL LUCE LED / LED LIGHT



—
BEND
SEDUTE / SEATS



BEND

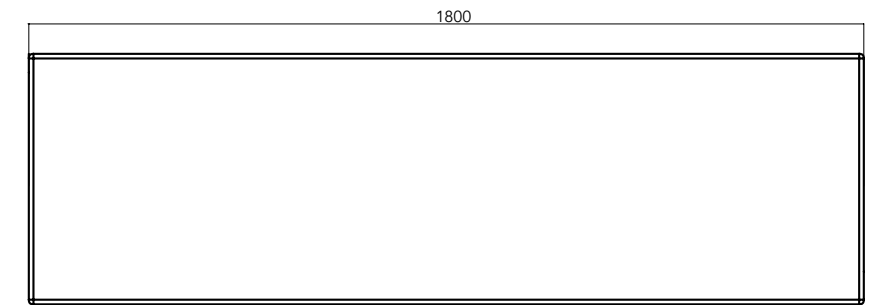
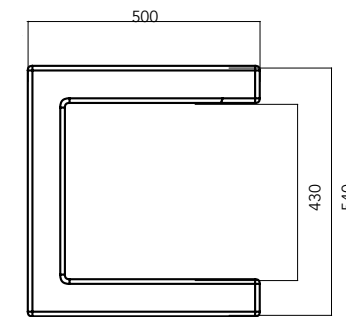
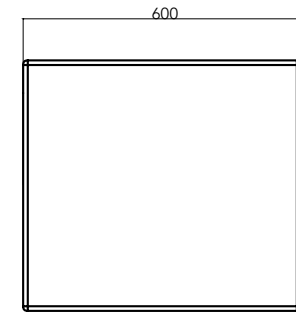
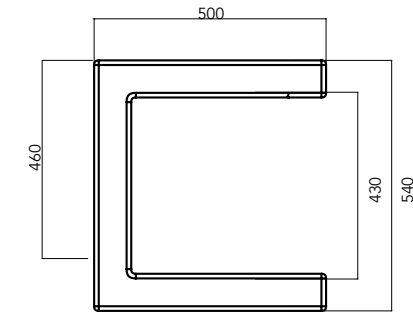
SEDUTE / SEATS

 OPTIONAL LUCE LED / LED LIGHT



CODE UL - PNC - 050

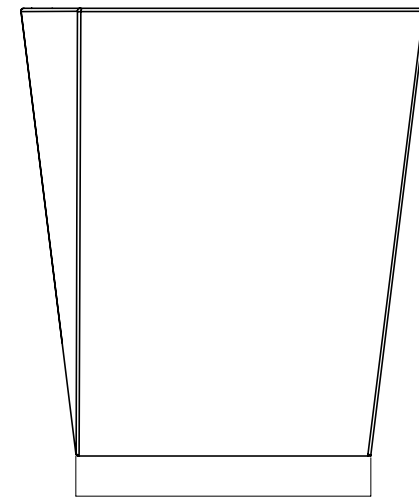
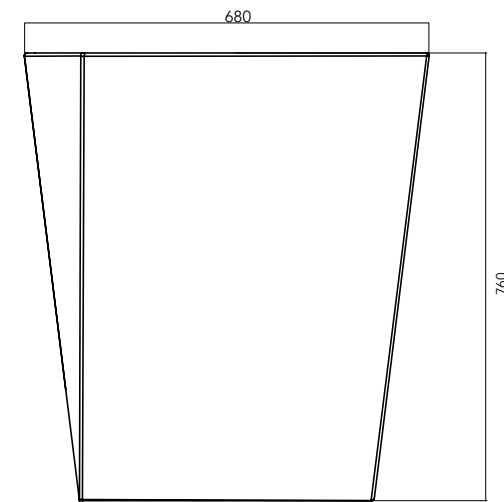
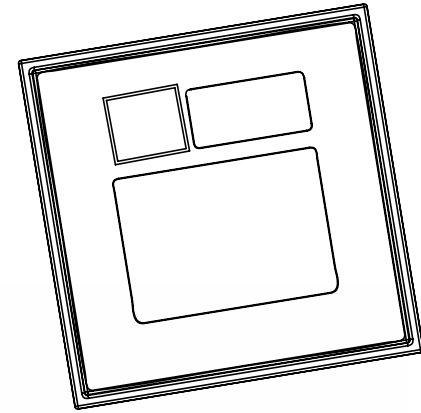
CODE UL - PNC - 049



SEA

CODE UL - CST - 016

C: 120 LT

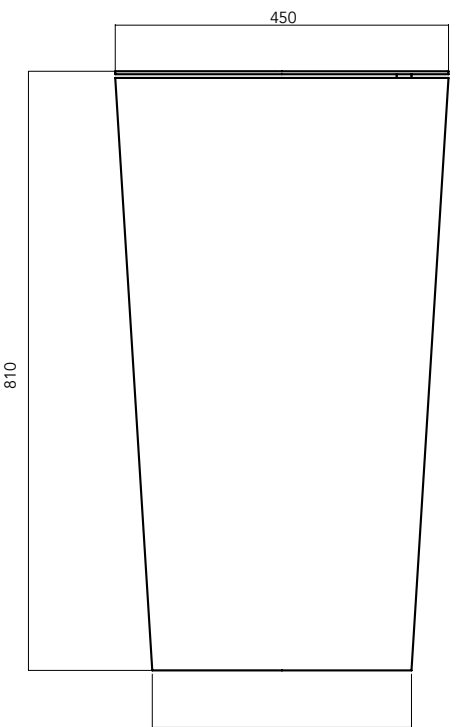
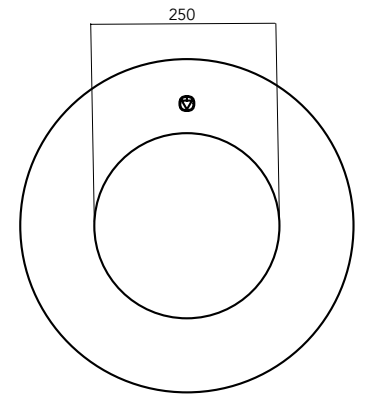


500

SMOOTH

CODE UL - CST - 027

C: 80 LT

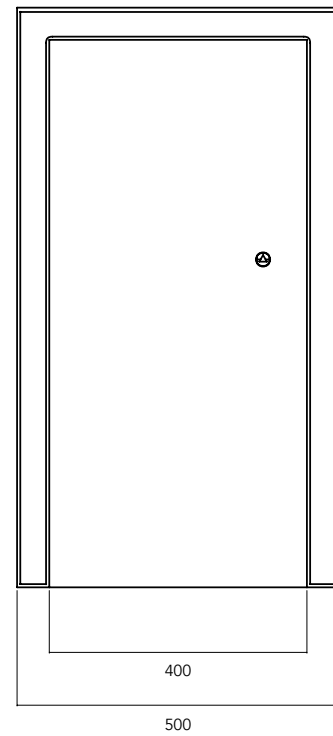
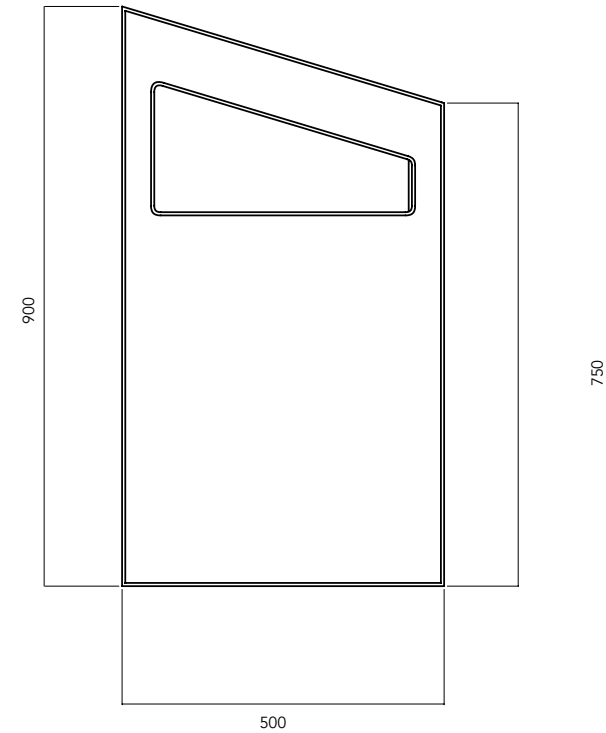



350

—
BLOCK

CODE UL - CST - 028

C: 60 LT



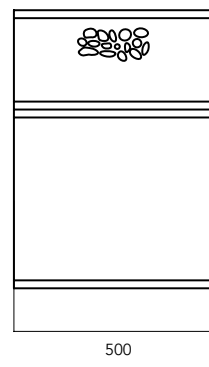
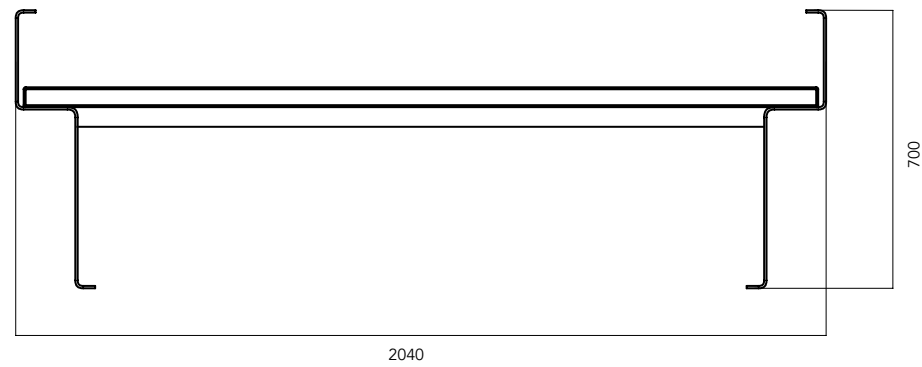


**PANCHINE
BENCHES**

CLAPS

PANCA / SEAT

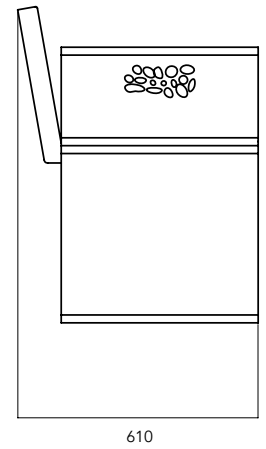
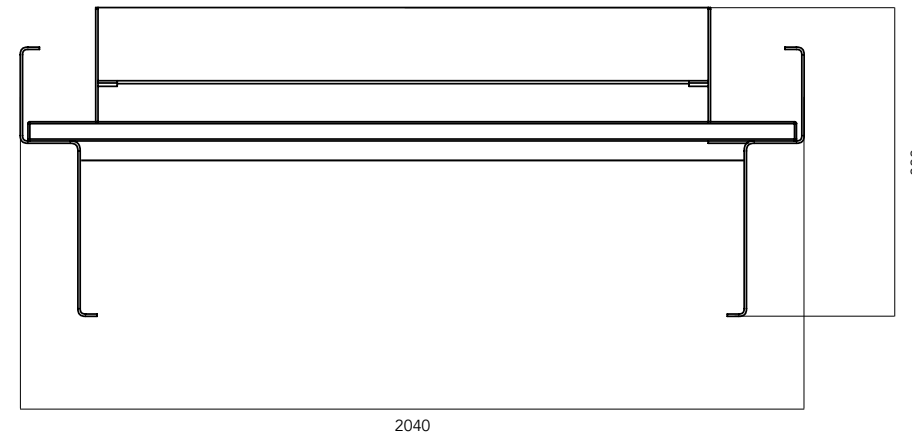
CODE UL - PNC - 008



CLAPS

PANCHINA / BENCH

CODE UL - PNC - 007

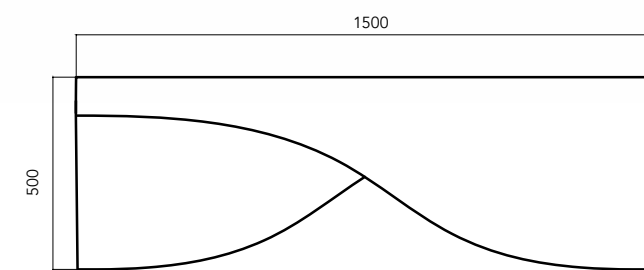
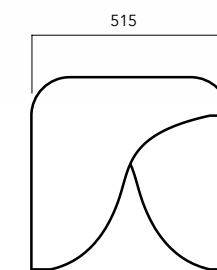
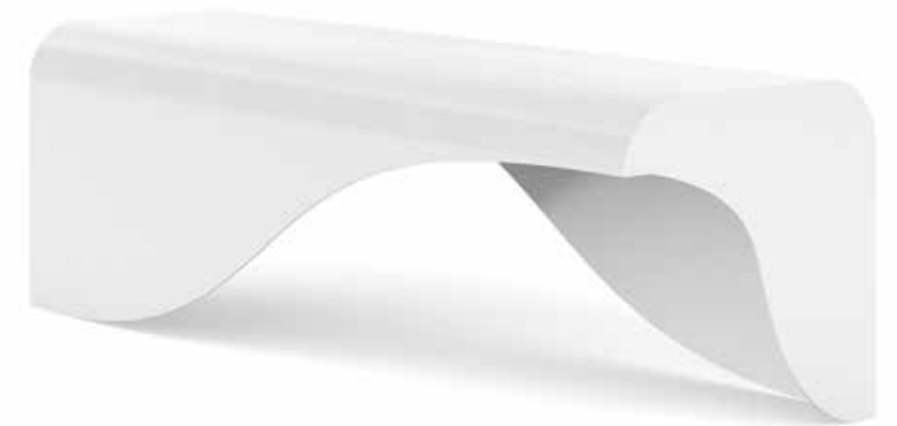


—
ONDA
PANCA / SEAT

CODE DX UL - PNC - 028



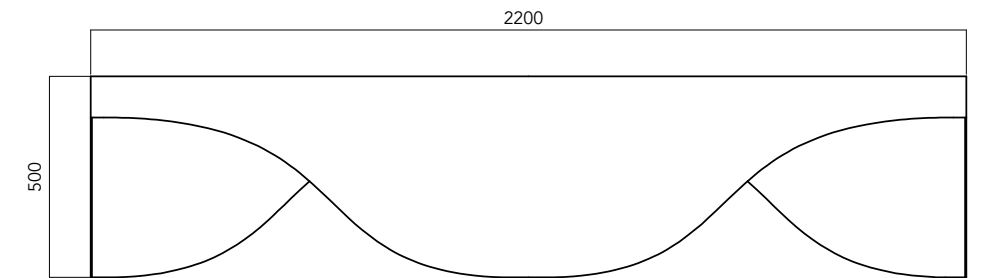
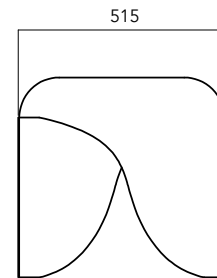
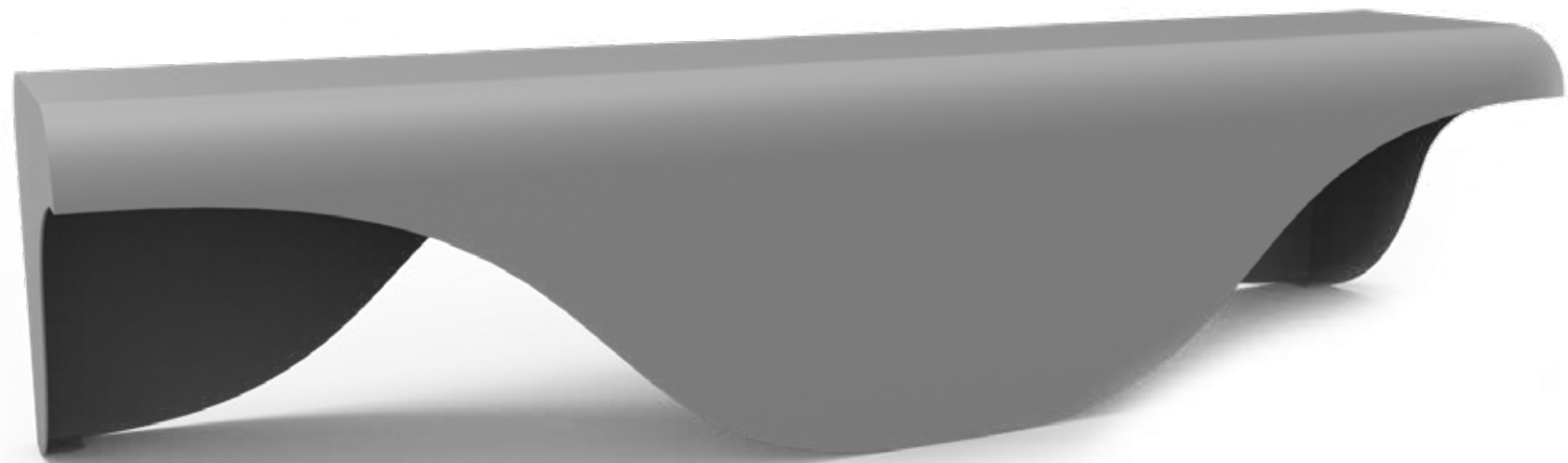
CODE SX UL - PNC - 027



ONDA 2.2 MT

PANCA / SEAT

CODE UL - PNC - 028S





MAC

PANCA / SEAT

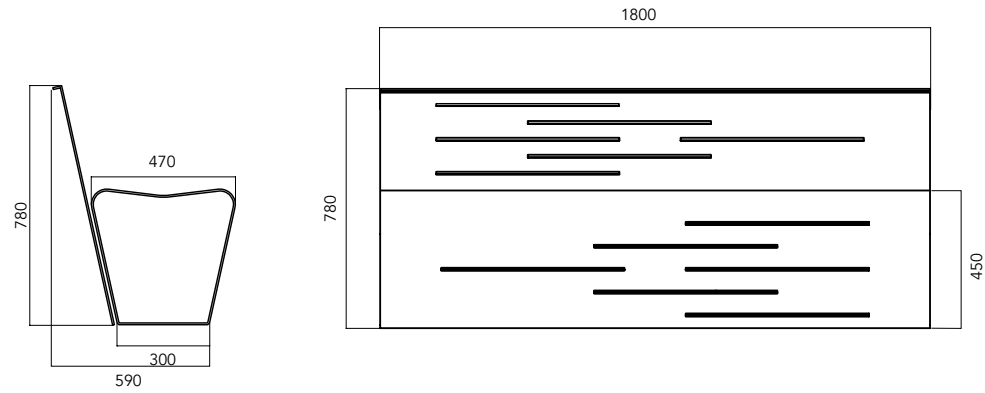
CODE UL - PNC - 016



MAC

PANCHINA / BENCH

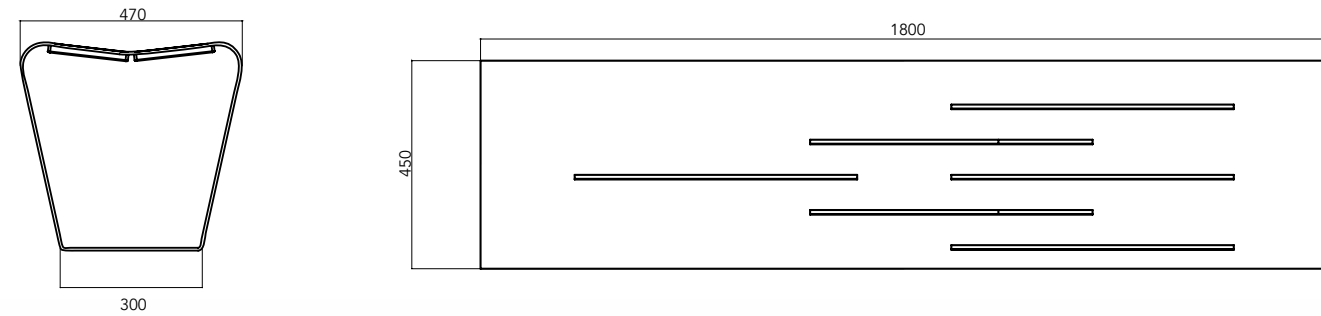
CODE UL - PNC - 015



MAC WOOD

PANCA / SEAT

CODE UL - PNC - 020

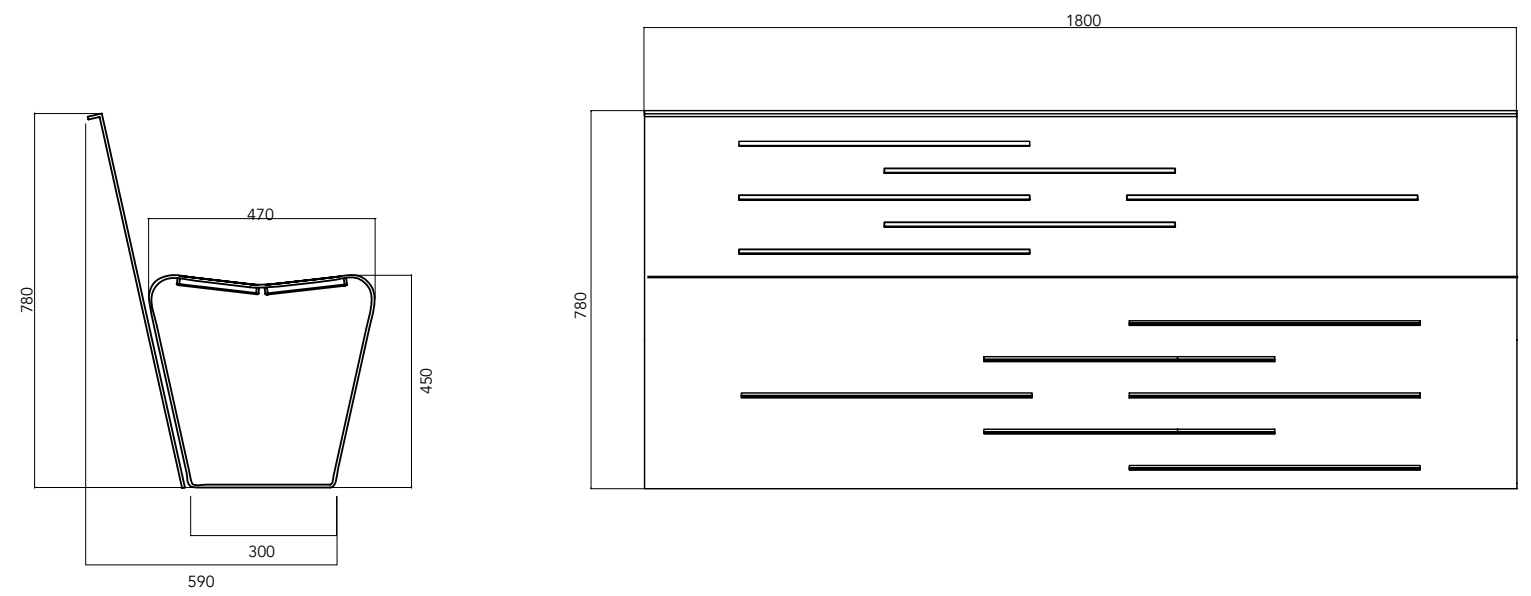




MAC WOOD

PANCHINA / BENCH

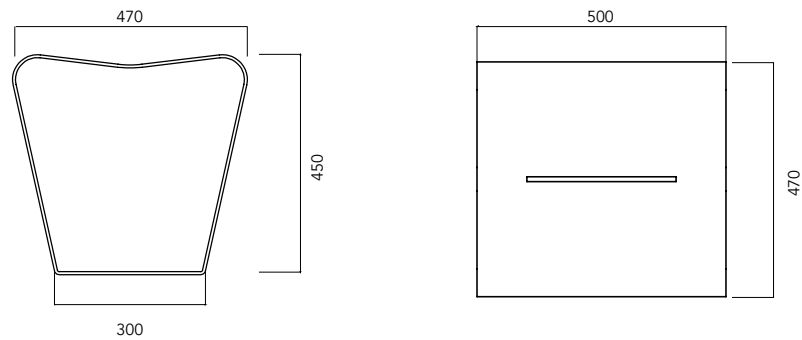
CODE UL - PNC - 019



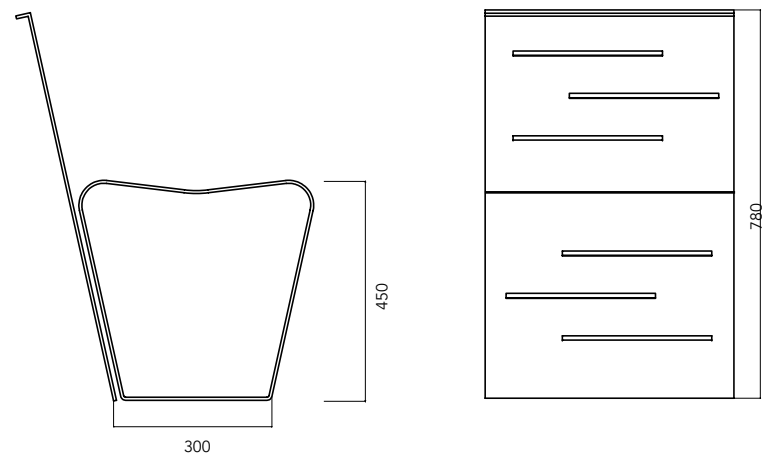
MAC

SEDUTA / SEAT

CODE UL - PNC - 017



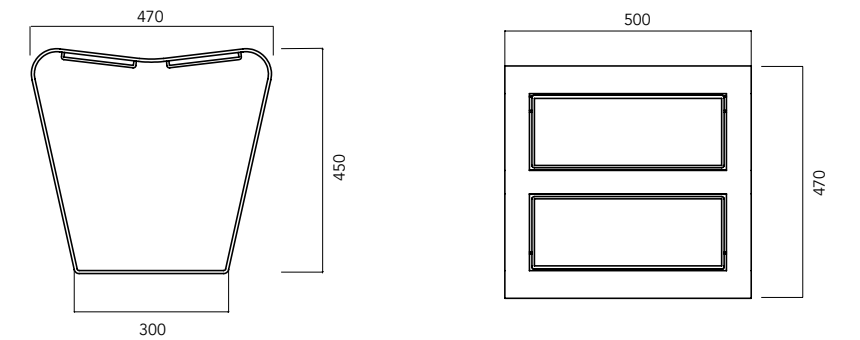
CODE UL - PNC - 018



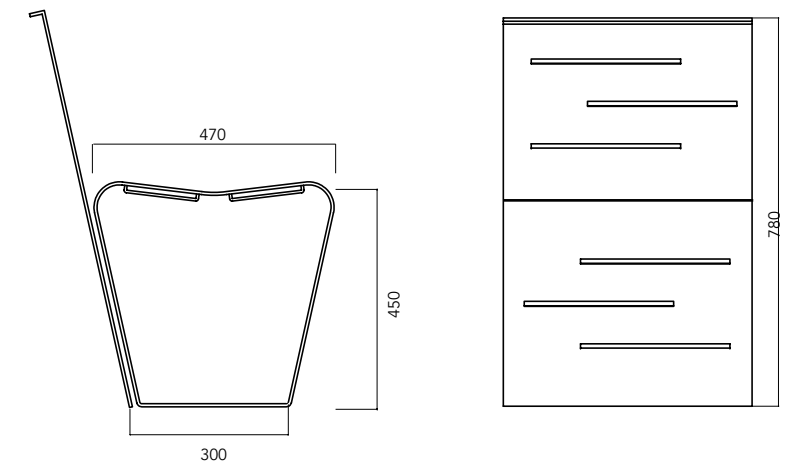
MAC WOOD

SEDUTA / SEAT

CODE UL - PNC - 021



CODE UL - PNC - 022

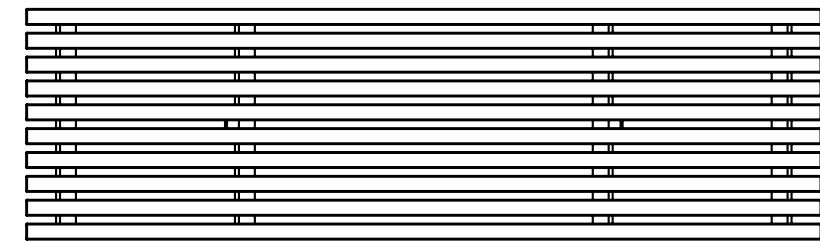
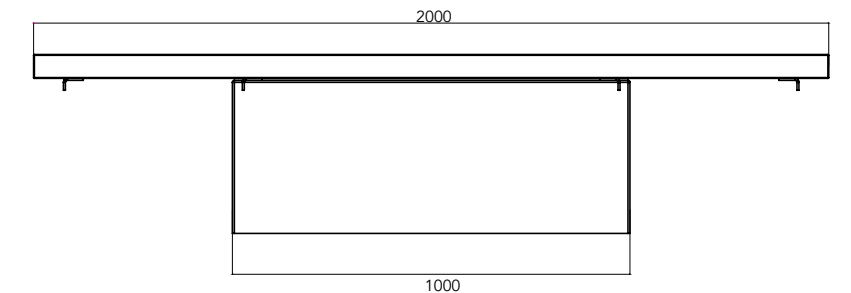
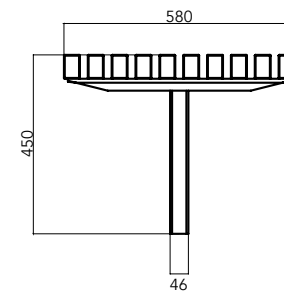




MINIMAL

PANCA / SEAT

CODE UL - PNC - 014

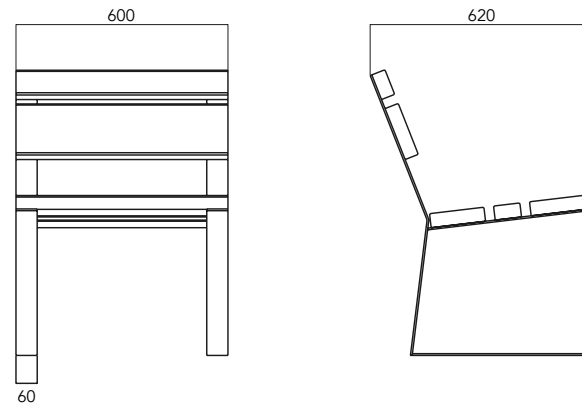


EASY EVO

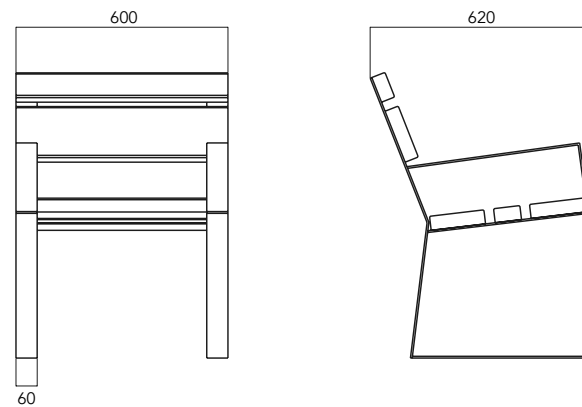
SEDIA / CHAIR



CODE UL - PNC - 075



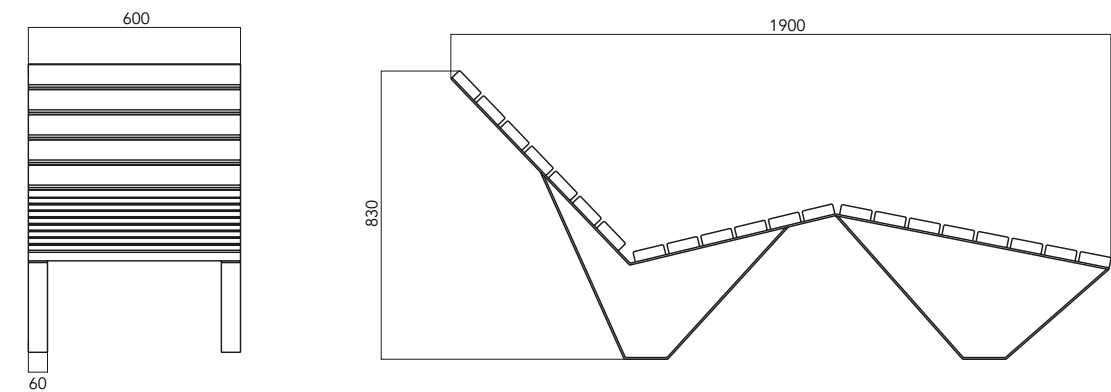
CODE UL - PNC - 076



EASY EVO

SDRAIO / RELAX

CODE UL - PNC - 077



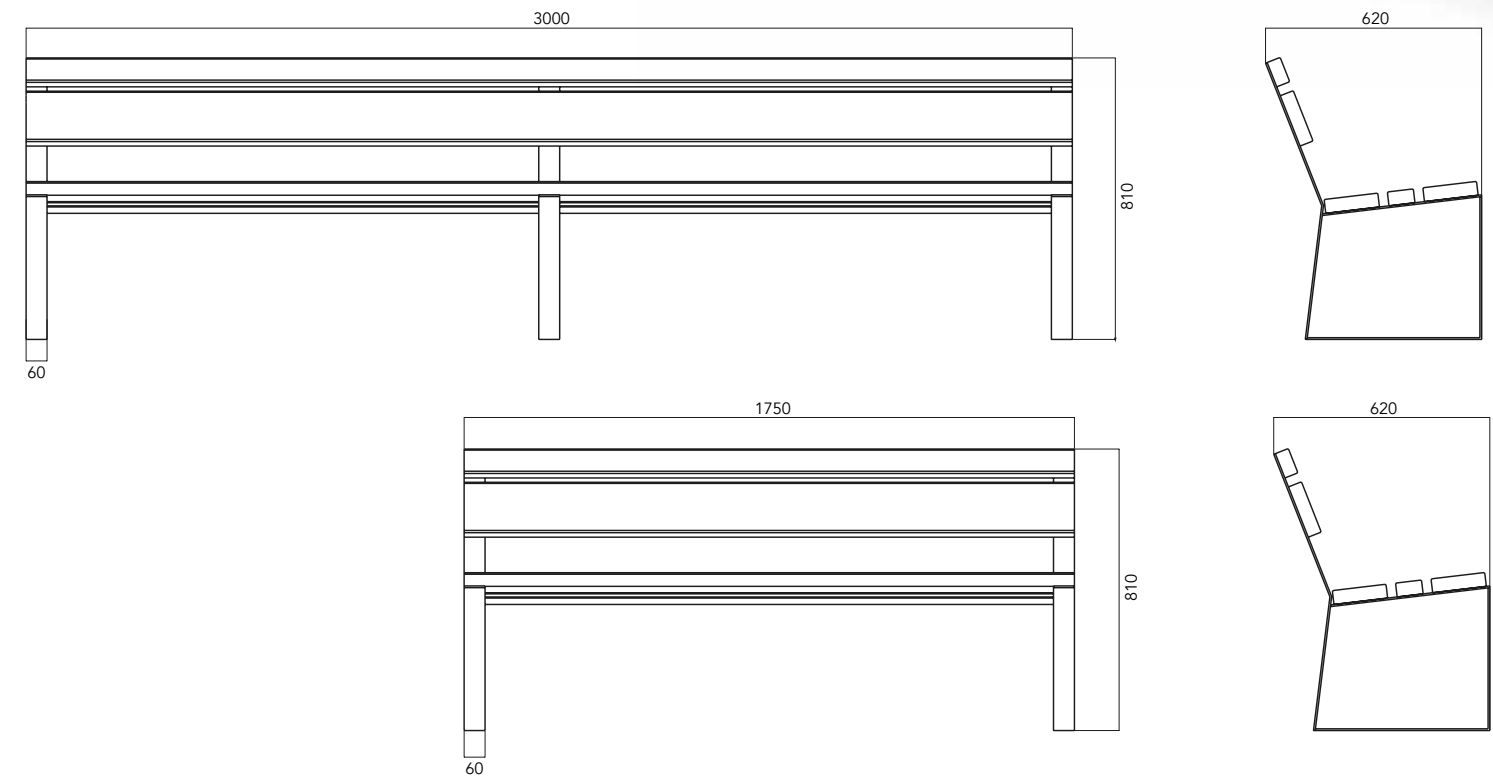
EASY EVO
PANCHINA / BENCH



CODE UL - PNC - 012



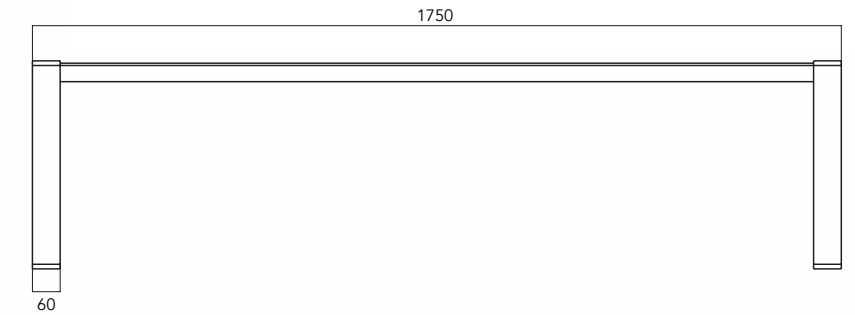
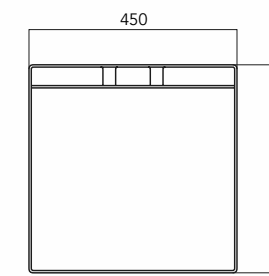
CODE UL - PNC - 012L



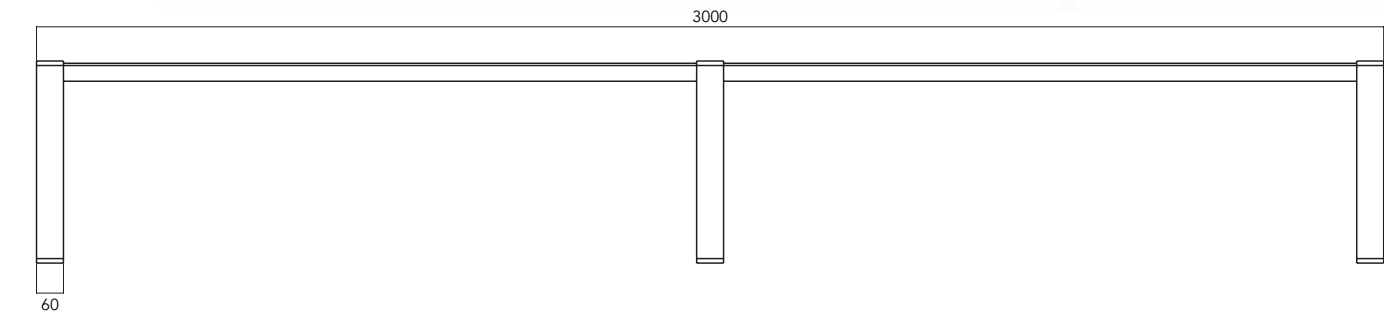
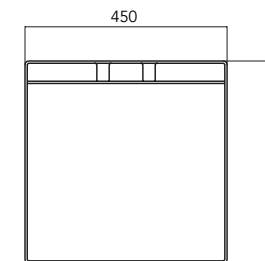
EASY EVO
PANCA / SEAT



CODE UL - PNC - 010



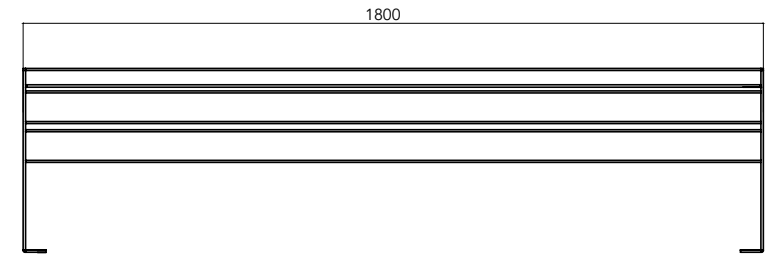
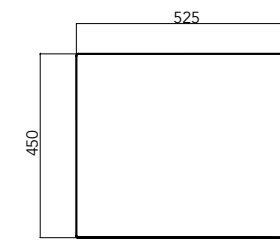
CODE UL - PNC - 010L



ETIC

PANCA / SEAT

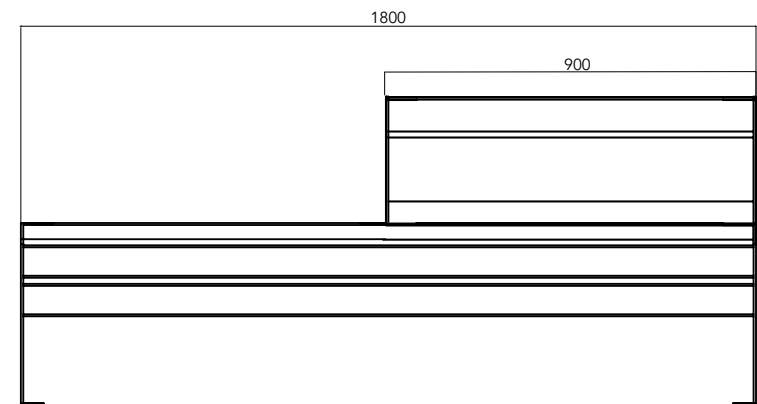
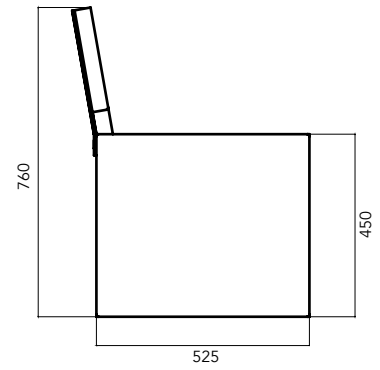
CODE UL - PNC - 030



ETIC 1

PANCHINA / BENCH

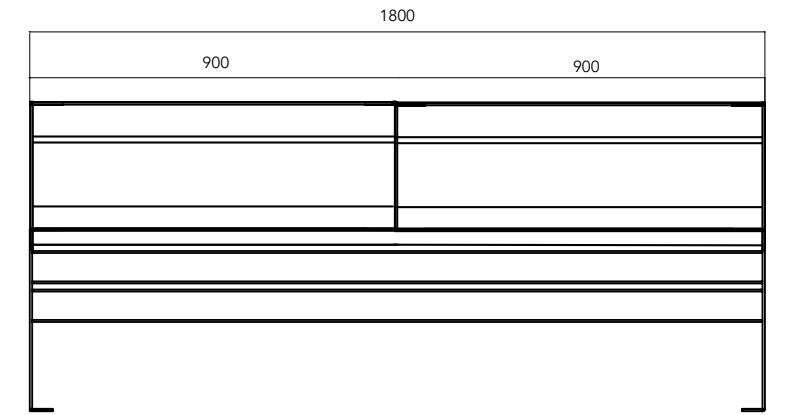
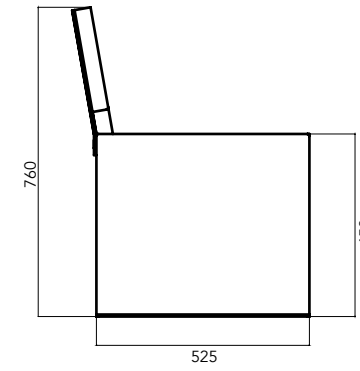
CODE UL - PNC - 031



ETIC 2

PANCHINA / BENCH

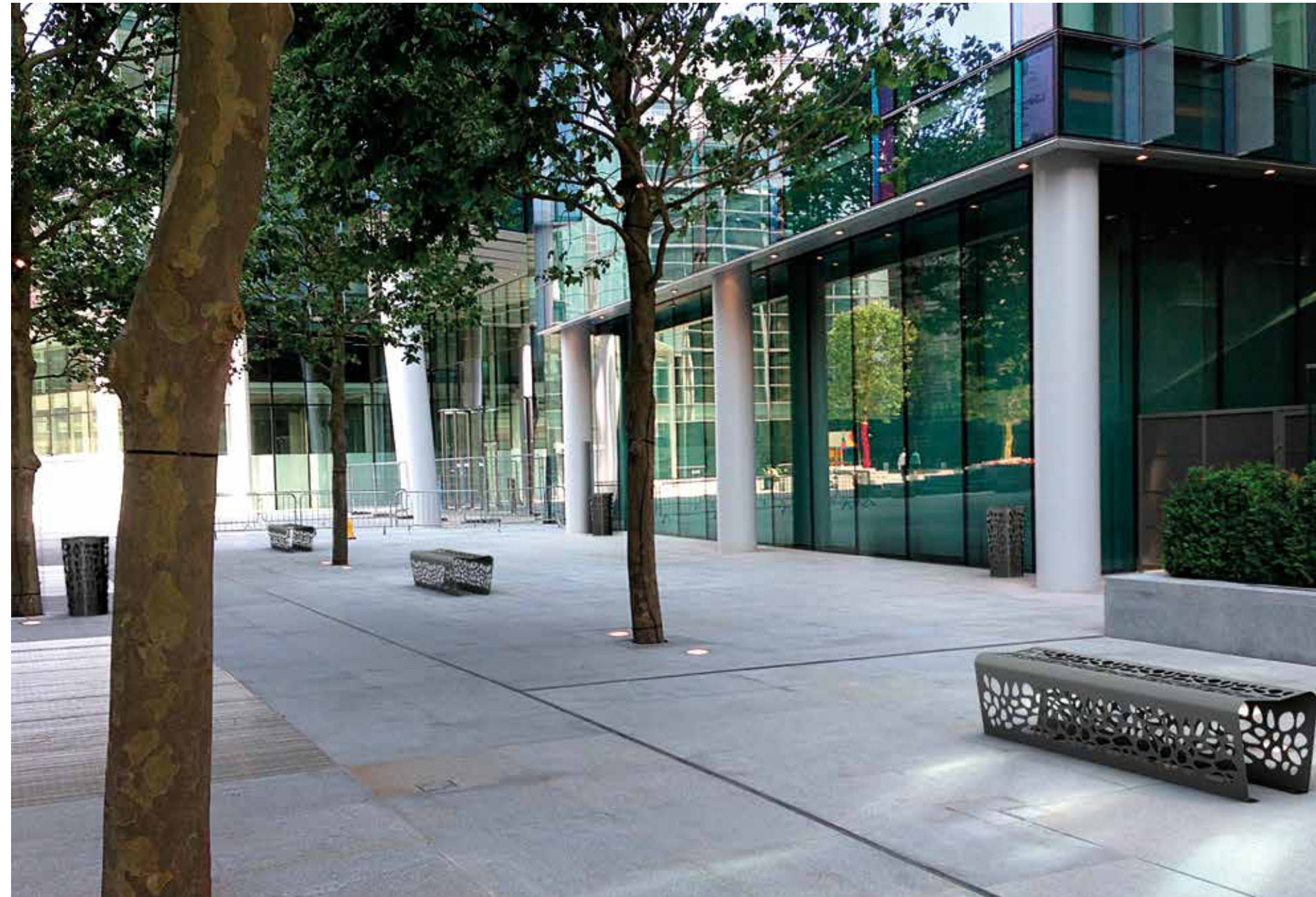
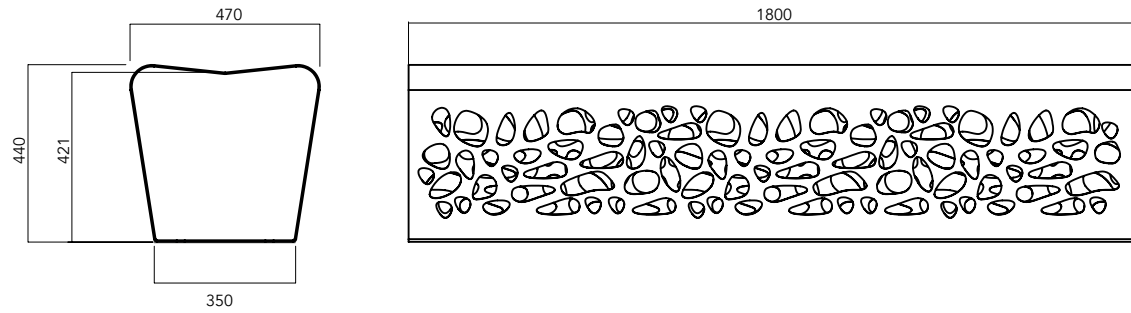
CODE UL - PNC - 032



SOFA CLAPS SEAT

PANCA / SEAT

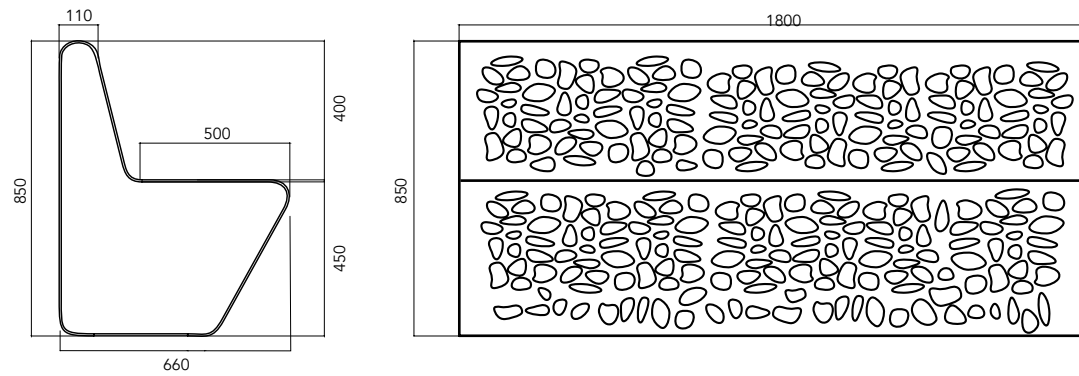
CODE UL - PNC - 039 - S



SOFA CLAPS

PANCHINA / BENCH

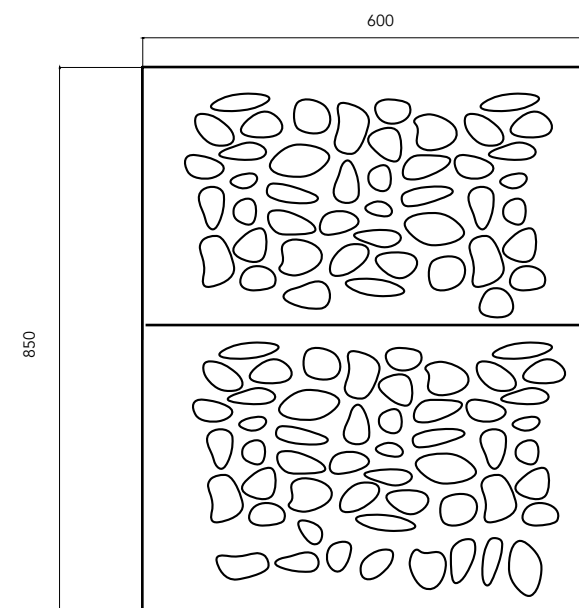
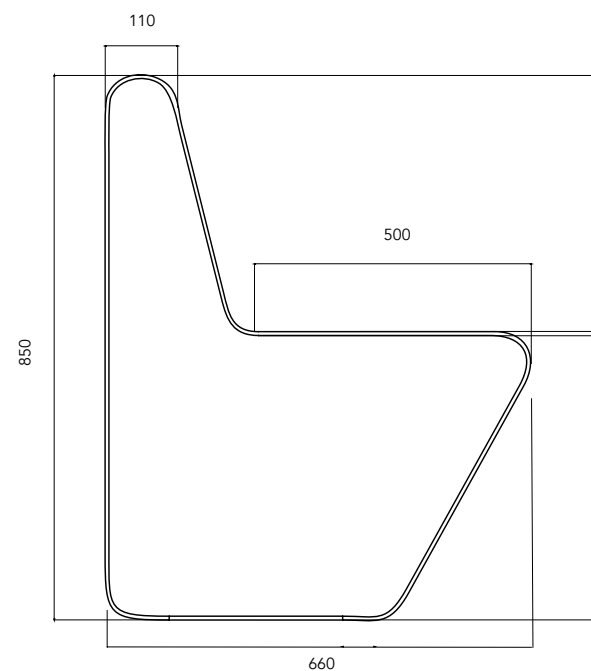
CODE UL - PNC - 039



SOFA CLAPS CHAIR

SEDIA / CHAIR

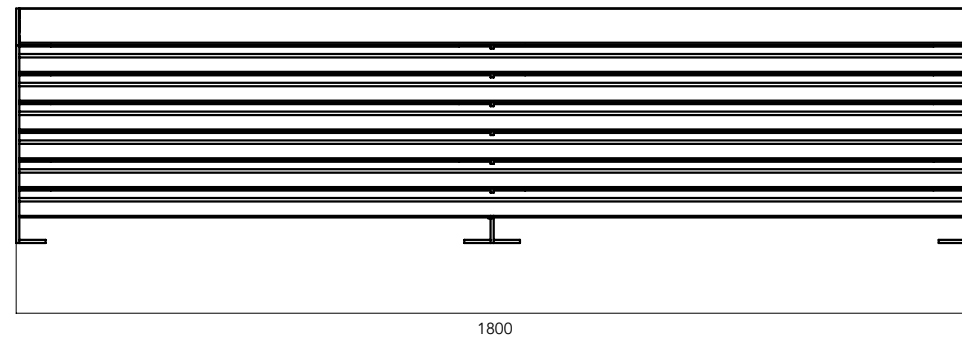
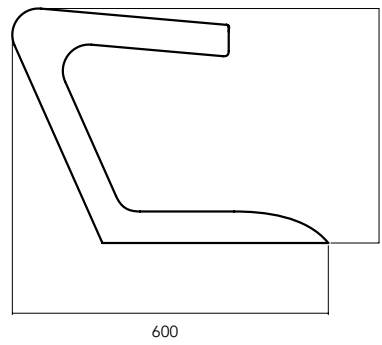
CODE UL - PNC - 078



WOODY

PANCA / SEAT

CODE UL - PNC - 002

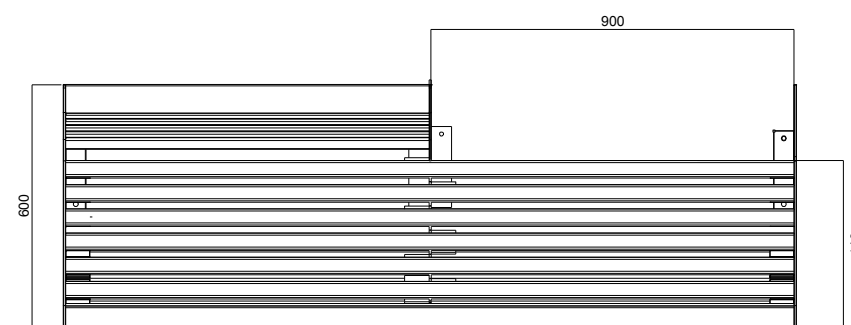
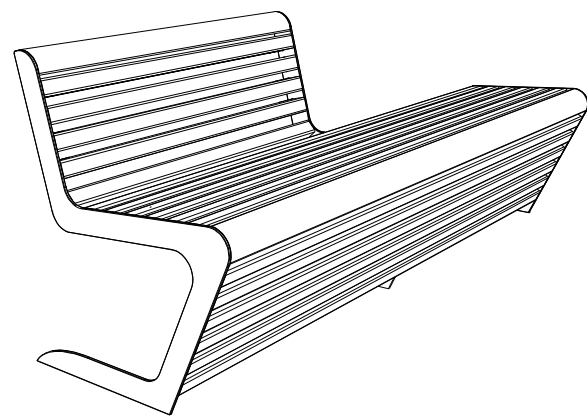
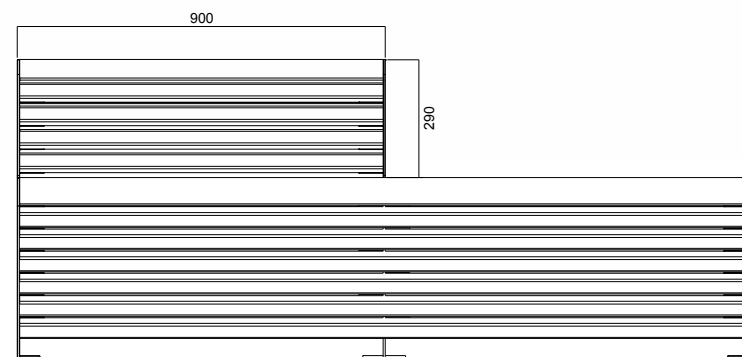
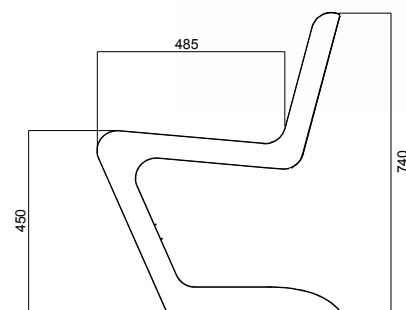




WOODY 50/50

PANCHINA / BENCH

CODE UL - PNC - 78

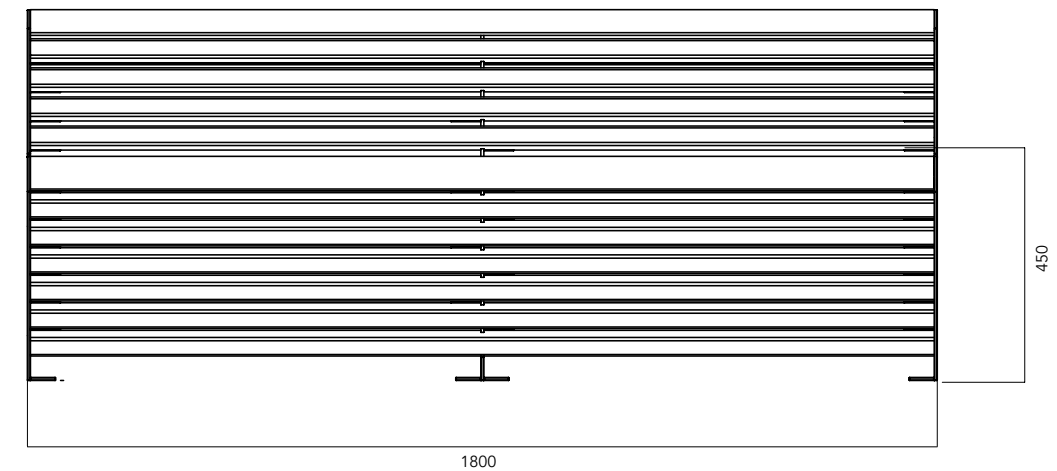
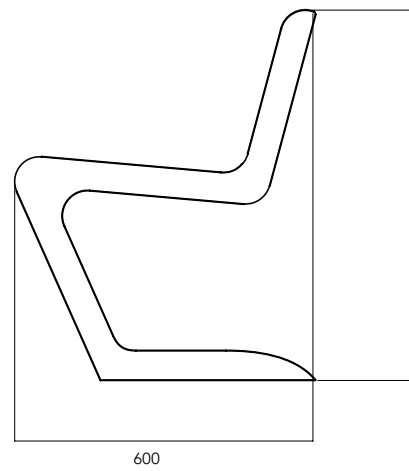




WOODY

PANCHINA / BENCH

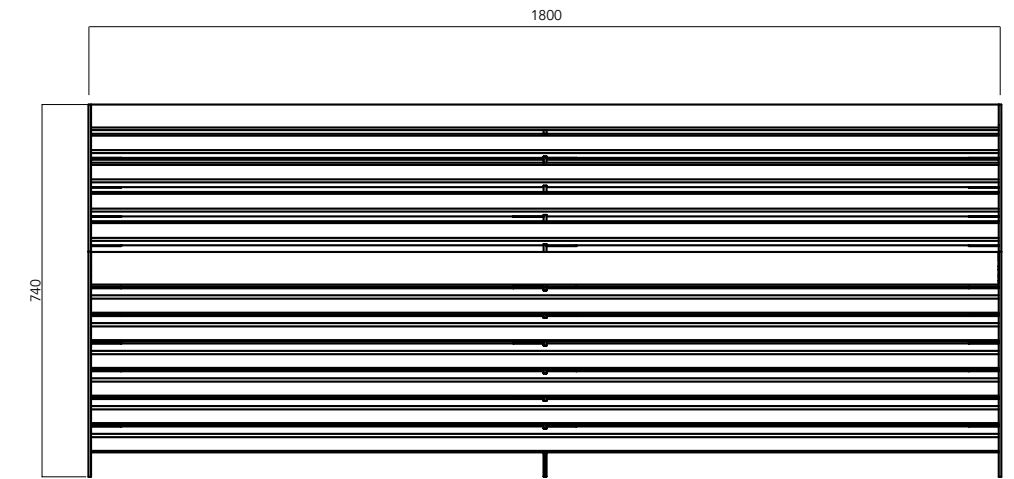
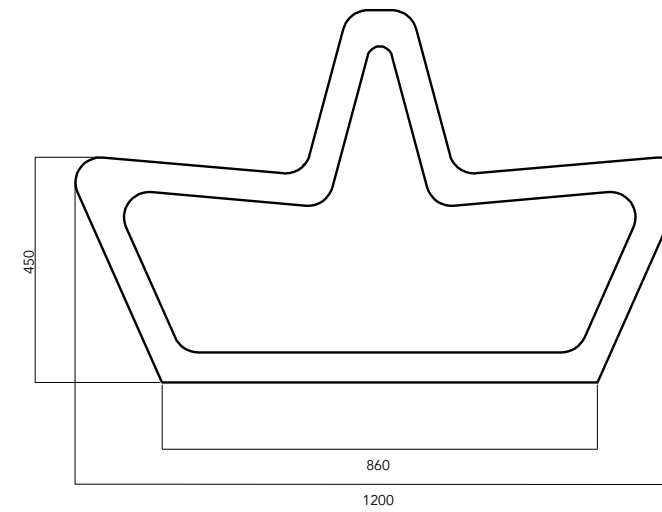
CODE UL - PNC - 001



WOODY TWINS

PANCHINA / BENCH

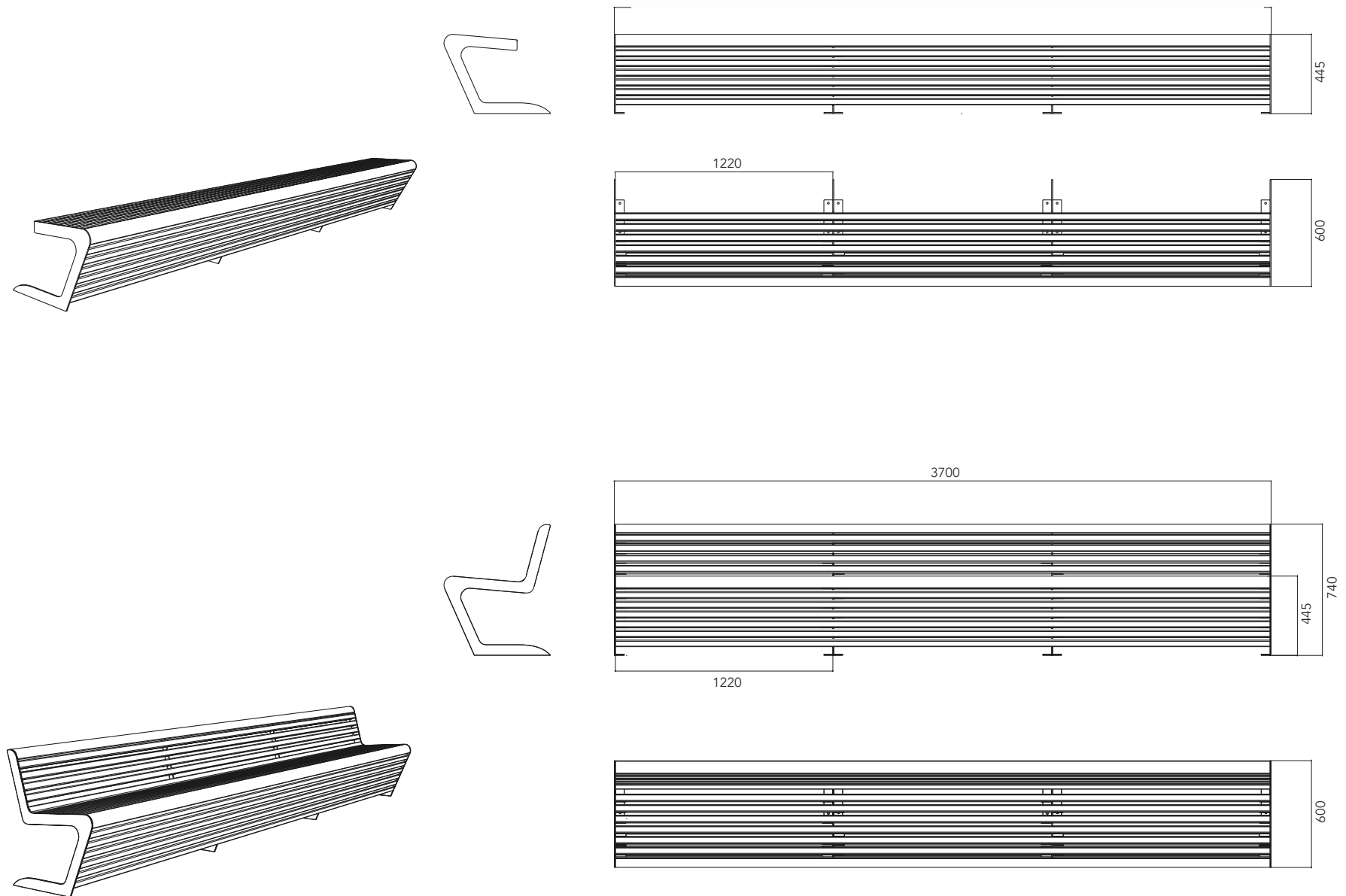
CODE UL - PNC - 080



WOODY 3.7

PANCHINA / BENCH - PANCA / SEAT

CODE BENCH UL - PNC - 079 CODE SEAT UL - PNC - 080



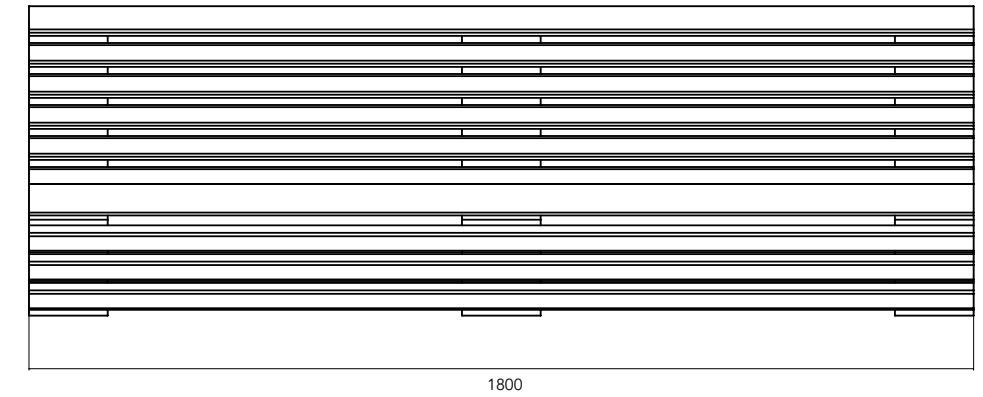
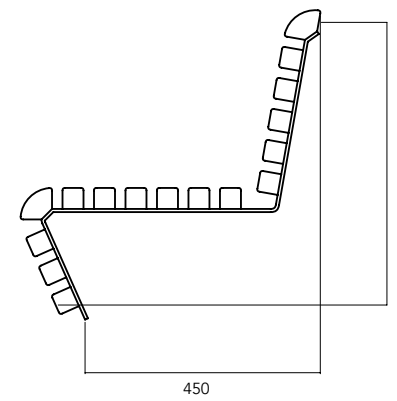
FLAT 1

PANCHINA / BENCH

CODE UL - PNC - 005



MONOLITHE
CODE UL - PNC - 043



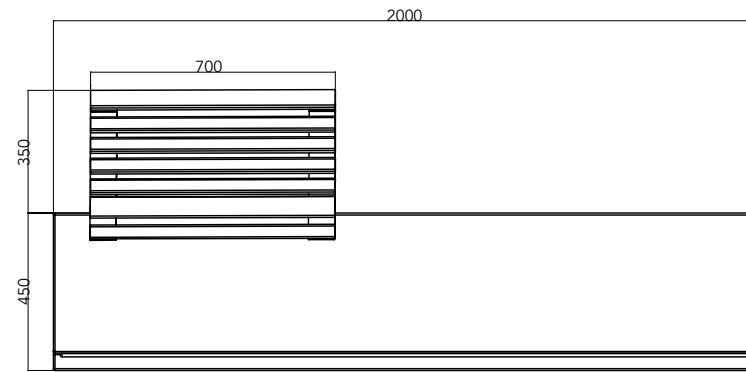
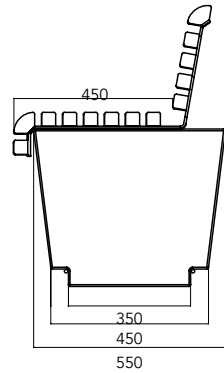
OPTIONAL
BRACCIOLI / ARMREST

FLAT EVO1

PANCHINA / BENCH

CODE UL - PNC - 081

OPTIONAL LUCE LED / LED LIGHT

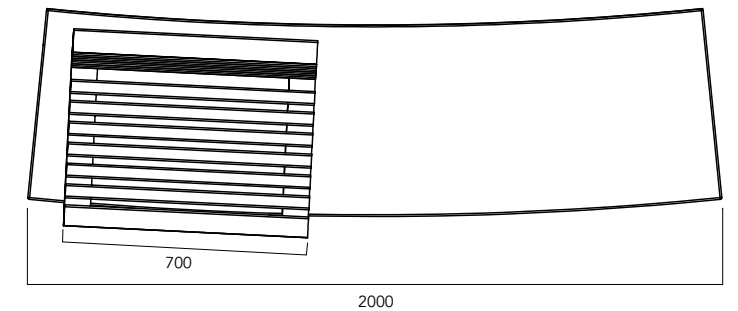
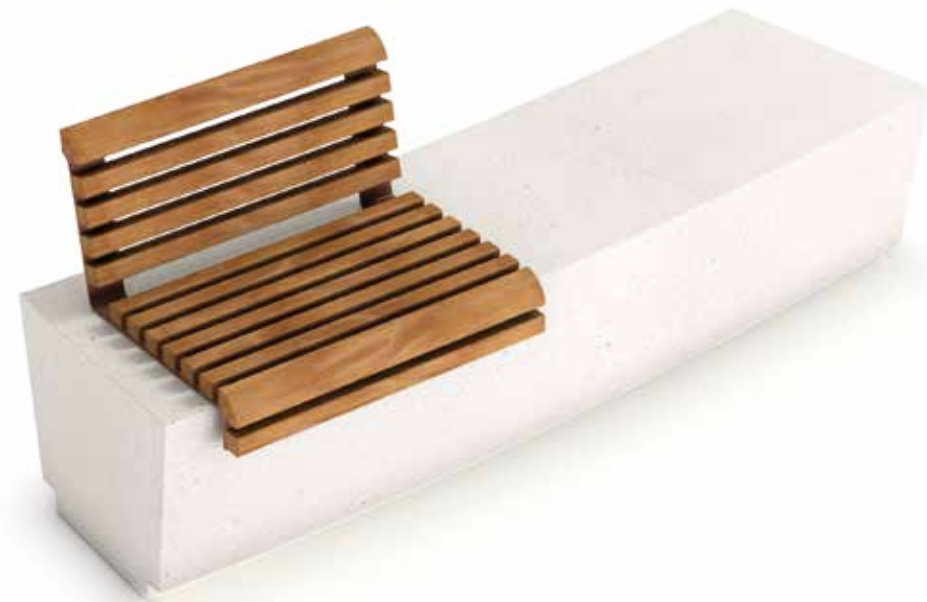
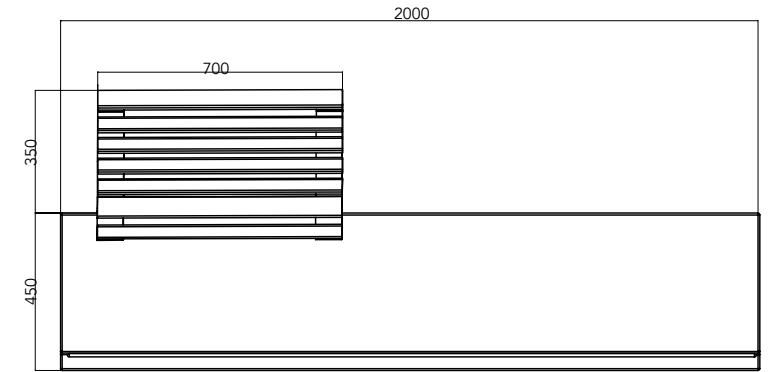
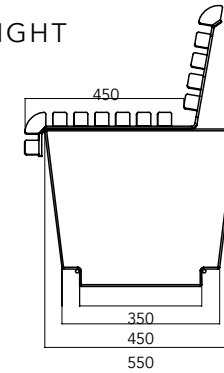


FLAT EVO2

PANCHINA / BENCH

CODE UL - PNC - 082

OPTIONAL LUCE LED / LED LIGHT

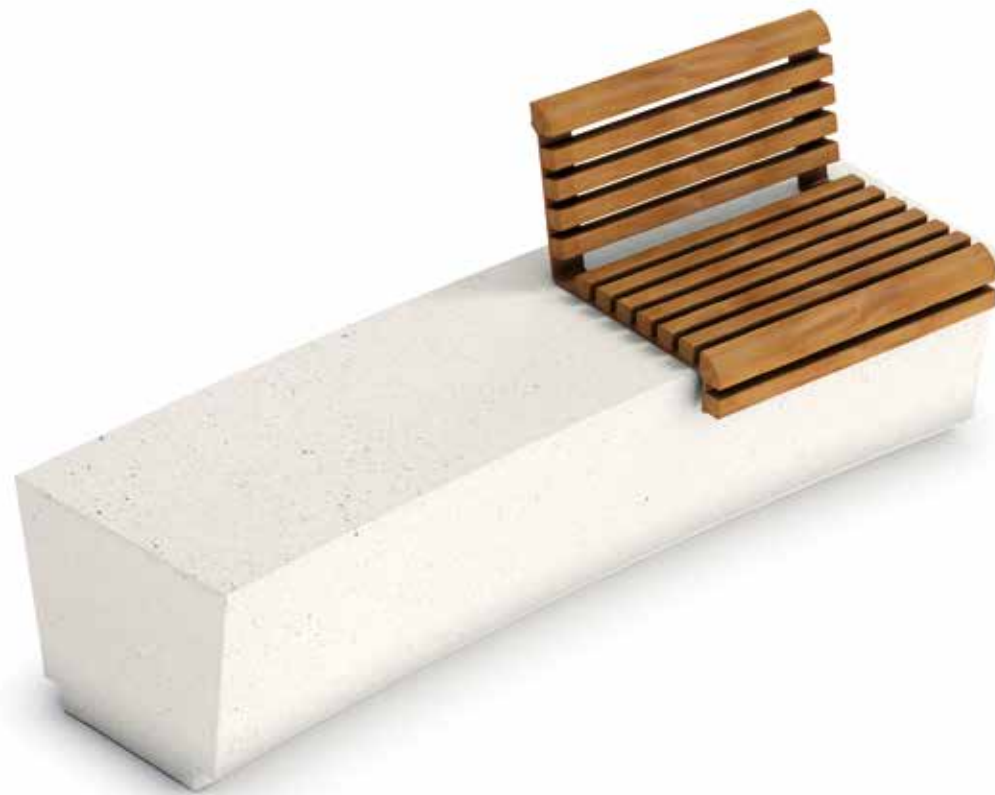
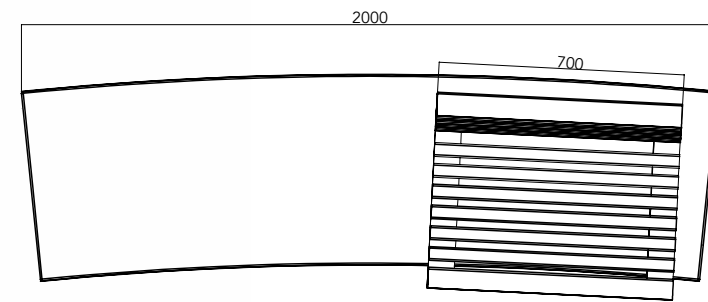
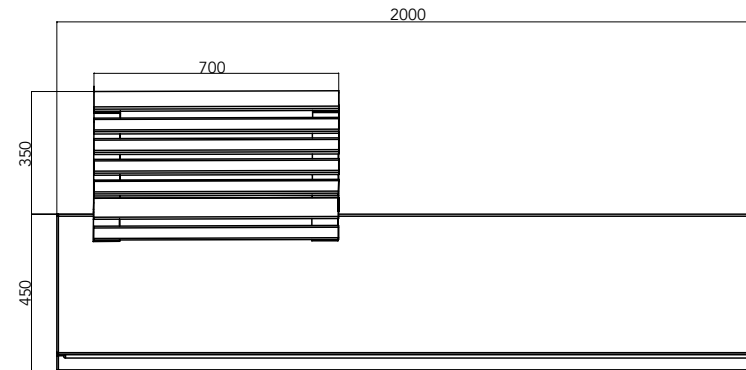
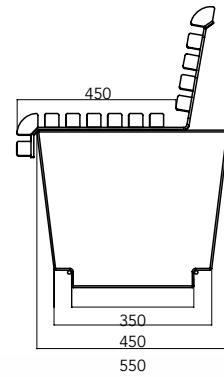


FLAT EVO3

PANCHINA / BENCH

CODE UL - PNC - 083

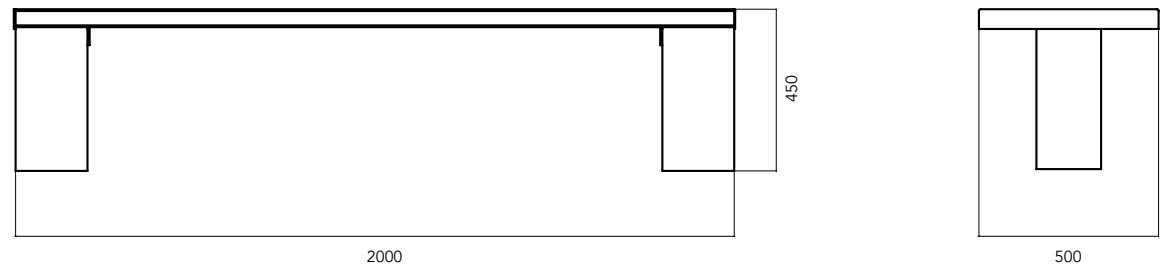
 OPTIONAL LUCE LED / LED LIGHT



LIBERTY

PANCA / SEAT

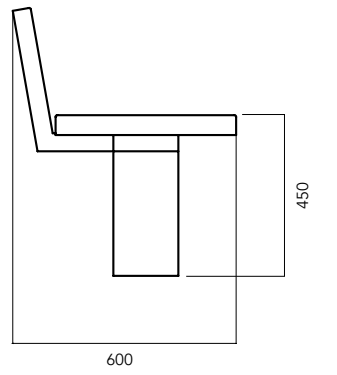
CODE UL - PNC - 004



LIBERTY

PANCHINA / BENCH

CODE UL - PNC - 003





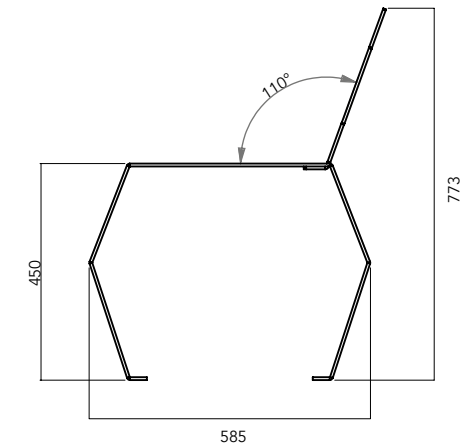
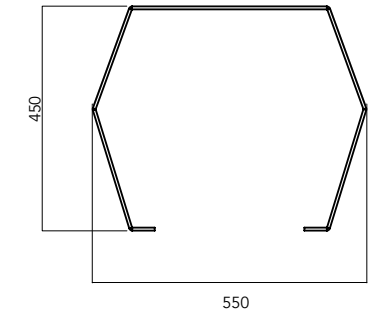
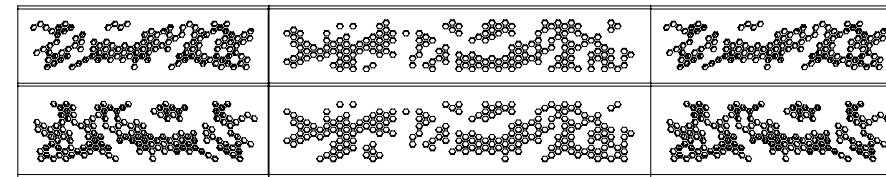
—
ZIG ZAG

ZIG ZAG

CODE B UL - PNC - 024



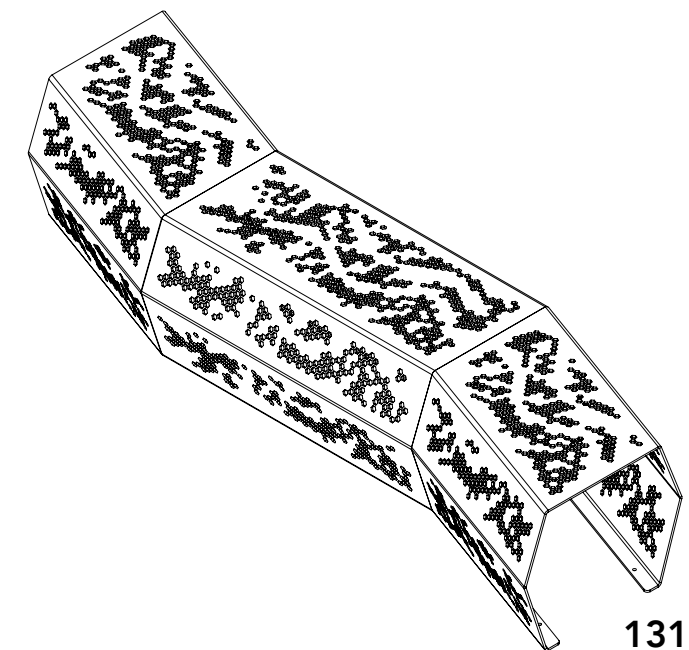
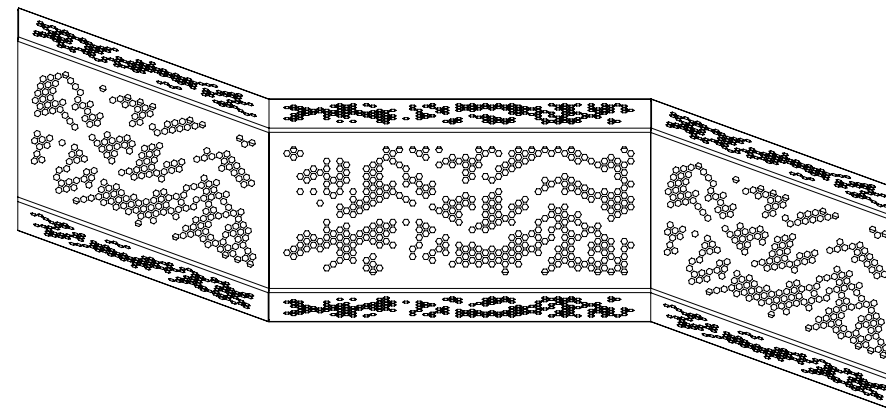
CODE D UL - PNC - 026



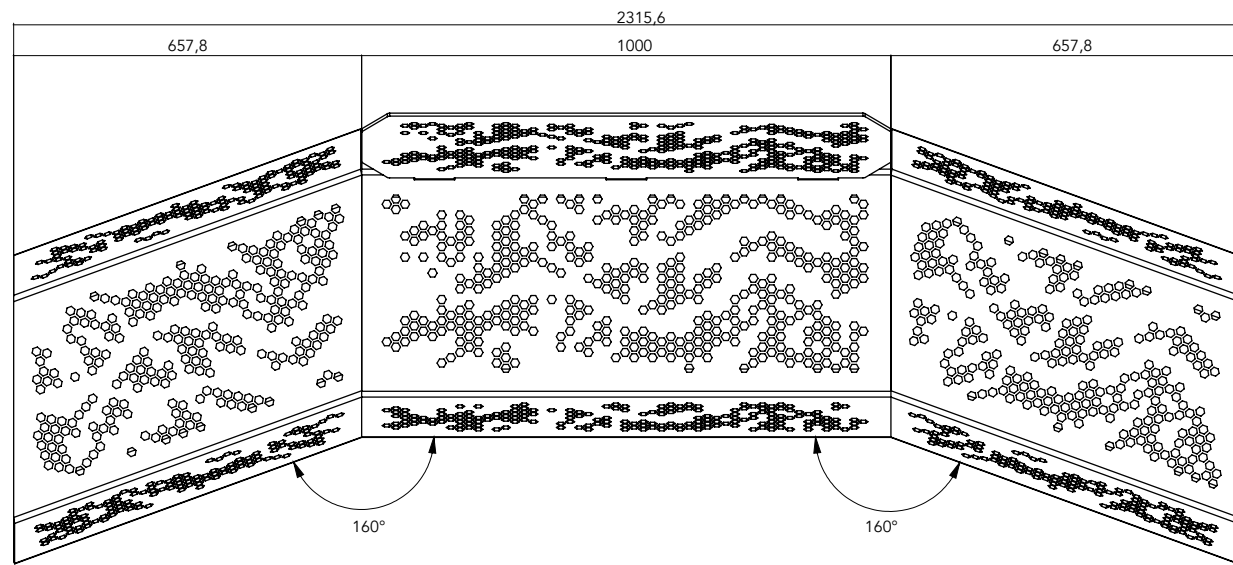
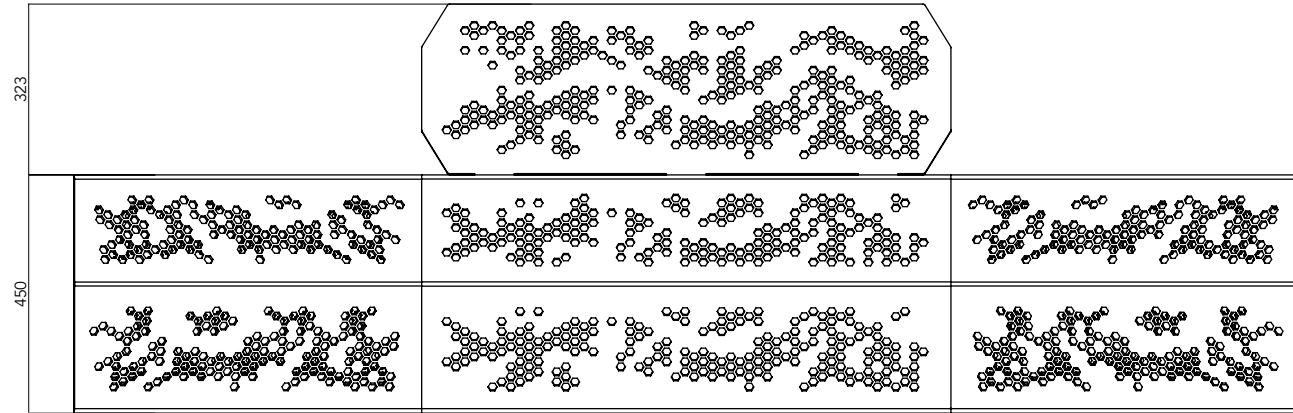
CODE A UL - PNC - 023



CODE C UL - PNC - 025

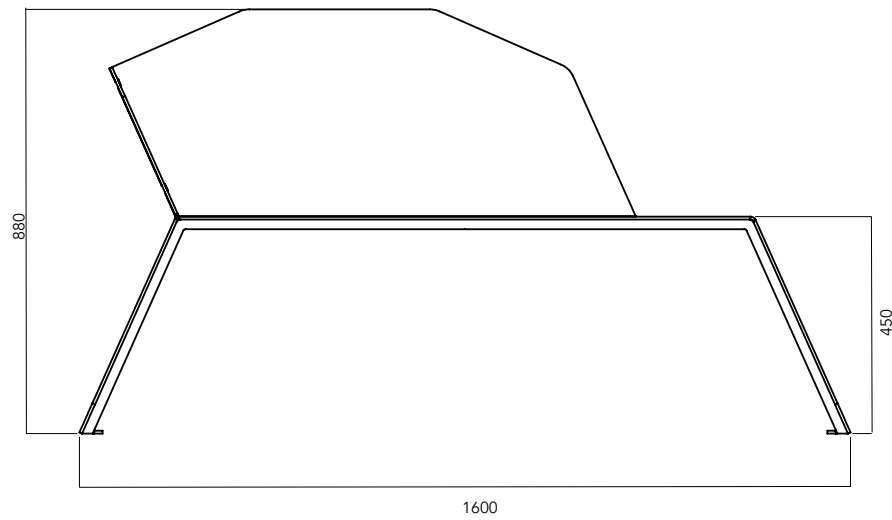


ZIG ZAG

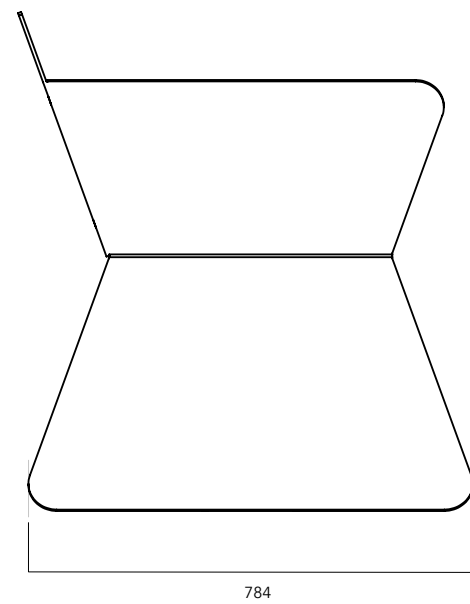




— EGO A



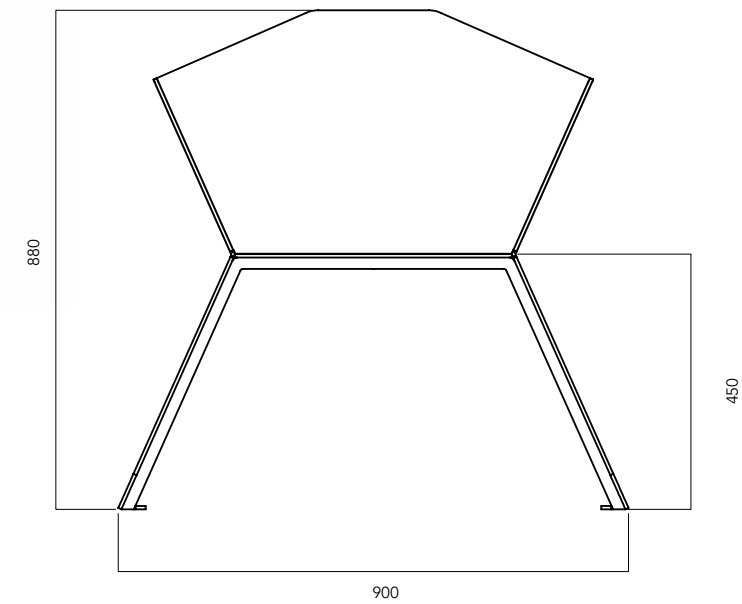
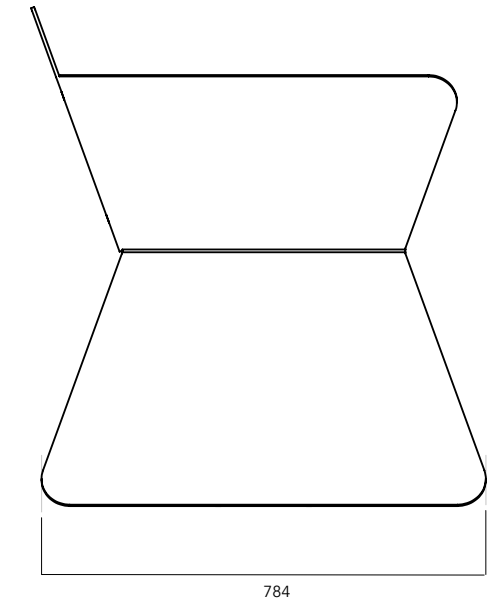
CODE T (TEXTURE) UL - PNC - 033 - E



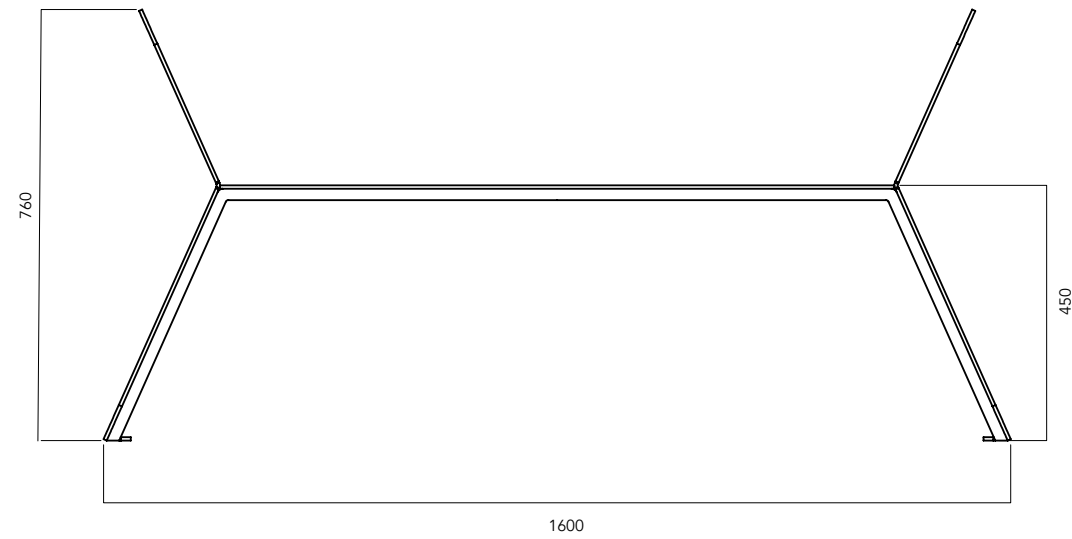
— EGO B



CODE T (TEXTURE) UL - PNC - 035 - E

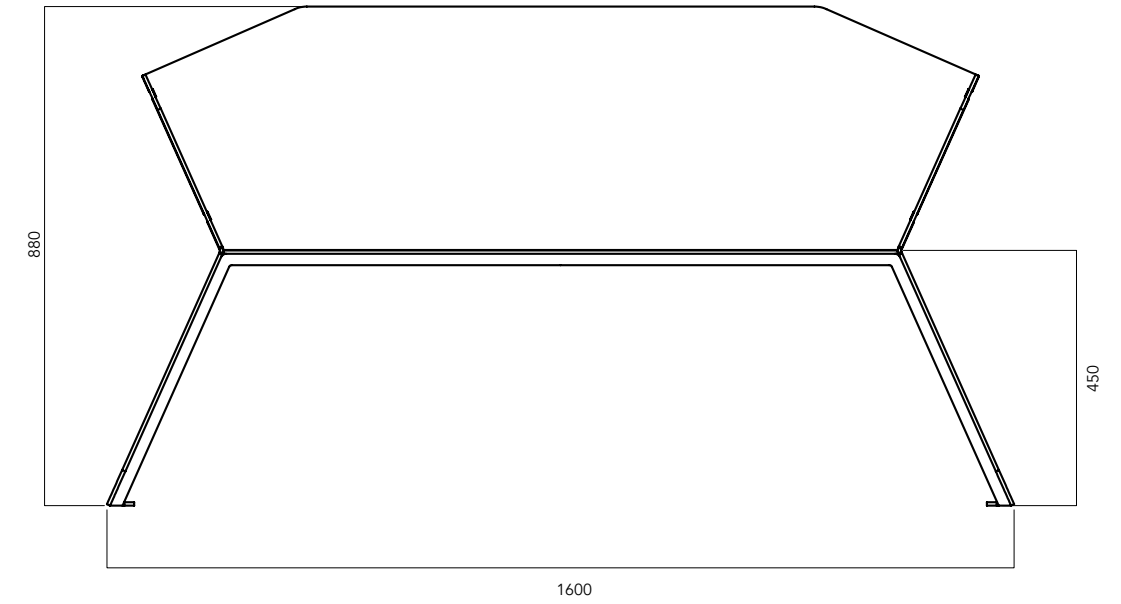


— EGO C

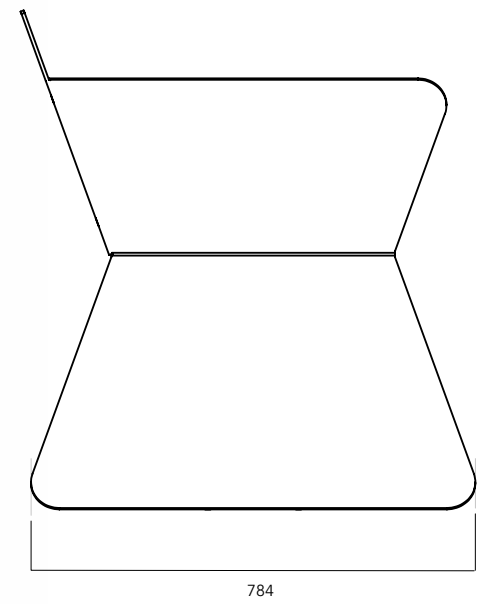
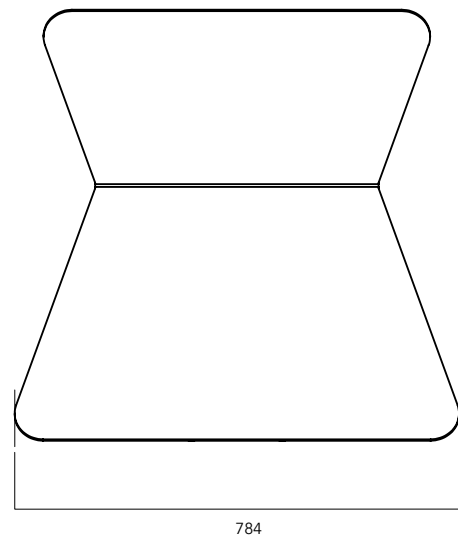


CODE T (TEXTURE) UL - PNC - 037 - E

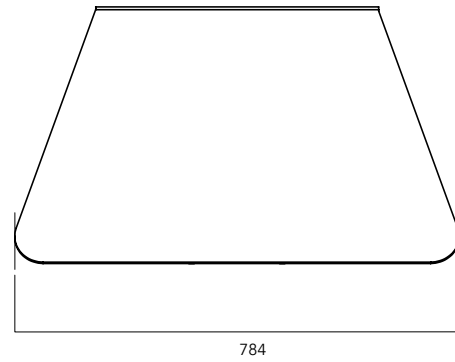
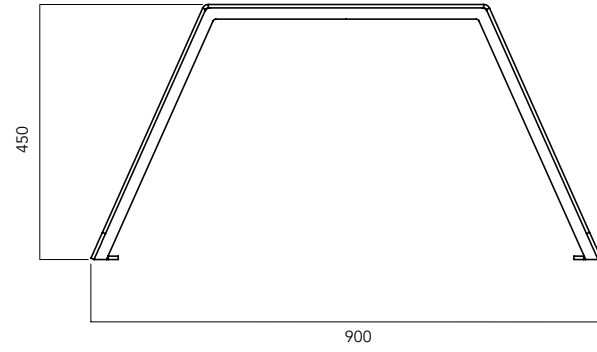
— EGO D



CODE T (TEXTURE) UL - PNC - 034 - E

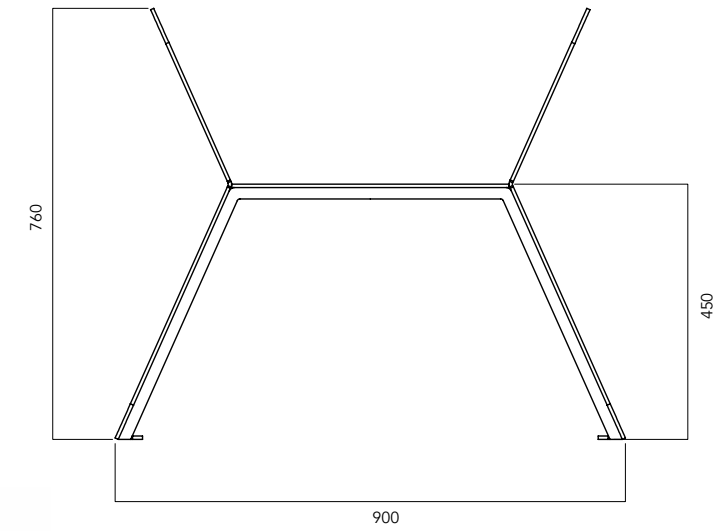


—
EGO E

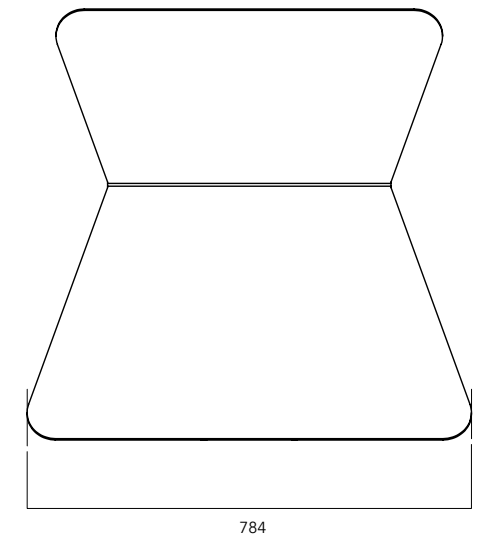


CODE T (TEXTURE) UL - PNC - 038 - E

—
EGO F



CODE T (TEXTURE) UL - PNC - 036 - E



784

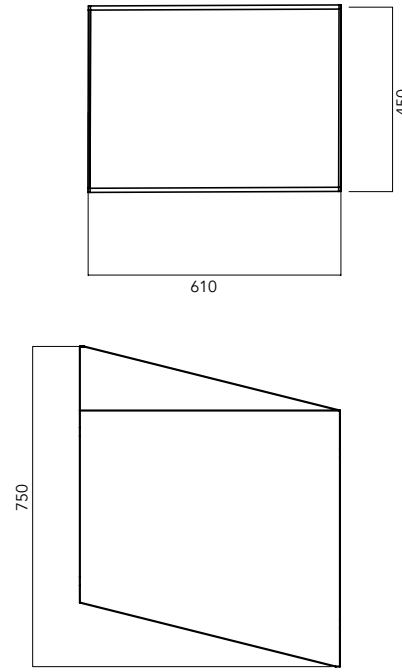


CLUB

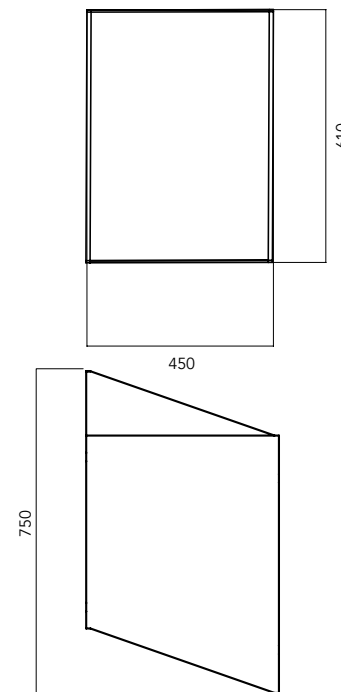
SEDUTA / SEAT



CODE A UL - PNC - 009A



CODE B UL - PNC - 009B



URBAN SHELTER

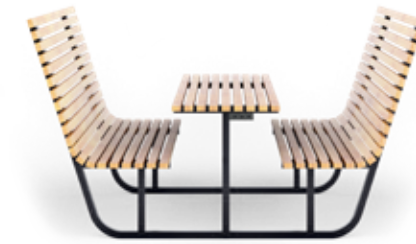
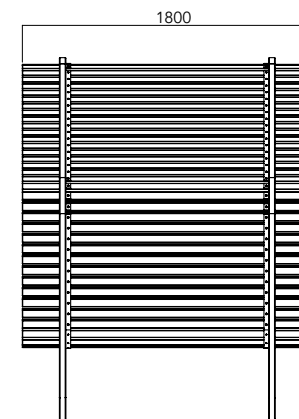
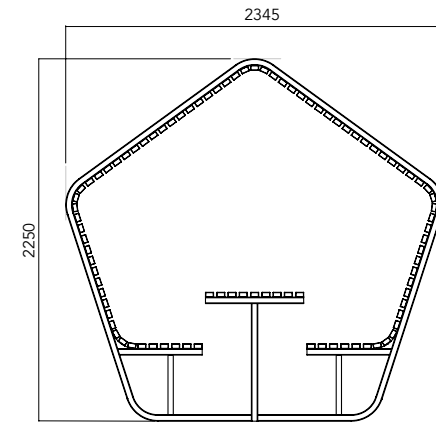
DESIGNED BY MARTIN SOLEM

OPTIONAL LUCE LED / LED LIGHT

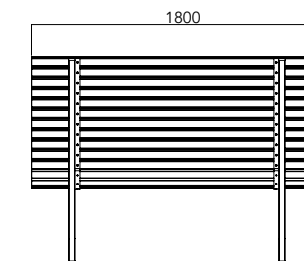
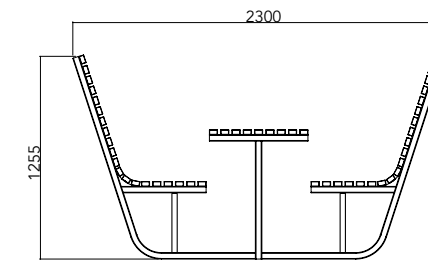
OPTIONAL USB



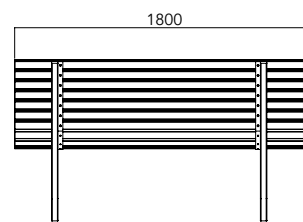
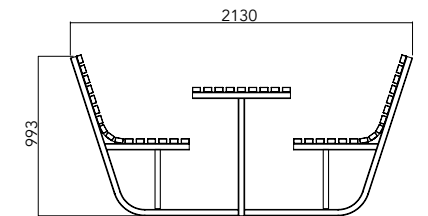
URBAN SHELTER TABLE
CODE A UL - PNC - 052



URBAN PIC NIC L
CODE UL - PNC - 053



URBAN PIC NIC M
CODE UL - PNC - 054





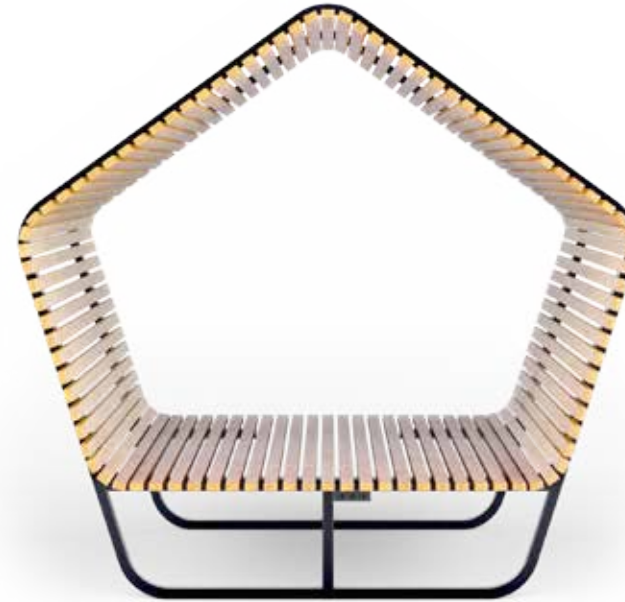
URBAN RELAX M
CODE UL - PNC - 057



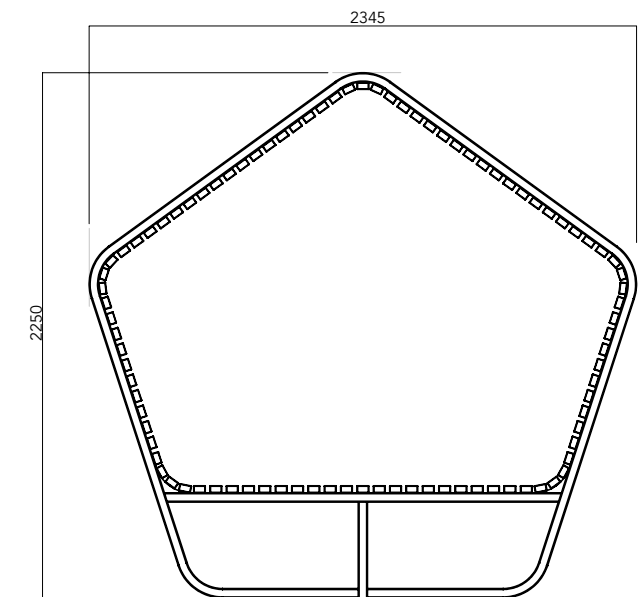
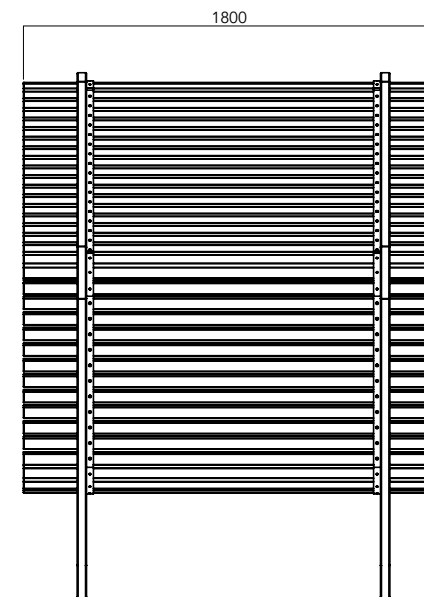
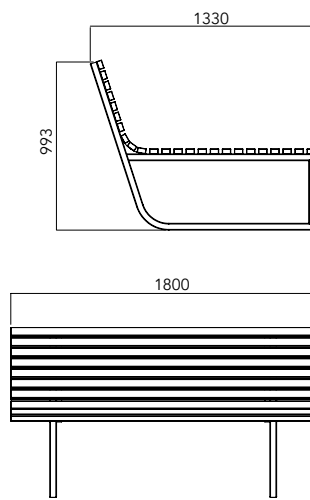
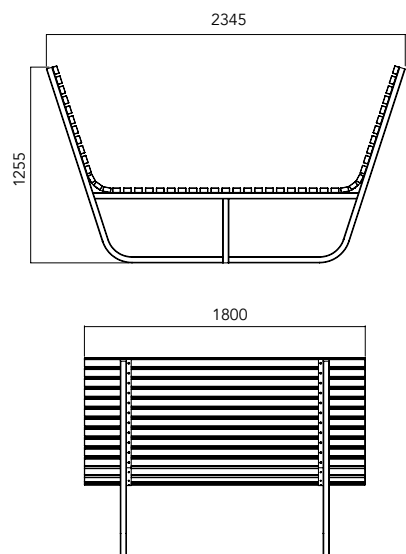
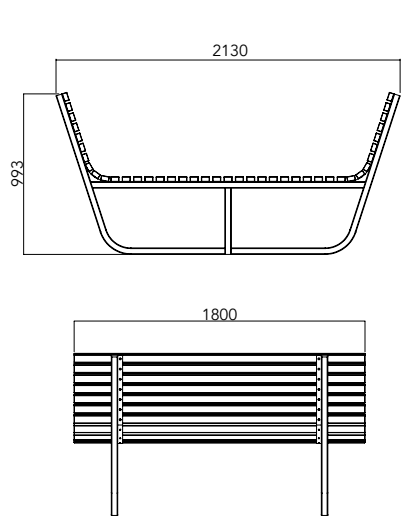
URBAN RELAX L
CODE UL - PNC - 056



URBAN RELAX S
CODE UL - PNC - 058



URBAN SHELTER RELAX
CODE UL - PNC - 055





—
MALL COLLECTION



—
MALL COLLECTION

MALL

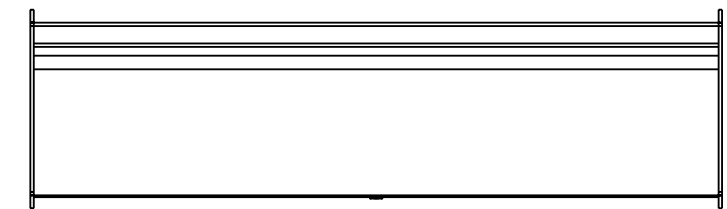
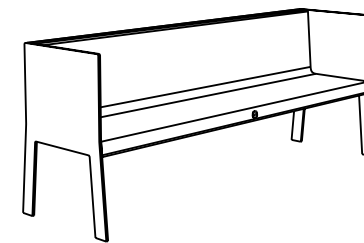
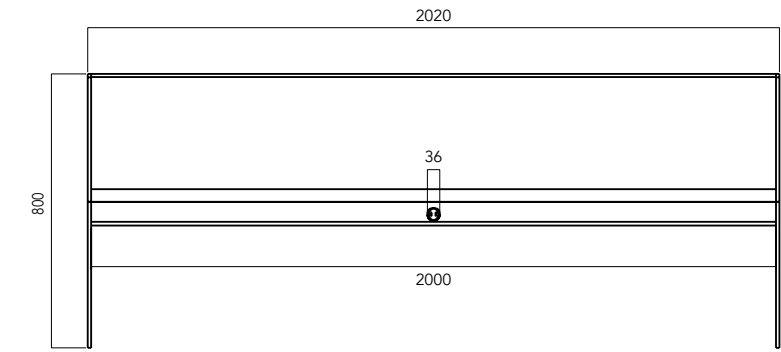
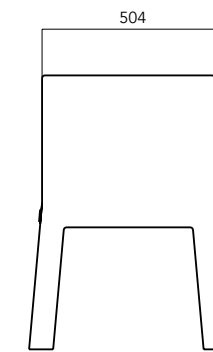
PANCA e PANCHINA / SEAT and BENCH



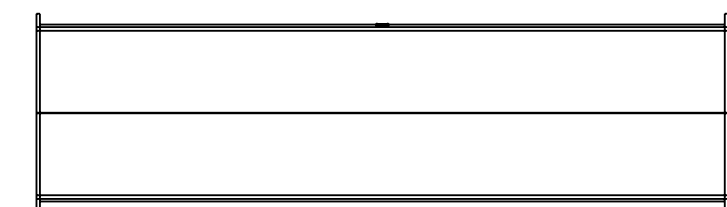
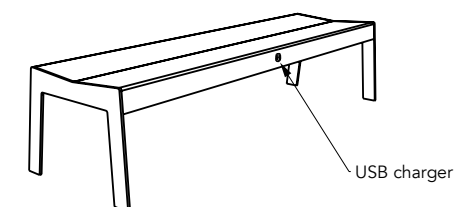
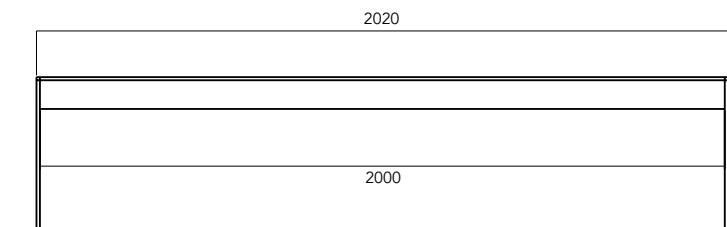
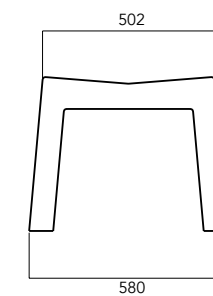
OPTIONAL USB



CODE UL - PNC - 081



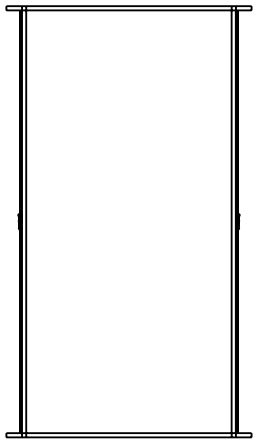
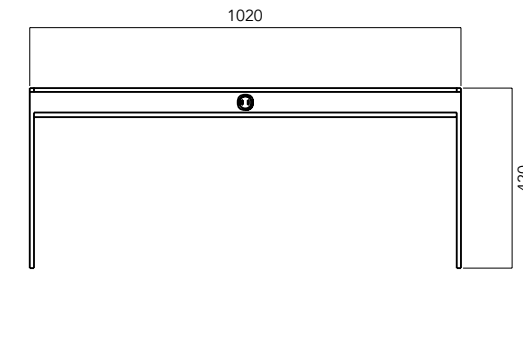
CODE UL - PNC - 082



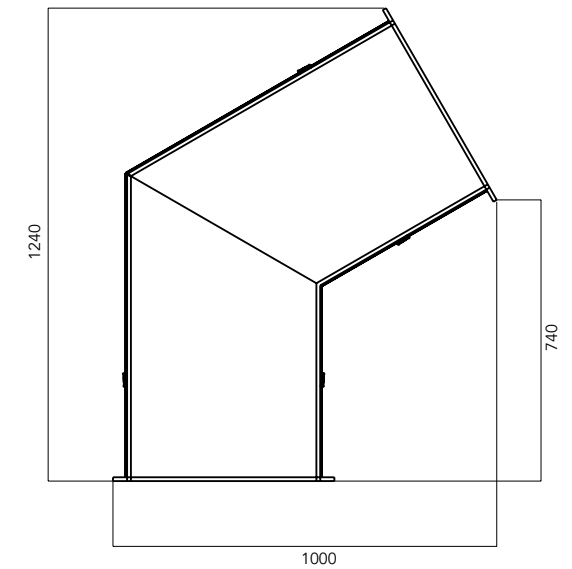
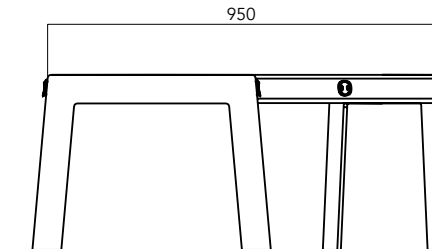
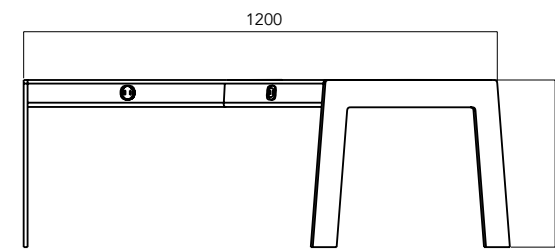
MALL

TAVOLINO e TAVOLINO 60 / TABLE and TABLE 60

CODE UL - PNC - TVL1



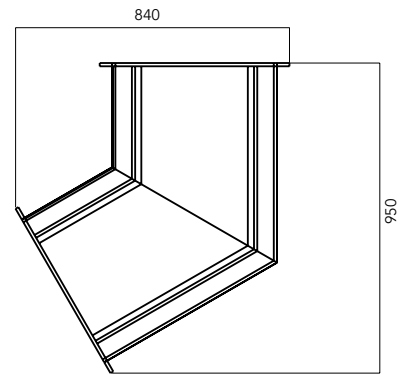
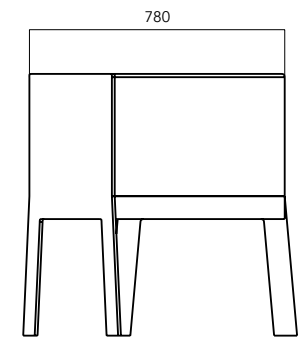
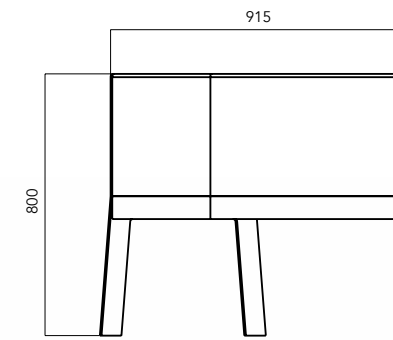
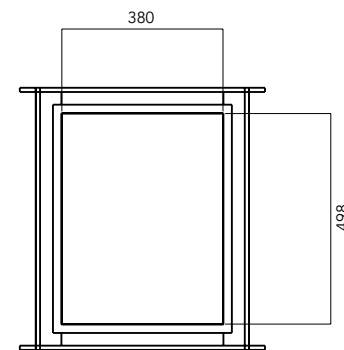
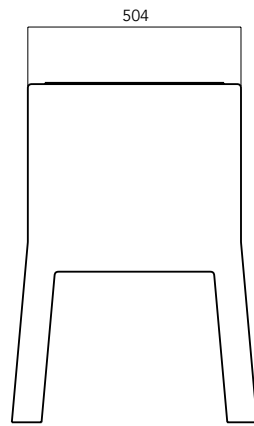
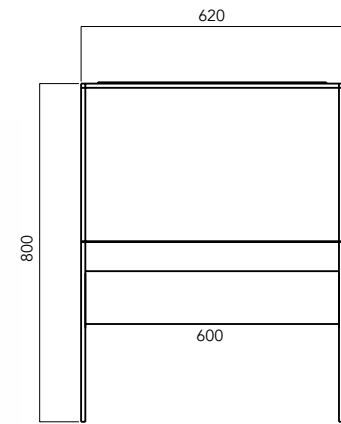
CODE UL - PNC - TVL2



MALL

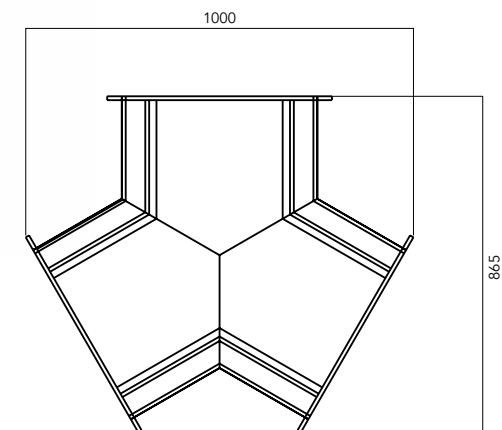
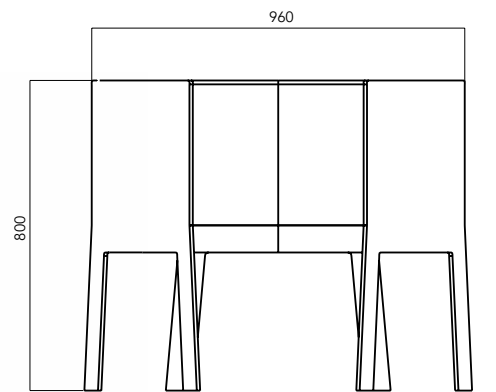
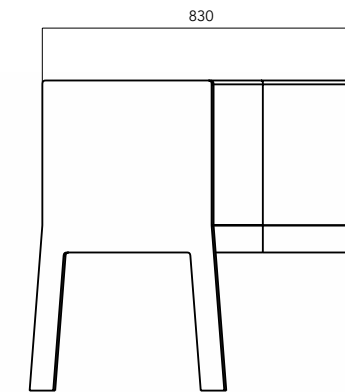
FIORIERA / PLANTER

CODE UL - PNC - FRR84



FIORIERA 60 / PLANTER 60

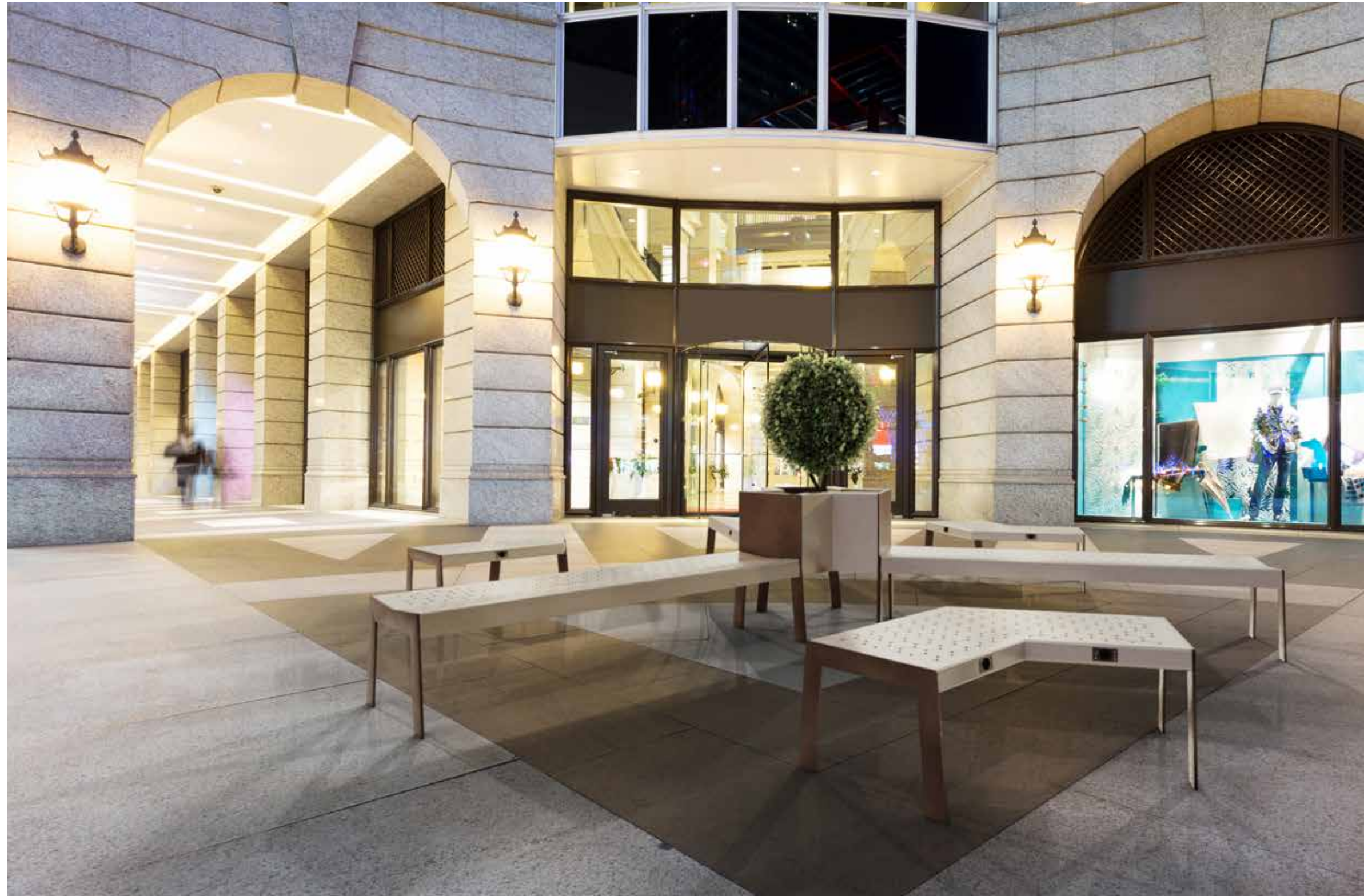
CODE UL - PNC - FRR85



FIORIERA 3 VIE / PLANTER 3 VIE

CODE UL - PNC - FRR86





—
MALL ELES

MALL ELES

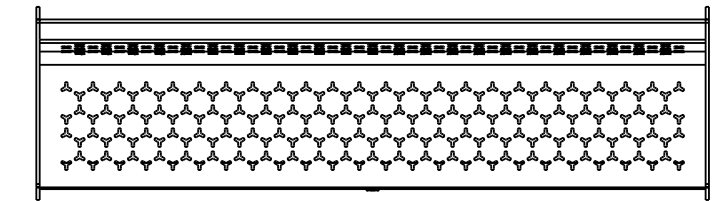
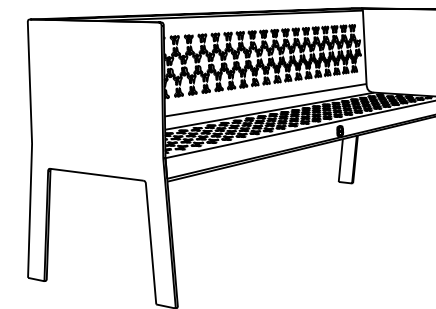
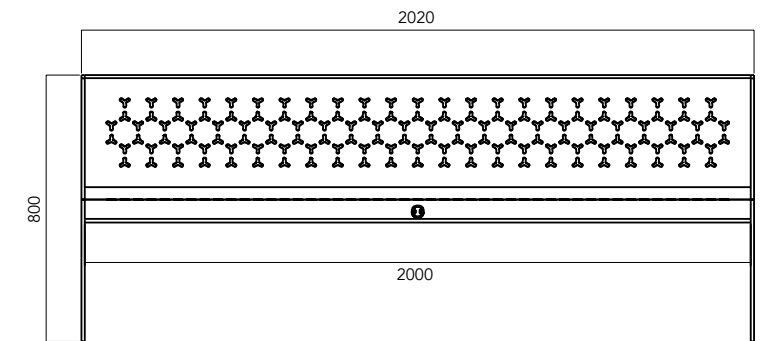
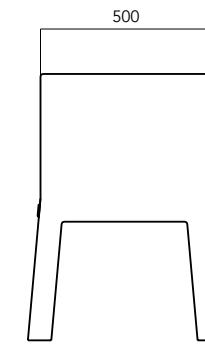
PANCA e PANCHINA / SEAT and BENCH



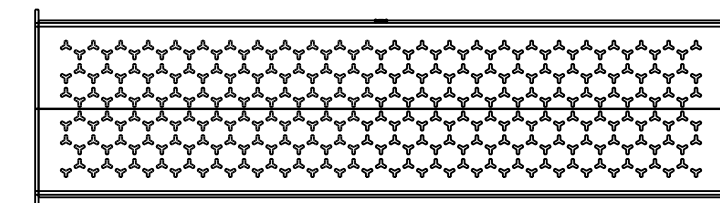
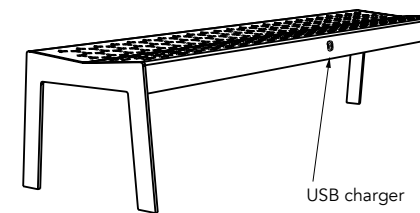
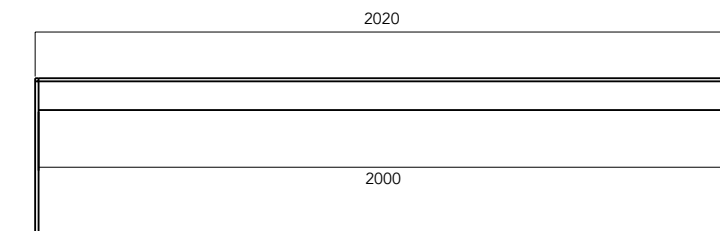
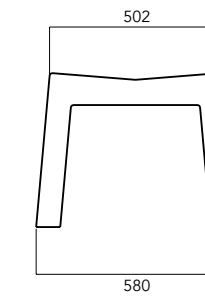
OPTIONAL USB



CODE UL - PNC - 081EL



CODE UL - PNC - 082EL

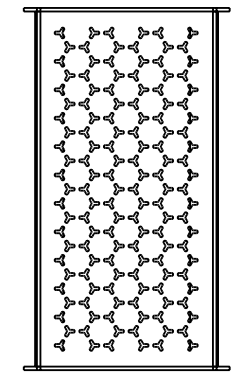
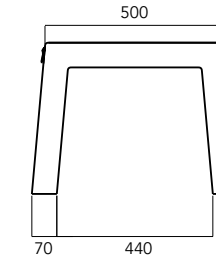
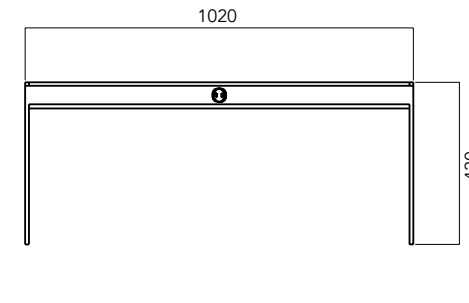


MALL ELES

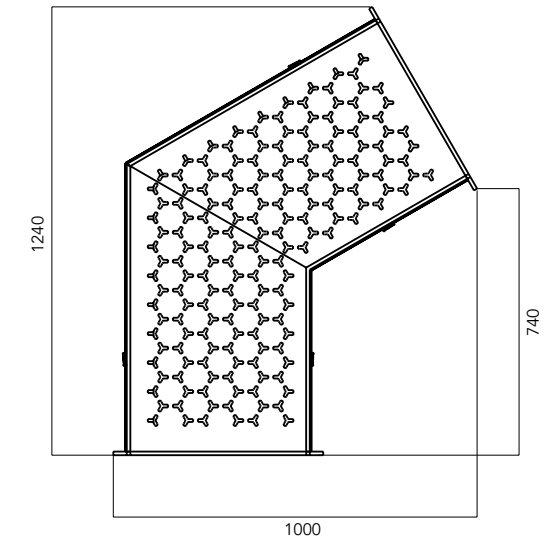
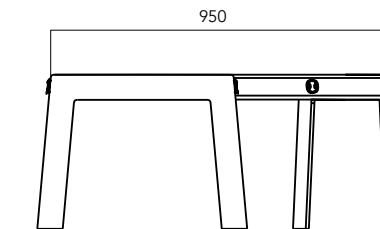
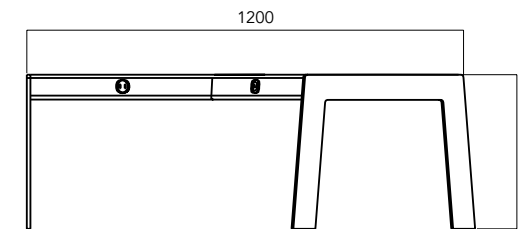
TAVOLINO e TAVOLINO 60 / TABLE and TABLE 60



CODE UL - PNC - TVL1EL

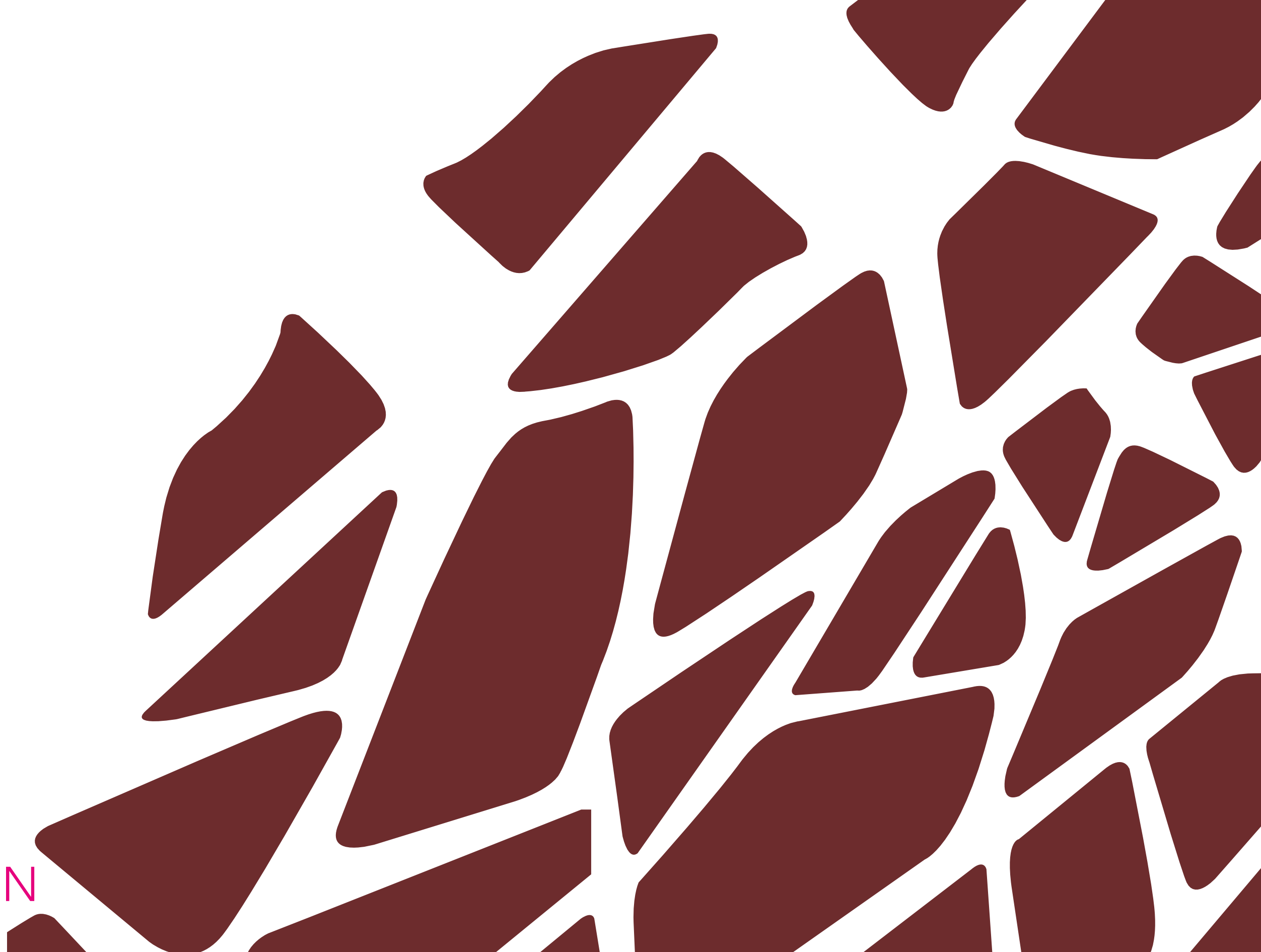


CODE UL - PNC - TVL2EL





—
MALL ELES

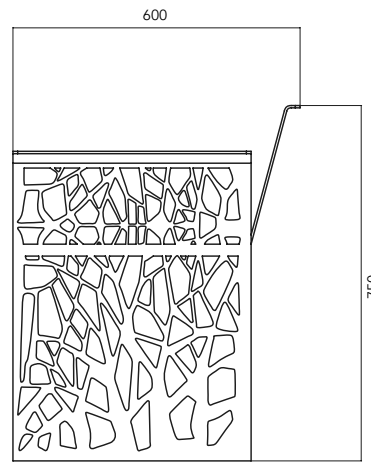


—
RAMAGE COLLECTION

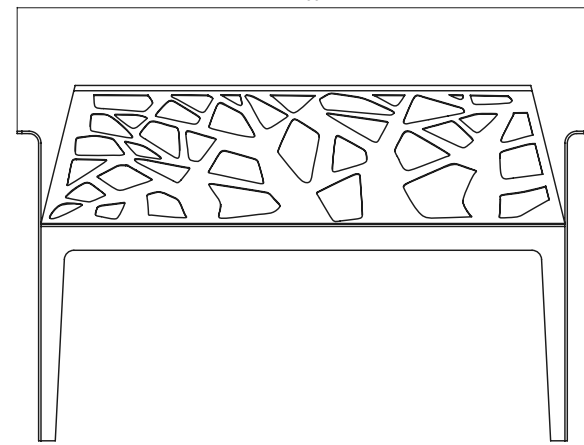


—
RAMAGE COLLECTION

CODE UL - PNC - 83

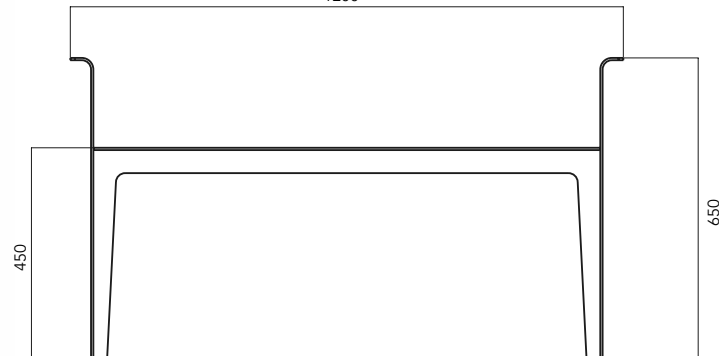


1200



CODE UL - PNC - 84

1200



RAMAGE

PANCA e PANCHINA / SEAT and BENCH



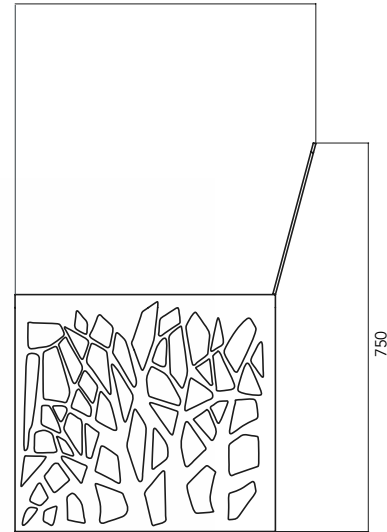
RAMAGE

SEDIA / CHAIR

CODE UL - PNC - 85

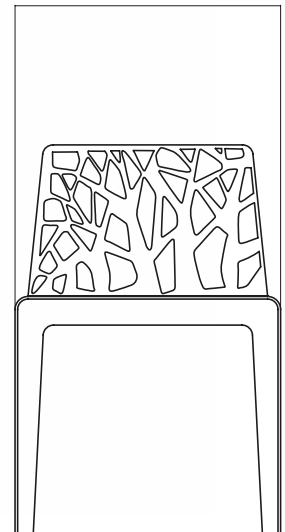


600



750

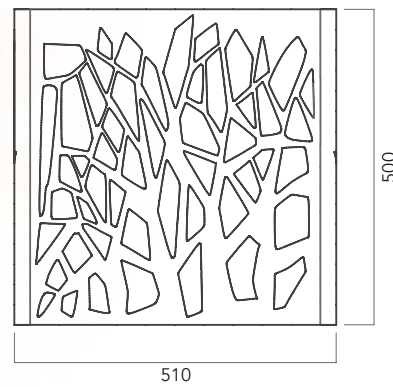
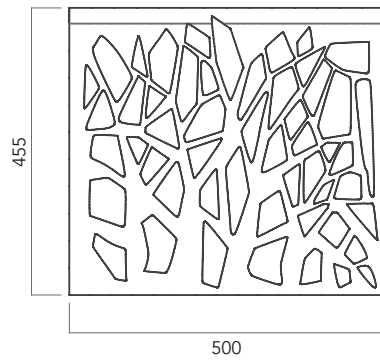
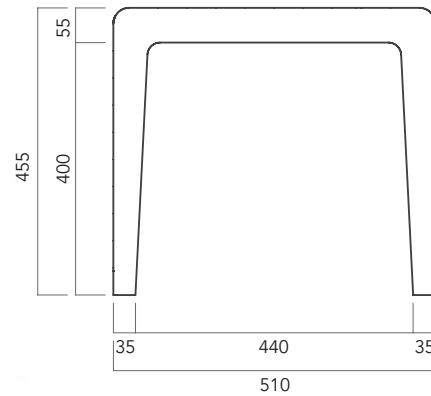
510



RAMAGE

TAVOLINO / TABLE

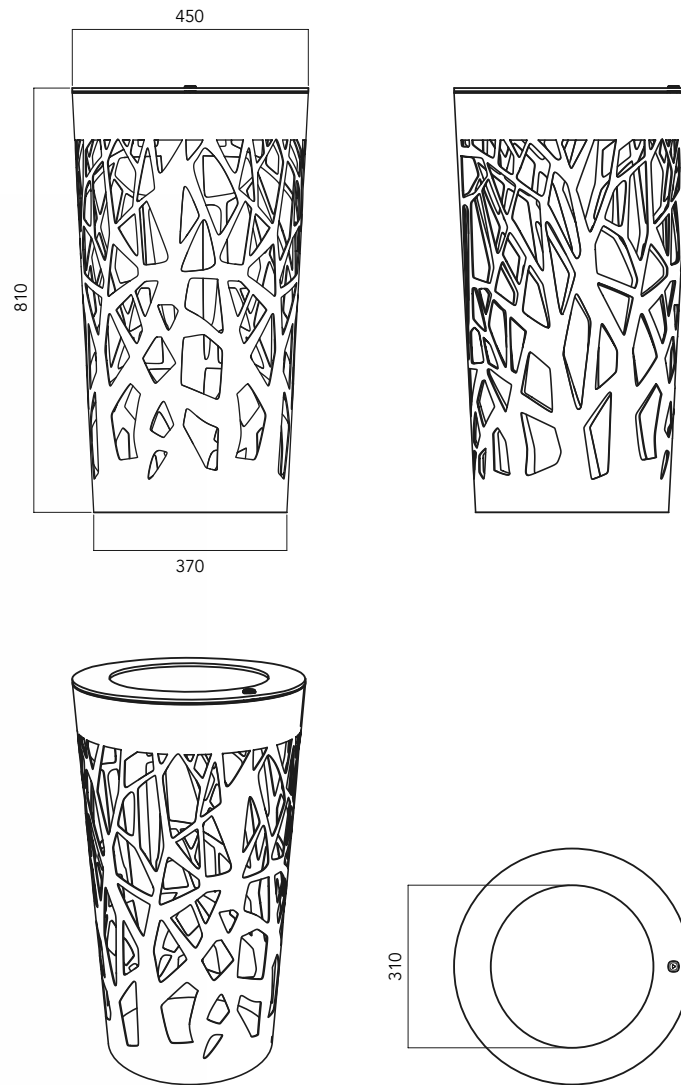
CODE UL - TVL - 03



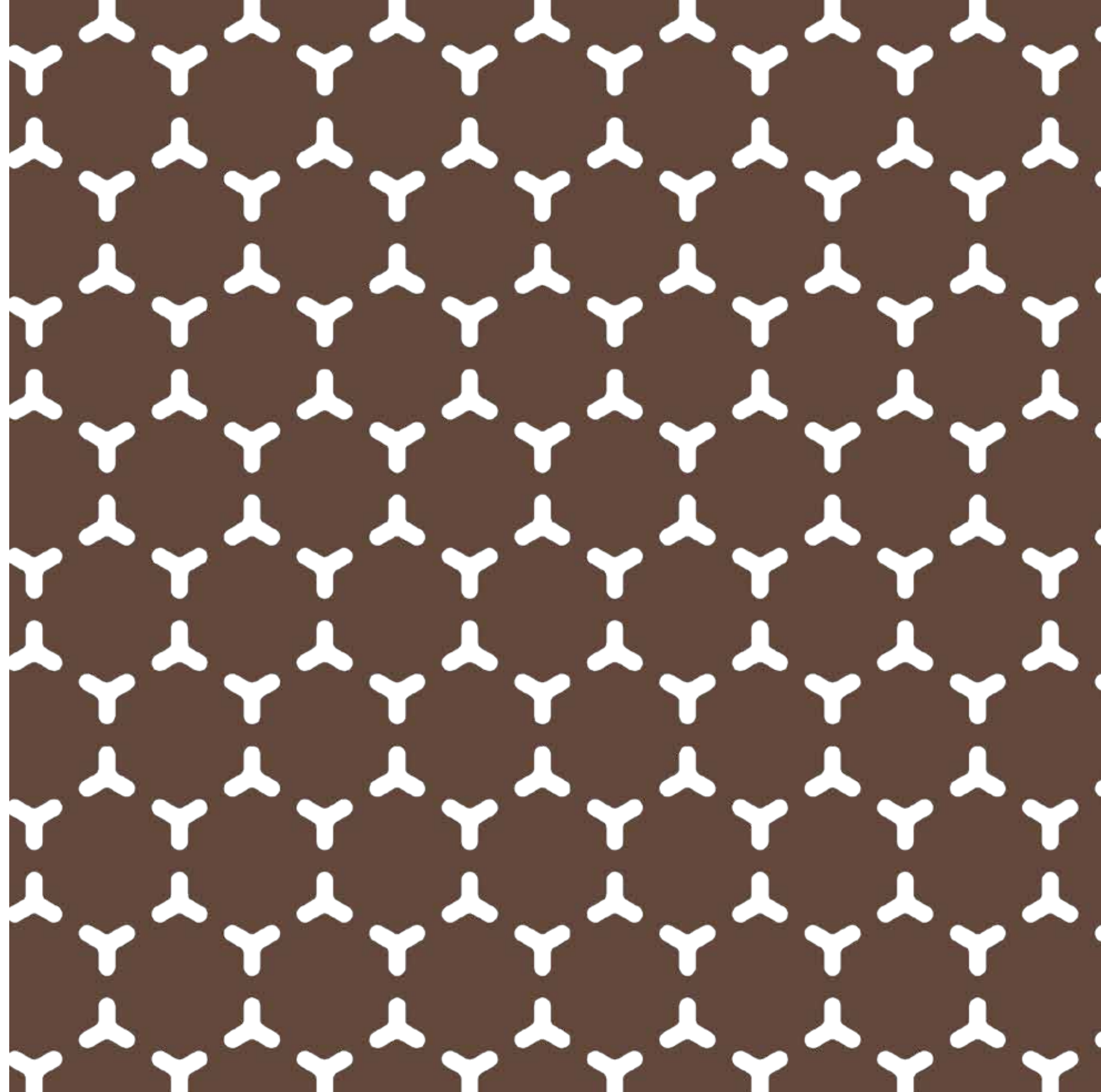
RAMAGE

CESTINO / LITTER BIN

CODE UL - CST - 86



—
ELES COLLECTION
DESIGNED BY RAMOS BASSOLS

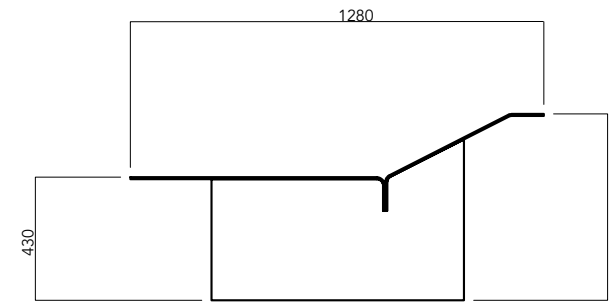


—
ELES
CHAISE LONGUE

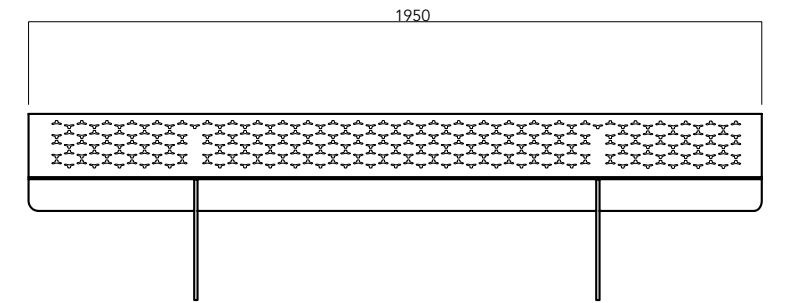


ELES

CHAISE LONGUE

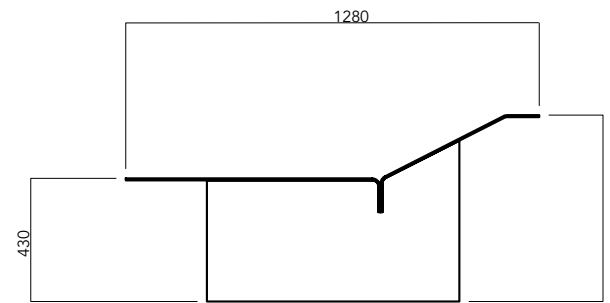


CHAISE LONGUE A

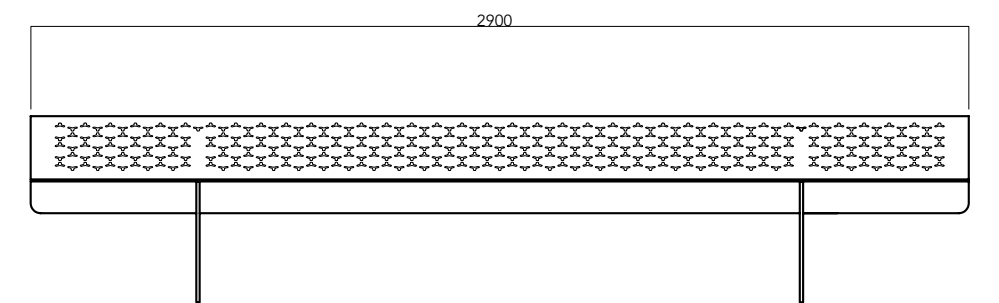


CON PIASTRA / WITH PLATE
CODE UL - PNC - 076

DA CEMENTARE / TO BE CEMENTED
CODE UL - PNC - 076 - S



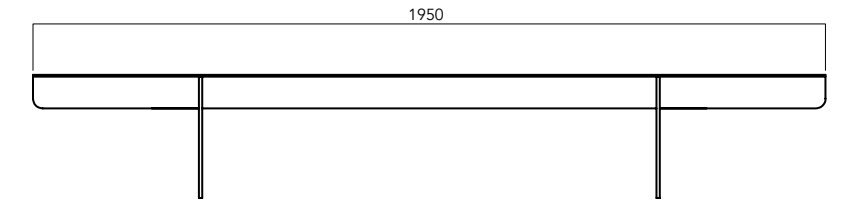
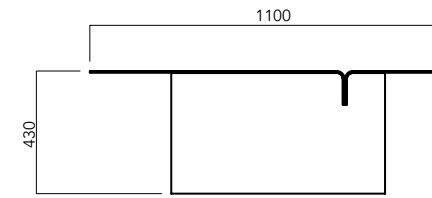
CHAISE LONGUE B



CON PIASTRA / WITH PLATE
CODE UL - PNC - 077

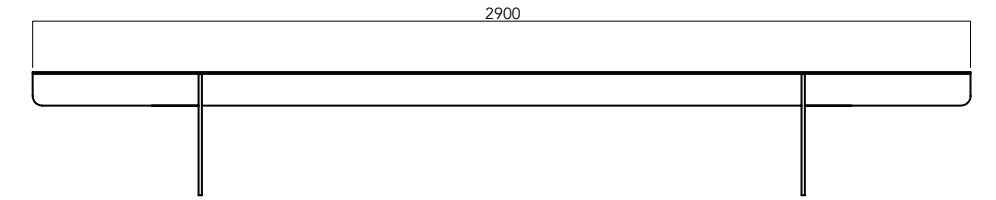
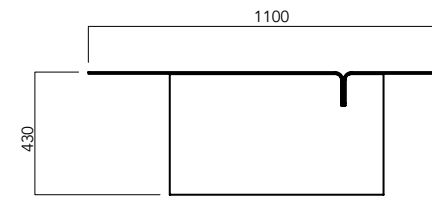
DA CEMENTARE / TO BE CEMENTED
CODE UL - PNC - 077 - S

—
ELES
PANCA / SEAT



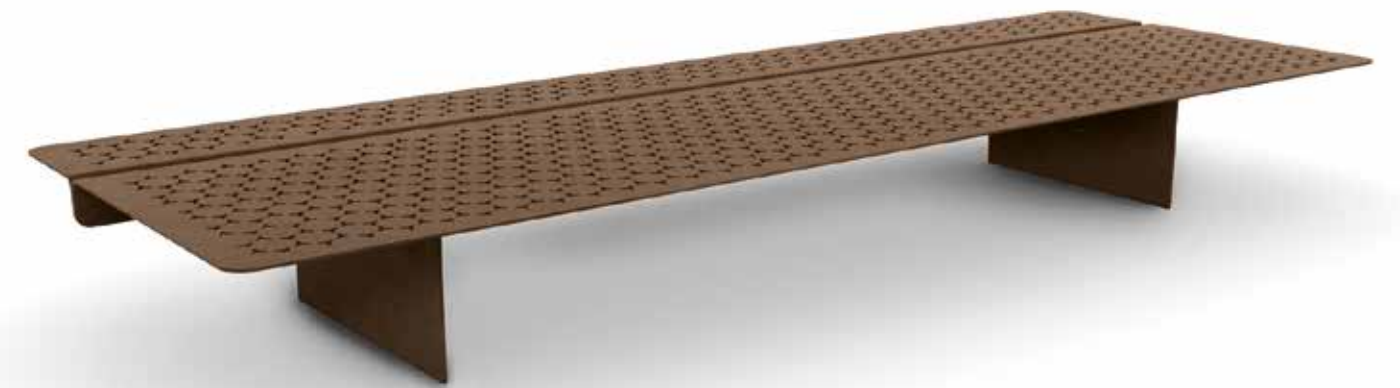
CON PIASTRA / WITH PLATE
CODE UL - PNC - 074

DA CEMENTARE / TO BE CEMENTED
CODE UL - PNC - 074 - S



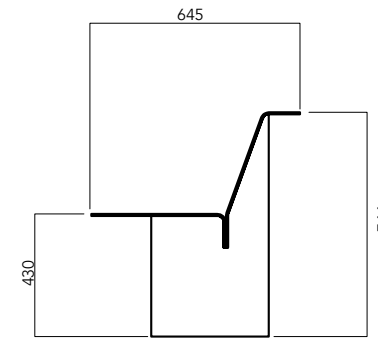
CON PIASTRA / WITH PLATE
CODE UL - PNC - 075

DA CEMENTARE / TO BE CEMENTED
CODE UL - PNC - 075 - S

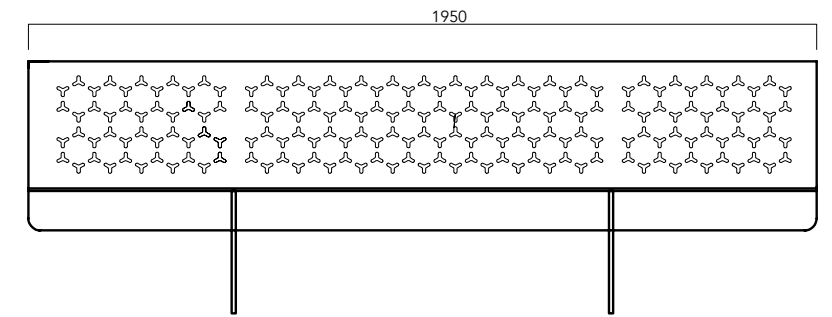


ELES

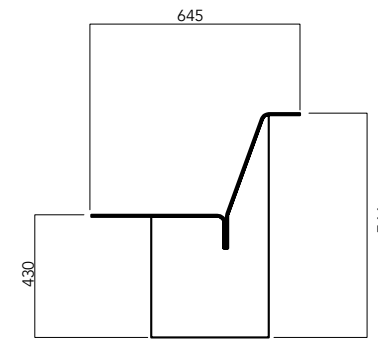
PANCHINA / BENCH



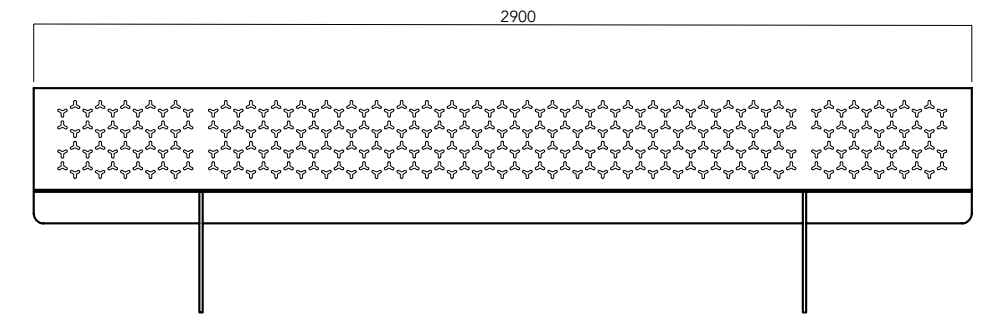
CON PIASTRA / WITH PLATE
CODE UL - PNC - 070



DA CEMENTARE / TO BE CEMENTED
CODE UL - PNC - 070 - S



CON PIASTRA / WITH PLATE
CODE UL - PNC - 071

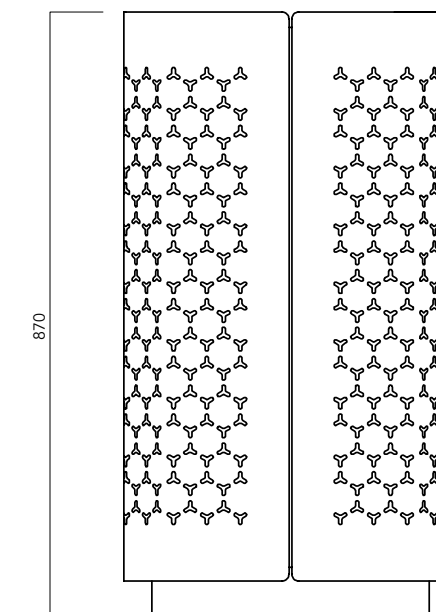
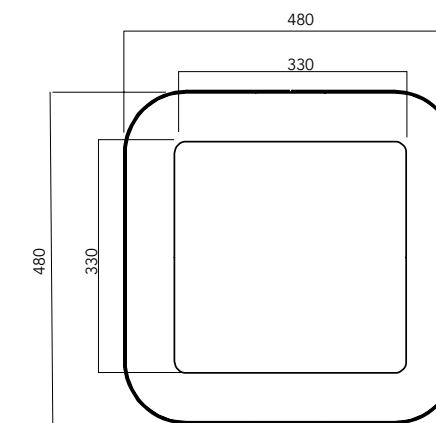
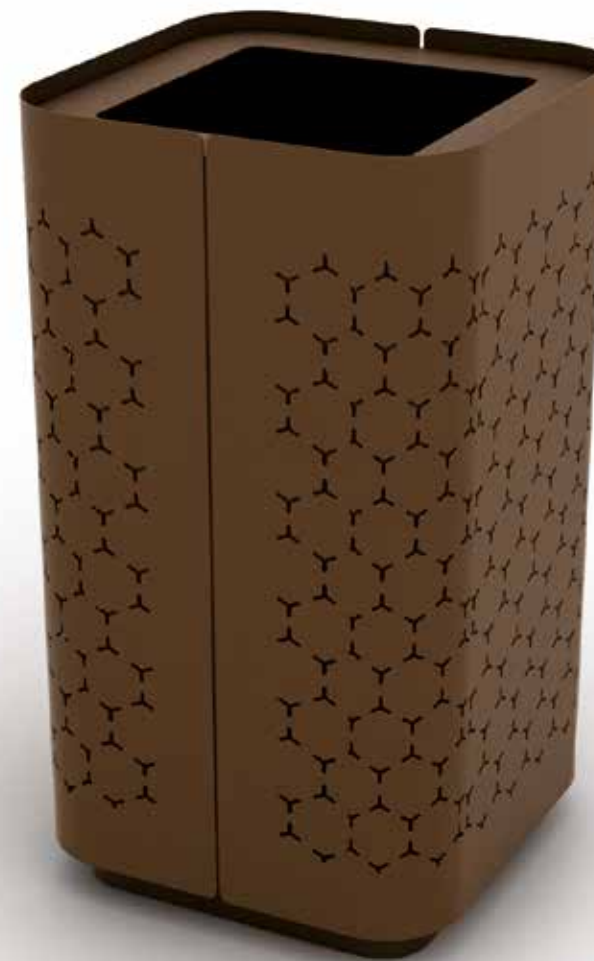


DA CEMENTARE / TO BE CEMENTED
CODE UL - PNC - 071 - S



ELES

CESTINO / LITTER BIN CODE UL - CST - 033



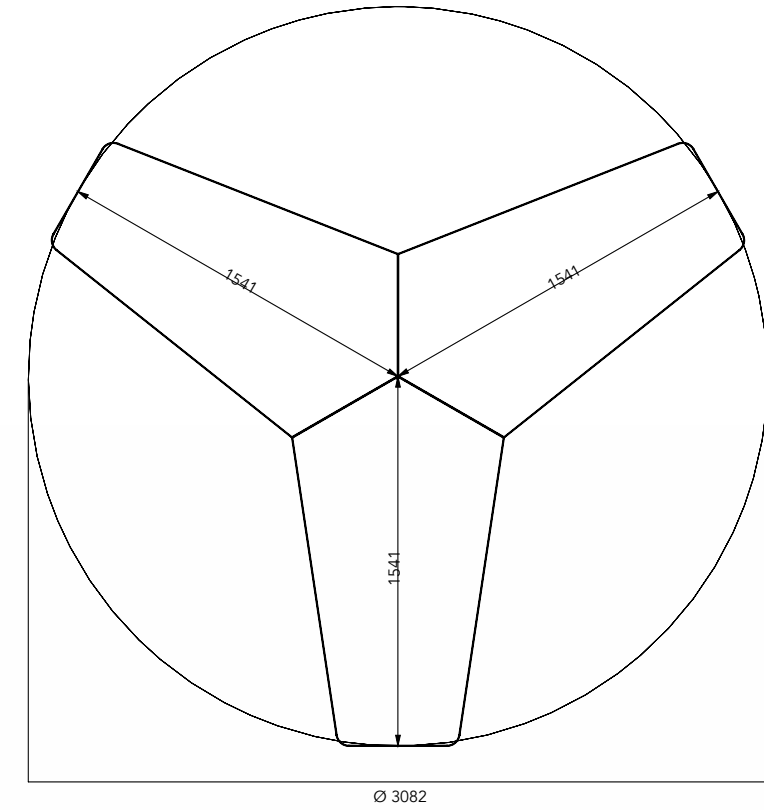
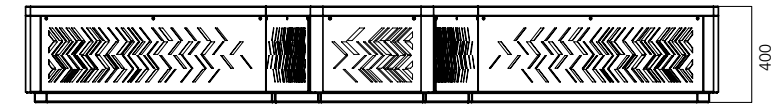
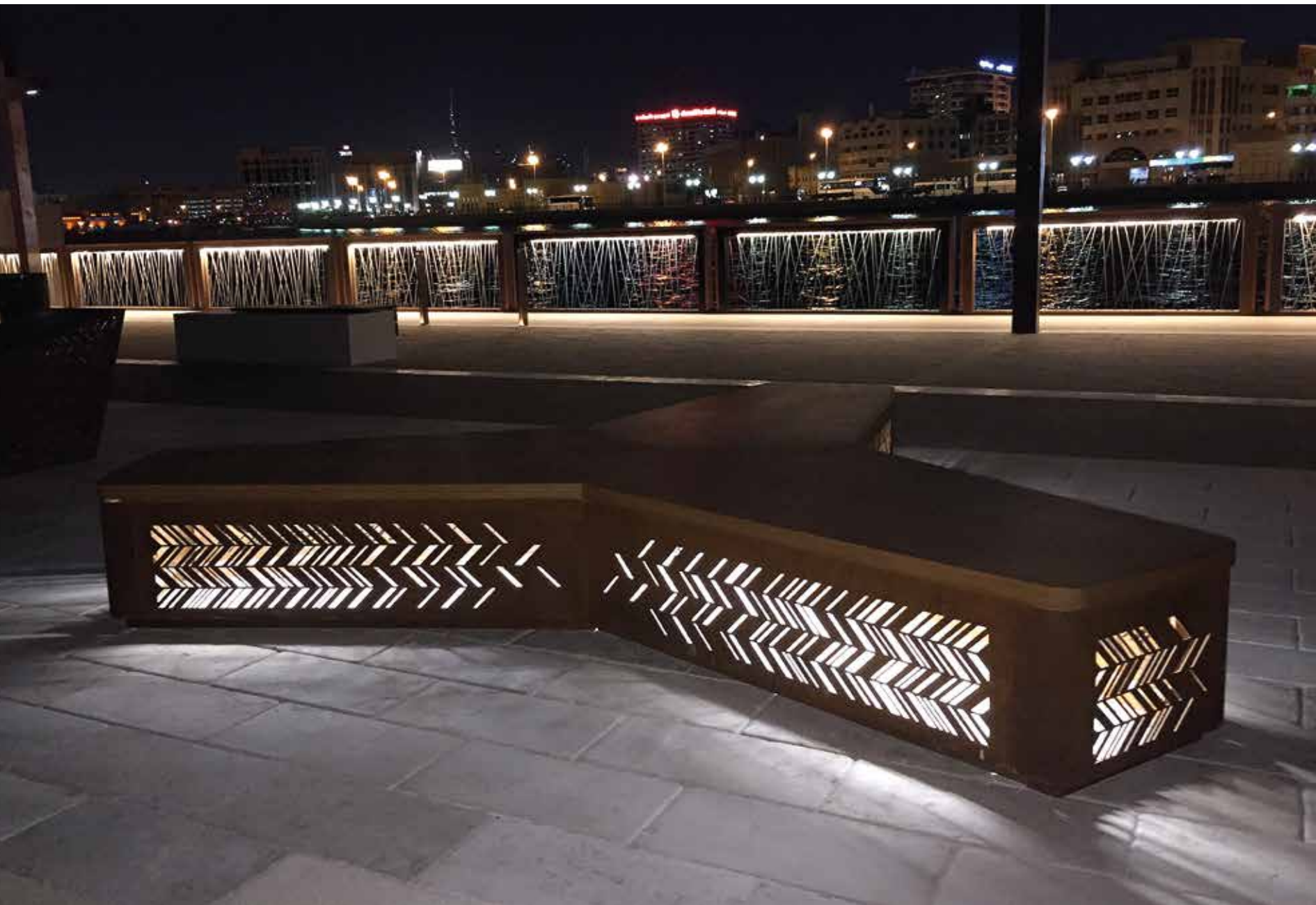
—
CHARM COLLECTION



CHARM

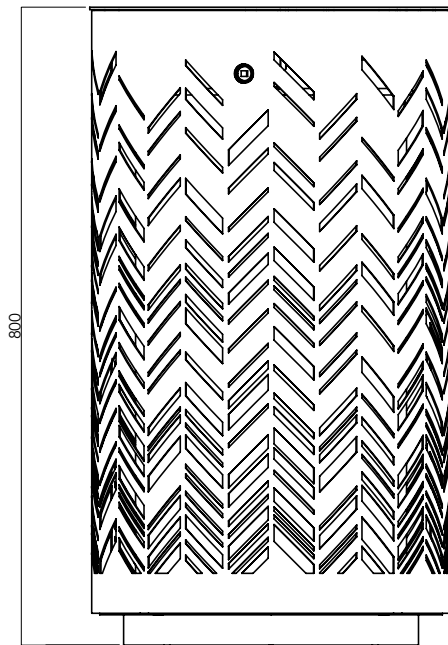
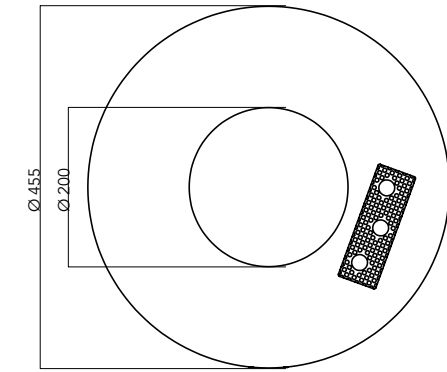
PANCA / SEAT CODE UL - PNC - 079

OPTIONAL LUCE LED / LED LIGHT OPTIONAL USB



CHARM

CESTINO / LITTER BIN CODE UL - CST - 034

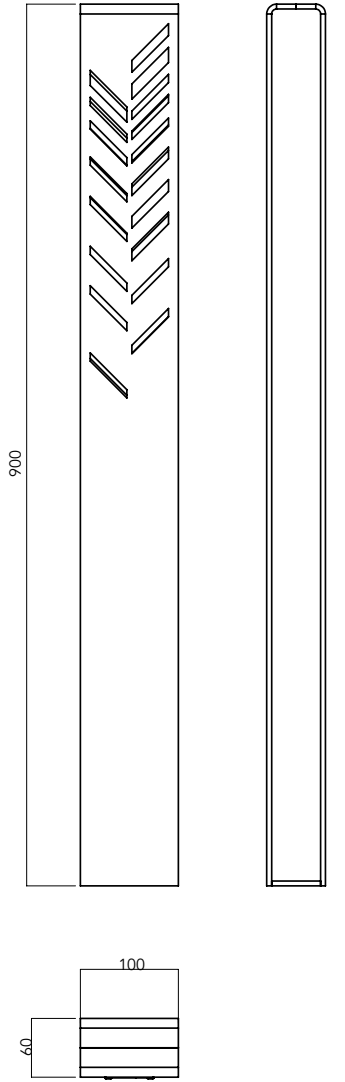


PATTERN NOT AVAILABLE FOR THE UAE MARKET

CHARM

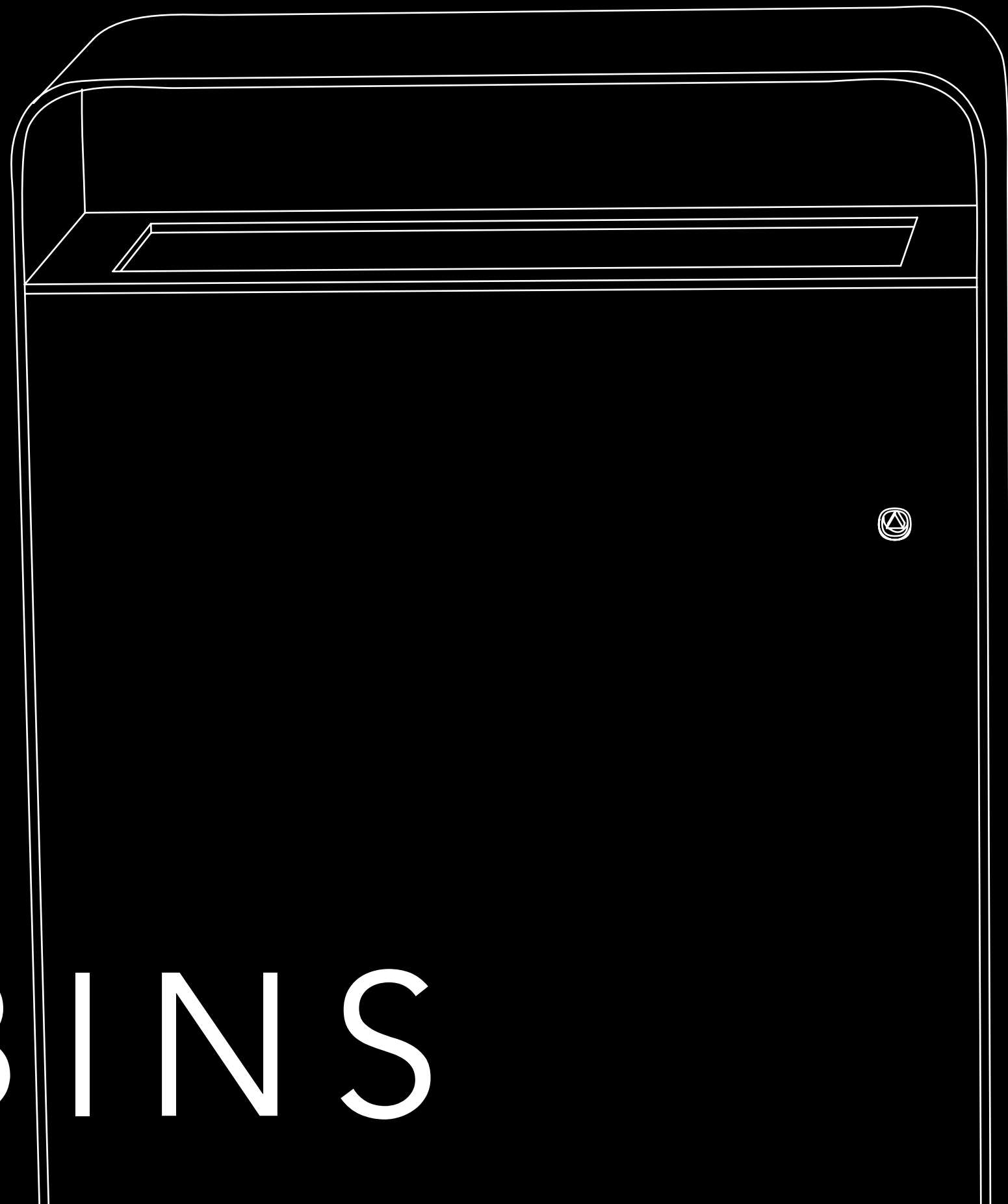
DISSUASORE / BOLLARD CODE UL - DSR - 011

OPTIONAL LUCE LED / LED LIGHT



PATTERN NOT AVAILABLE FOR THE UAE MARKET

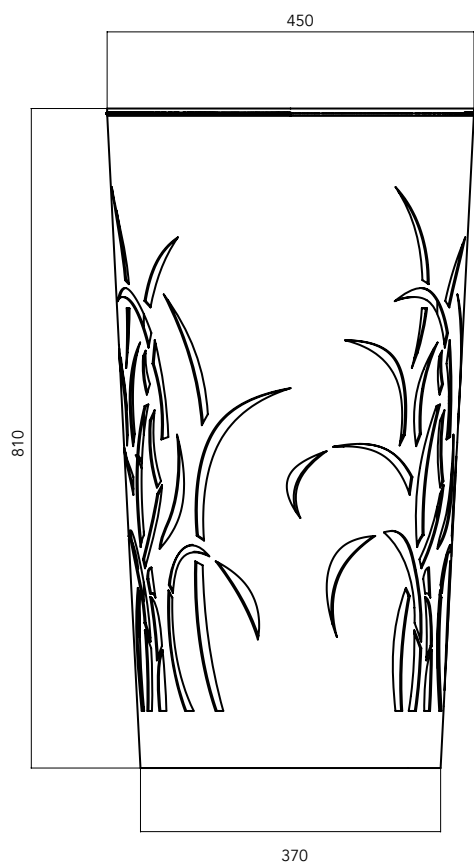
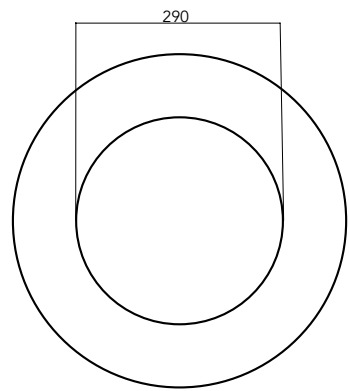
CESTINI LITTER BINS



GRASS CONIC

CODE UL - CST - 013

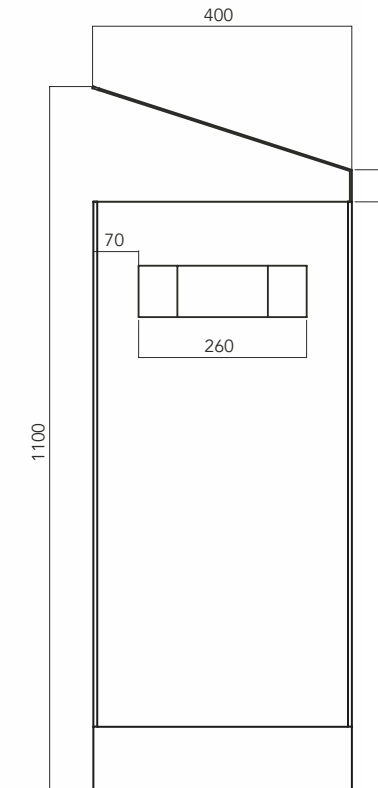
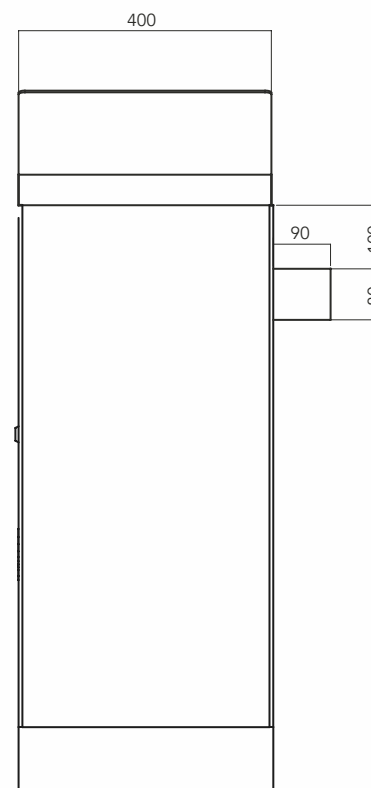
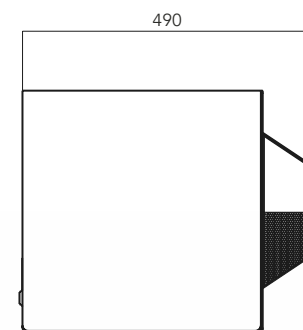
C: 80 LT



NAVY

CODE UL - CST - 087

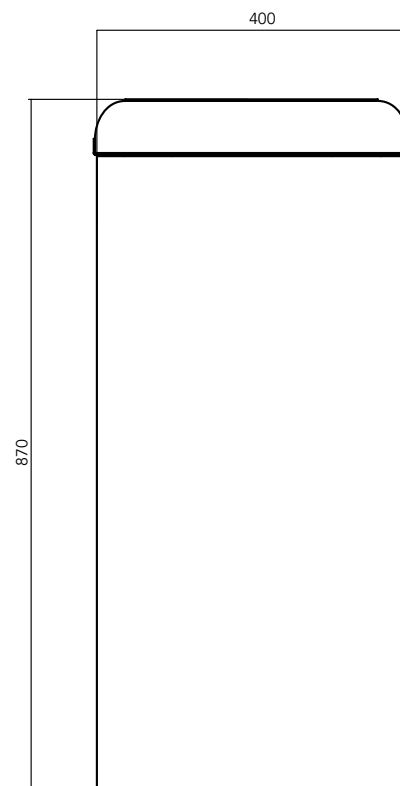
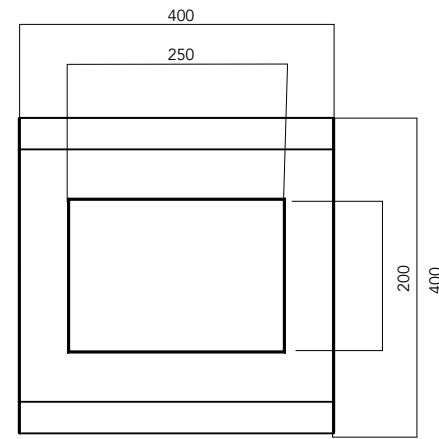
C: 60 LT



LIGHT

CODE UL - CST - 020

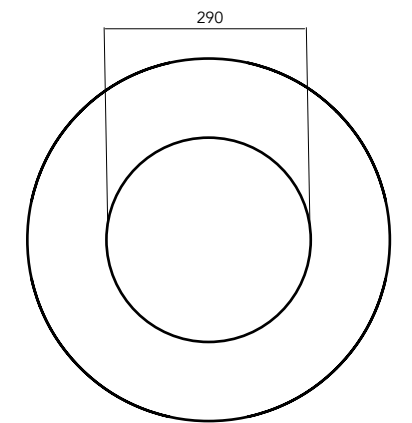
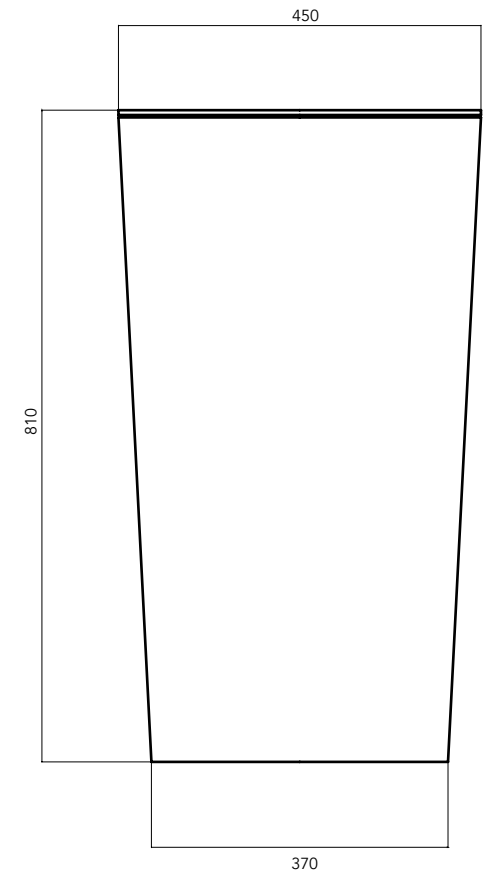
C: 100 LT



LIGHT CONIC

CODE UL - CST - 023

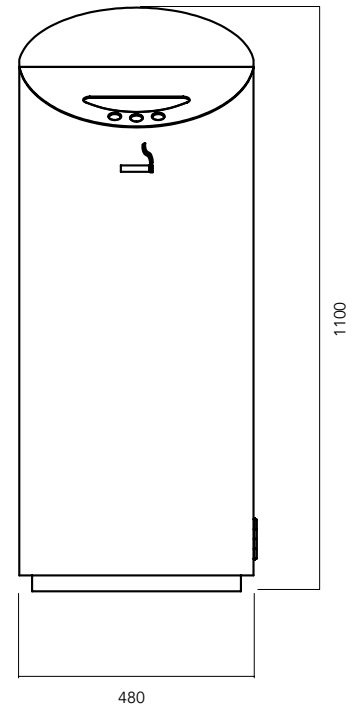
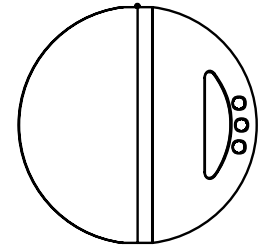
C: 80 LT



NEO

CODE UL - CST - 014

C: 100 LT

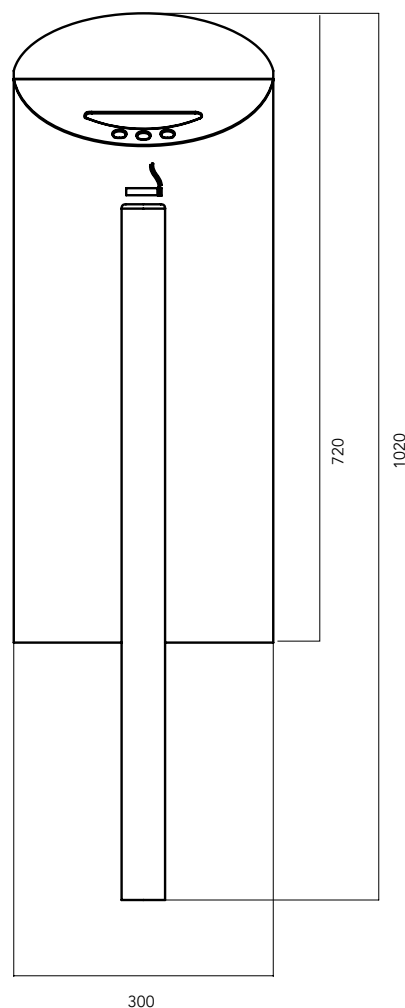


NEO

A PALO / POLE BRACKET

CODE UL - CST - 015

C: 35 LT

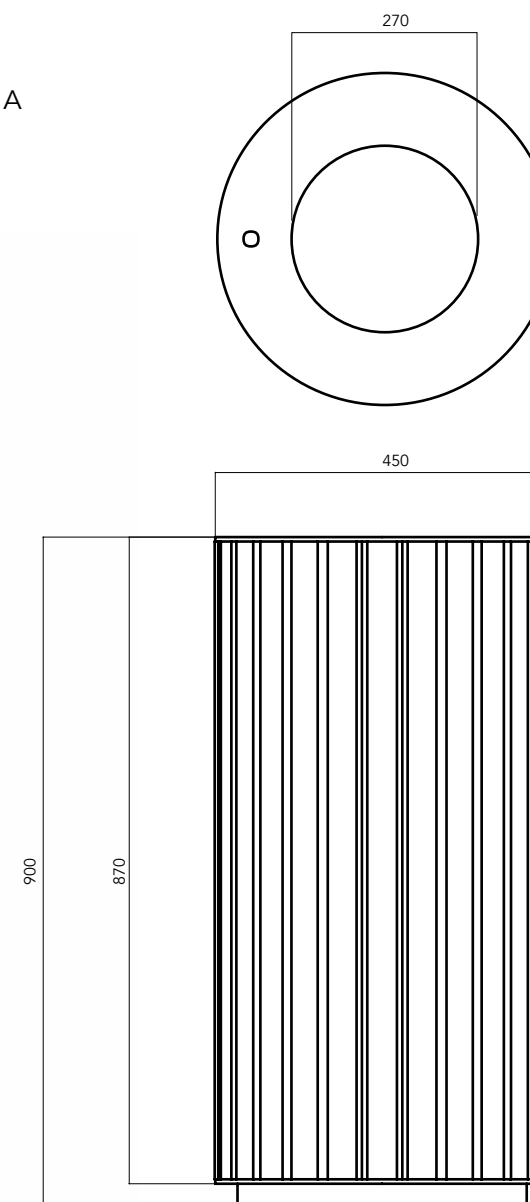


WOODY

CODE A LEGNO ESOTICO / EXOTIC WOOD UL - CST - 021 - A

CODE B LEGNO DI PINO / PINE UL - CST - 021 - B

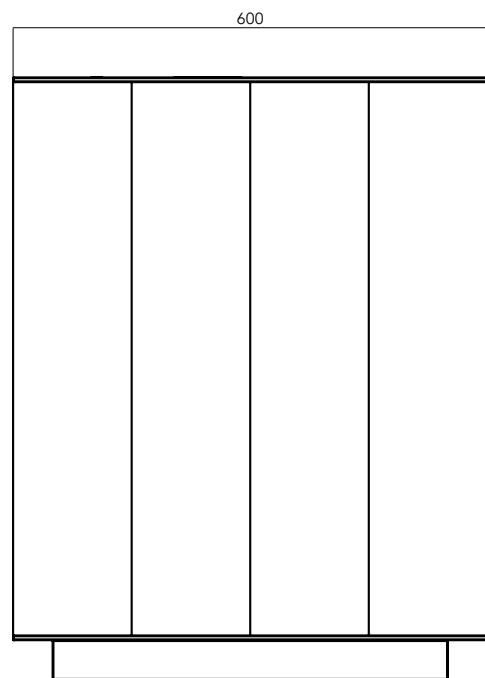
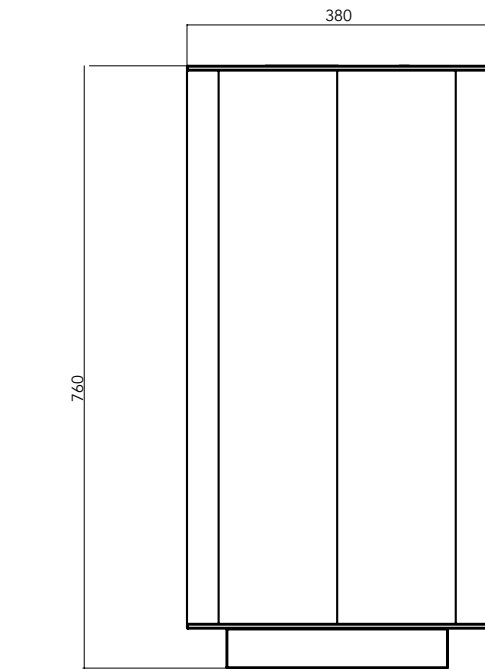
C: 100 LT



RETRÒ

CODE UL - CST - 019

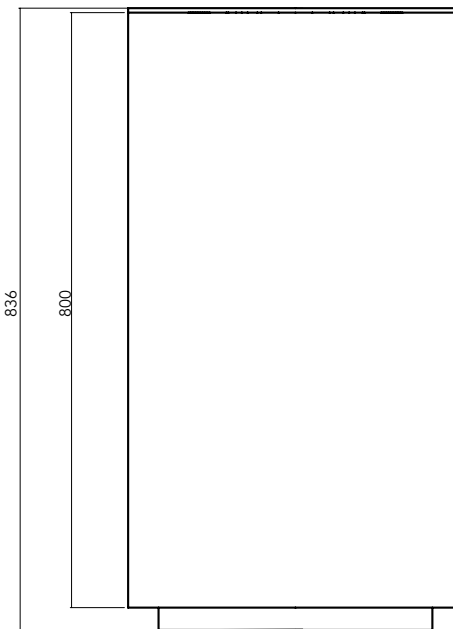
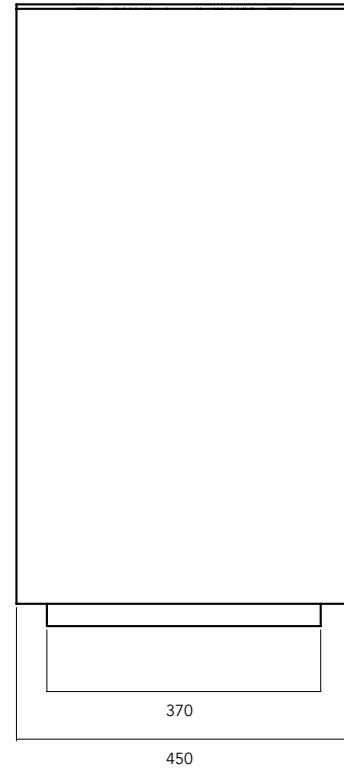
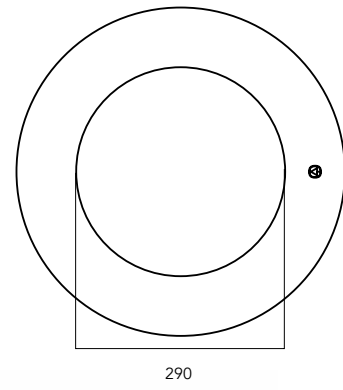
C: 120 LT



SIMPLY

CODE UL - CST - 026

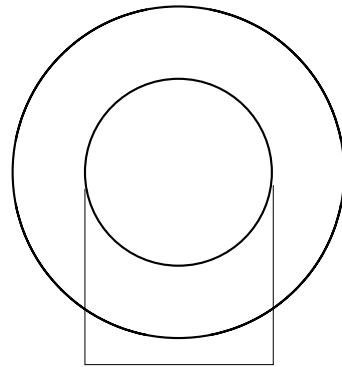
C: 100 LT



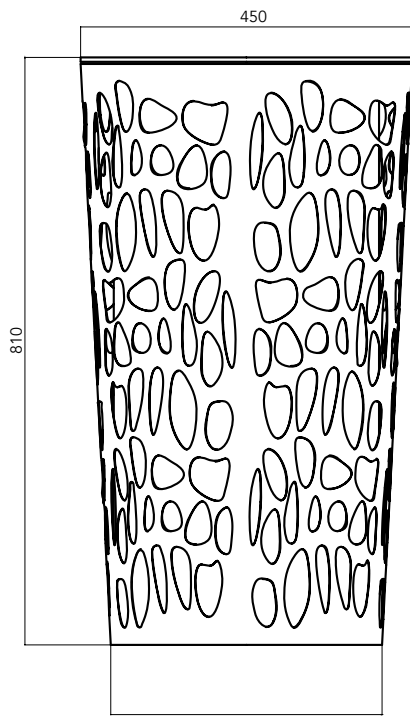
CLAPS CONIC

CODE UL - CST - 025

C: 80 LT



290

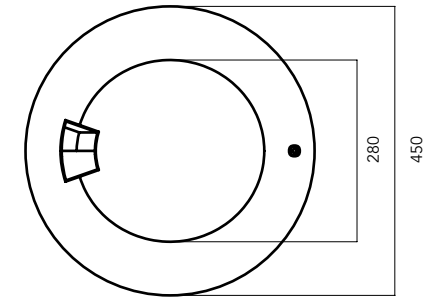


370

CONE

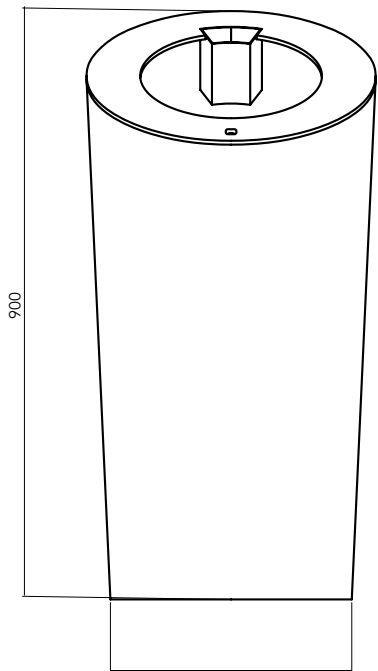
CODE UL - CST - 018

C: 80 LT



280

450

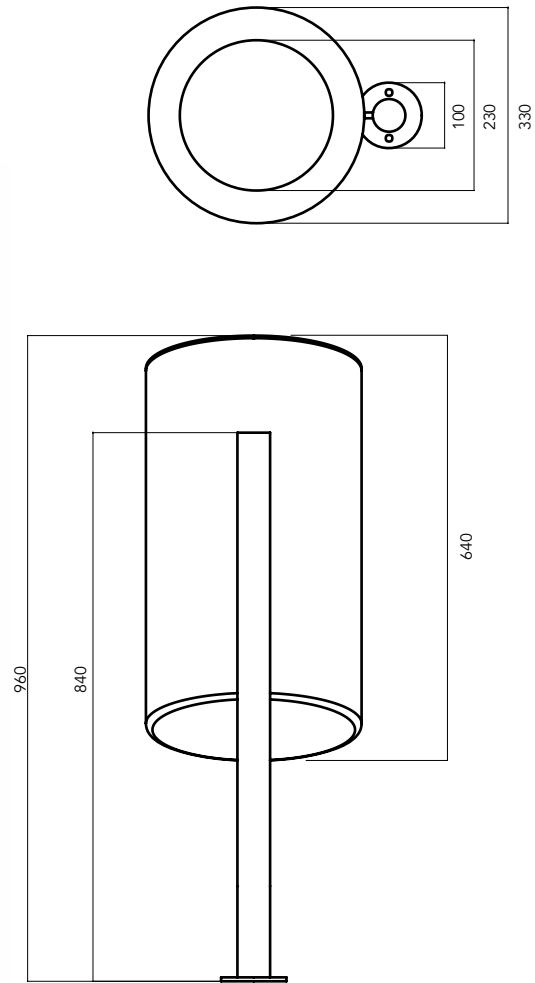


370

CHEAP

CODE UL - CST - 017

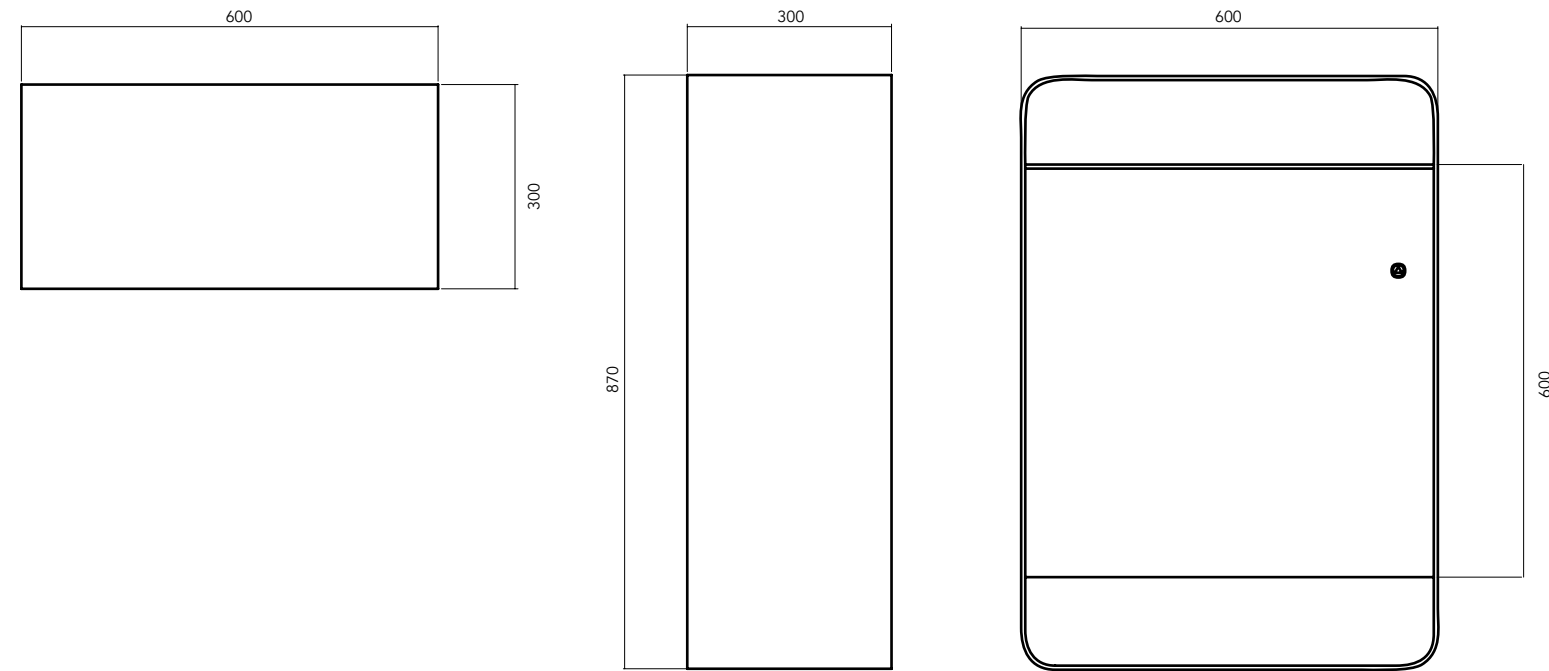
C: 35 LT



PLAZA

CODE UL - CST - 024

C: 75 LT



OPTIONAL
CON FORI / WITH HOLES

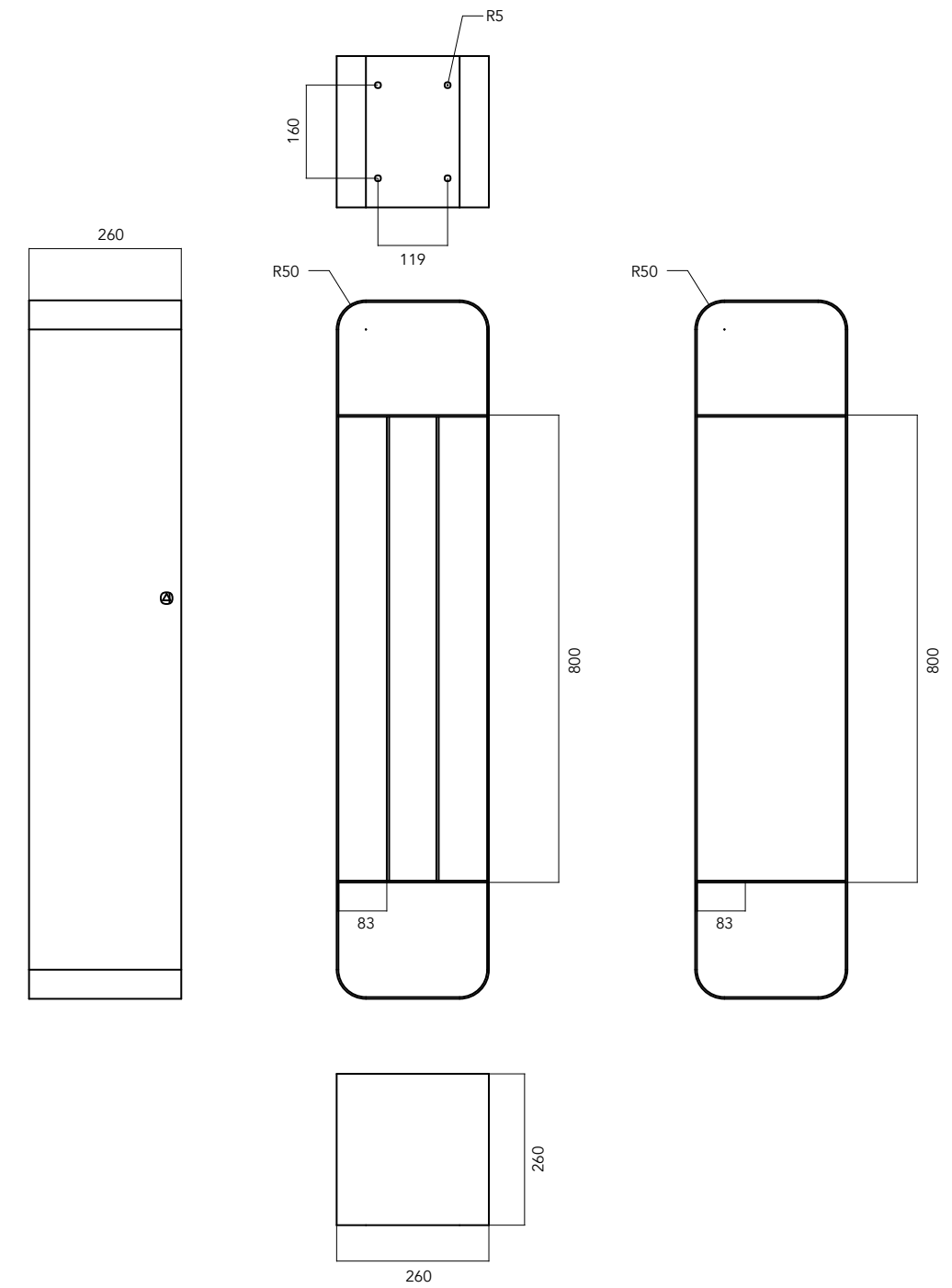


PLAZA S

CODE UL - CST - 024S



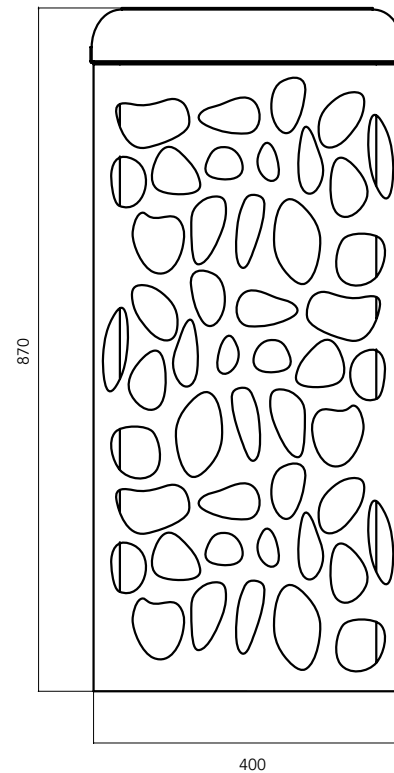
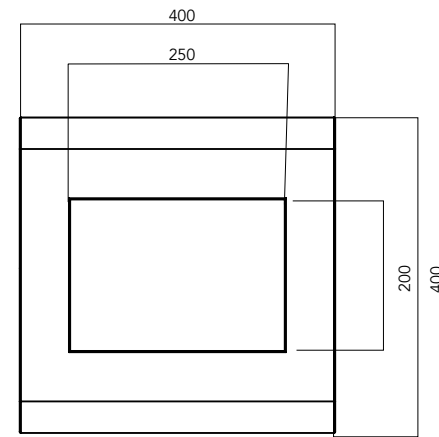
CODE UL - CST - 024SW



CLAPS

CODE UL - CST - 022

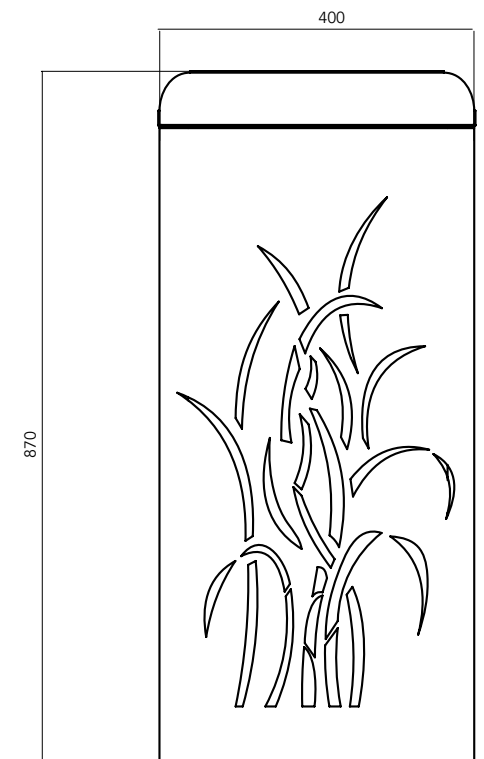
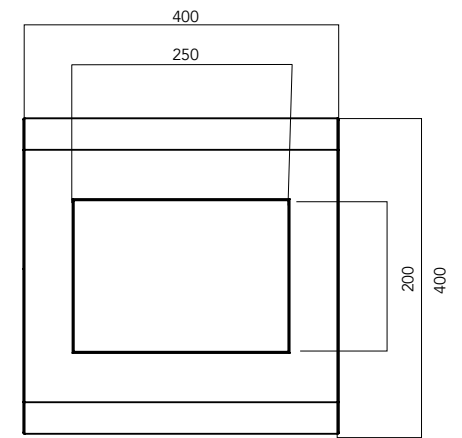
C: 100 LT

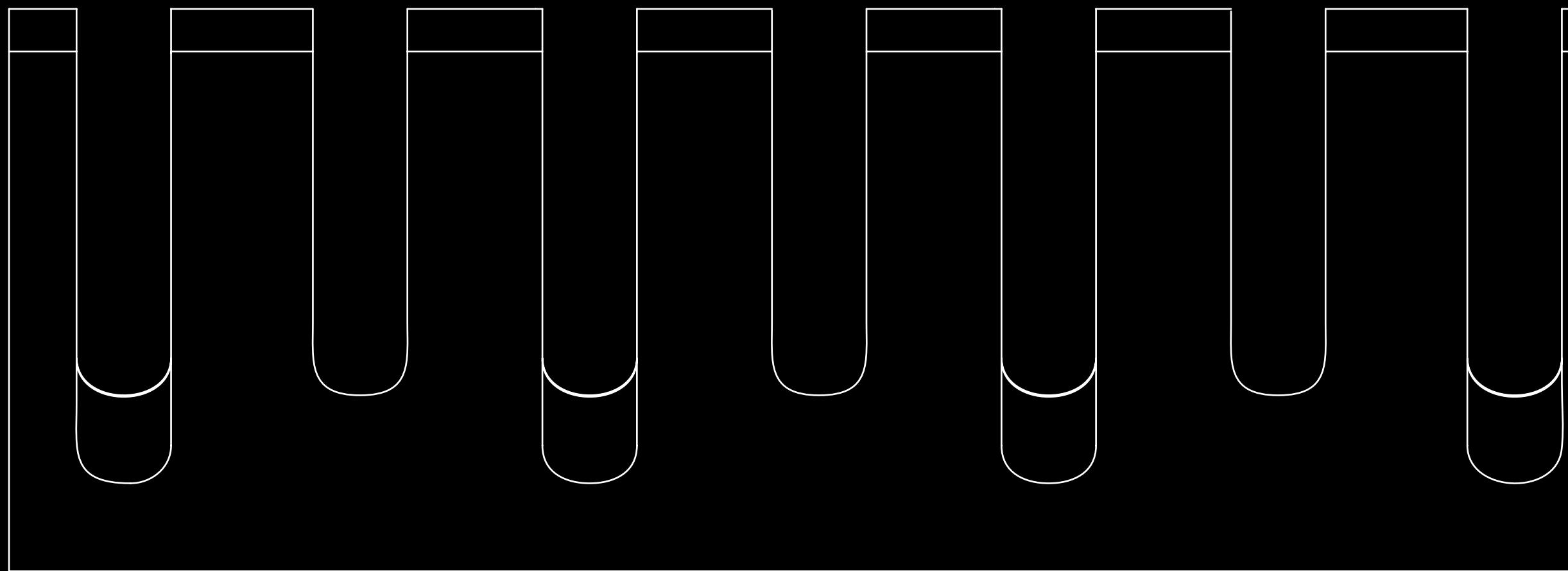


GRASS

CODE UL - CST - 031

C: 100 LT

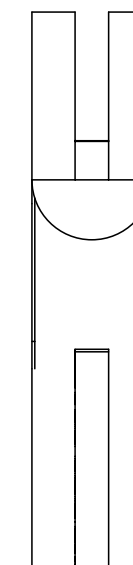
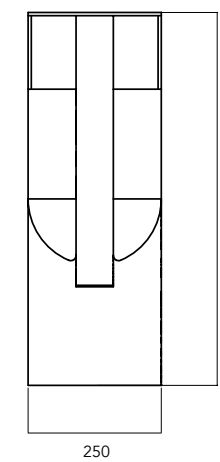
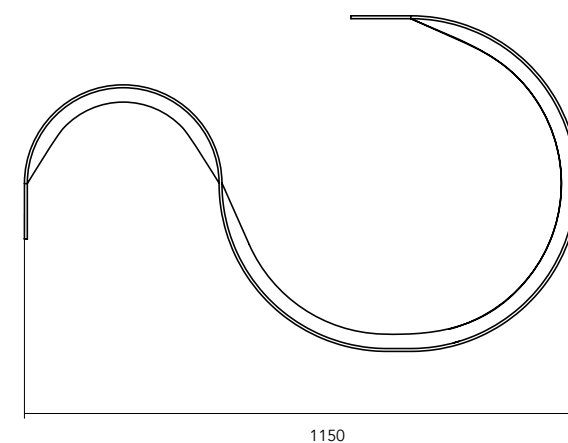
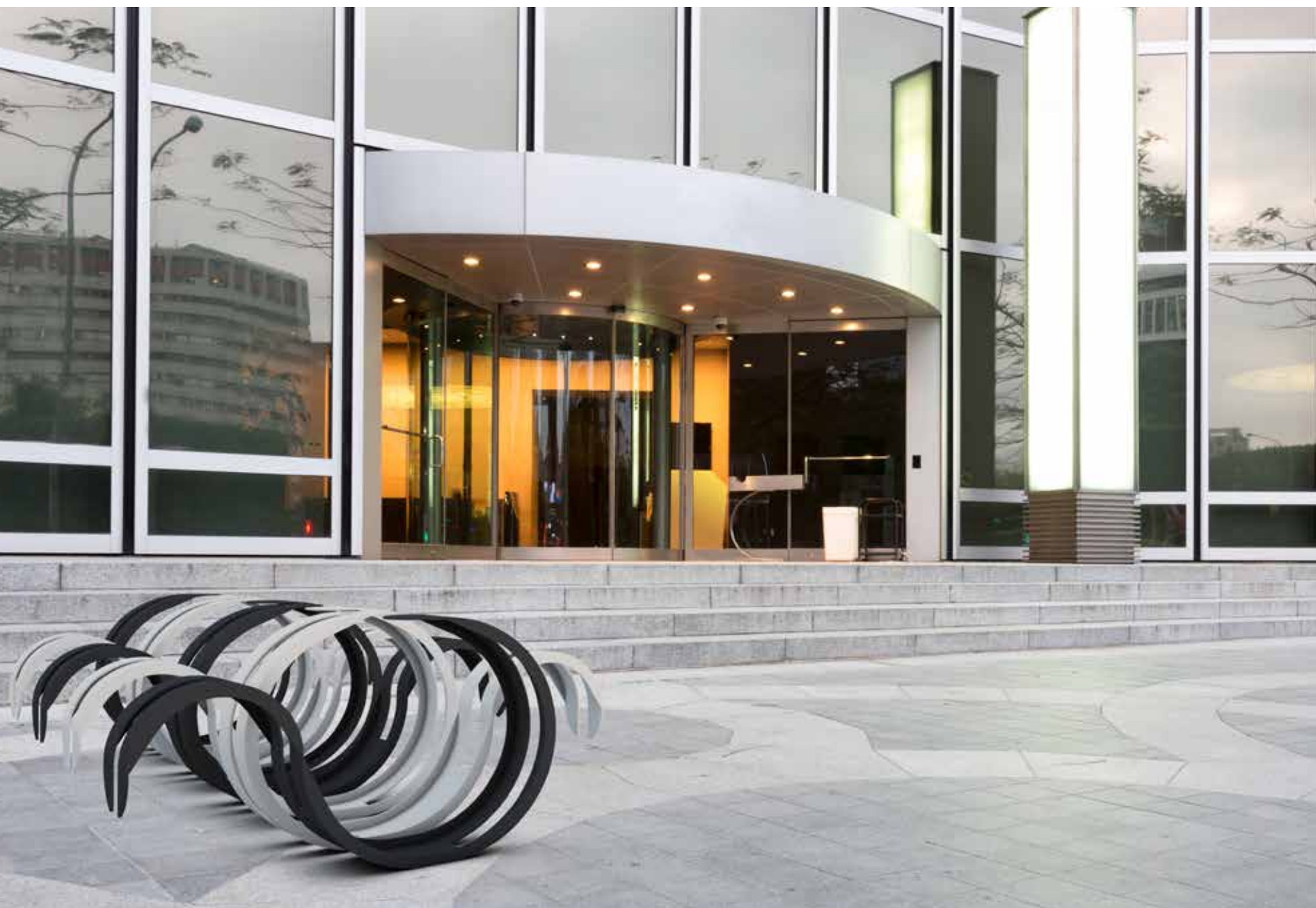




PORTABICI
BIKE RACKS

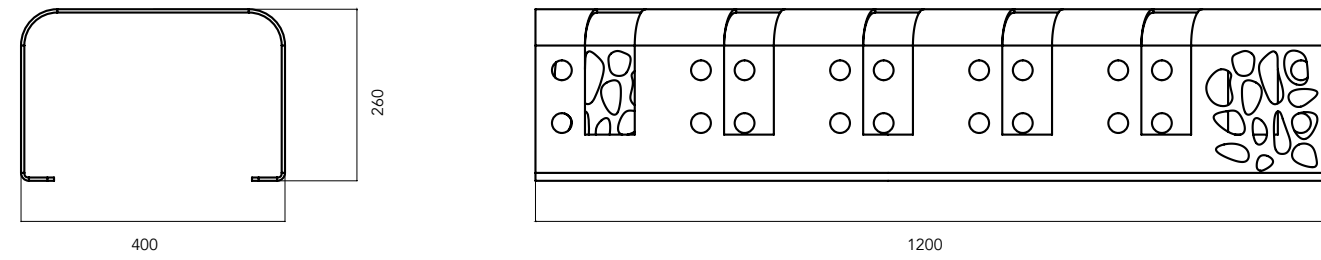
—
SNAKE

CODE UL - PRB - 03



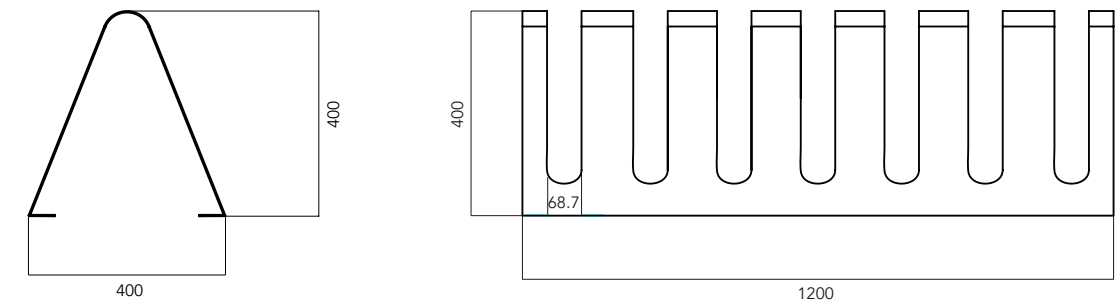
CLAPS

CODE UL - PRB - 09



CLASSIC

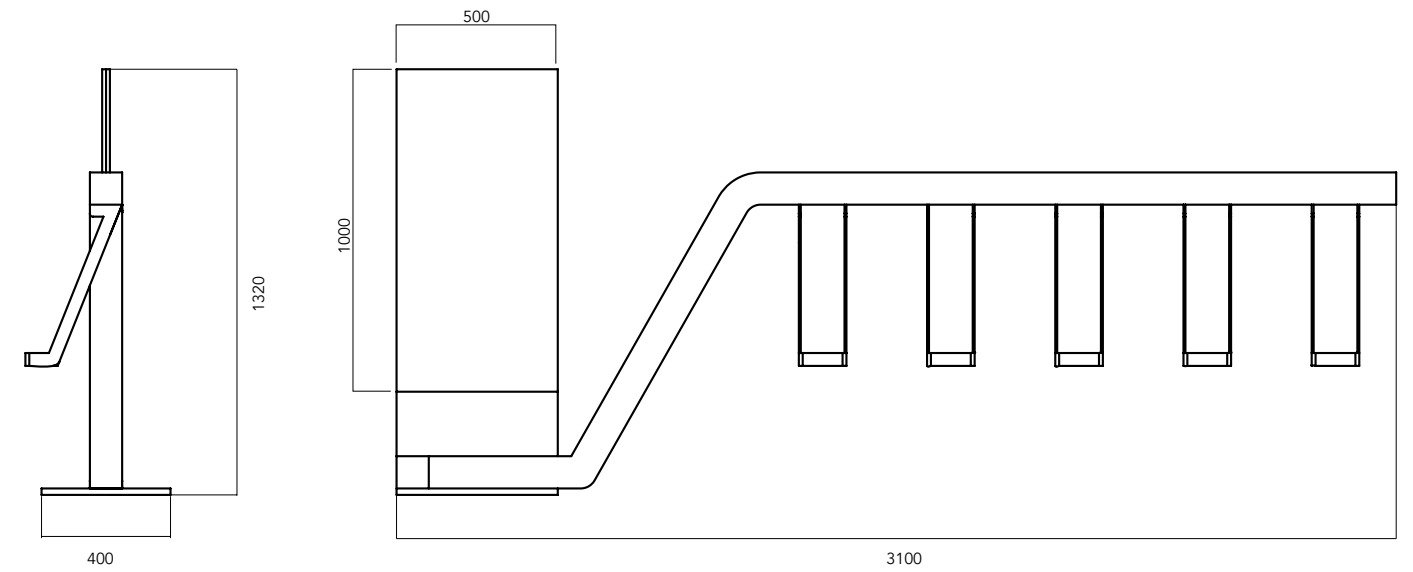
CODE UL - PRB - 04



RIO

CON TOTEM / WITH NOTICEBOARD

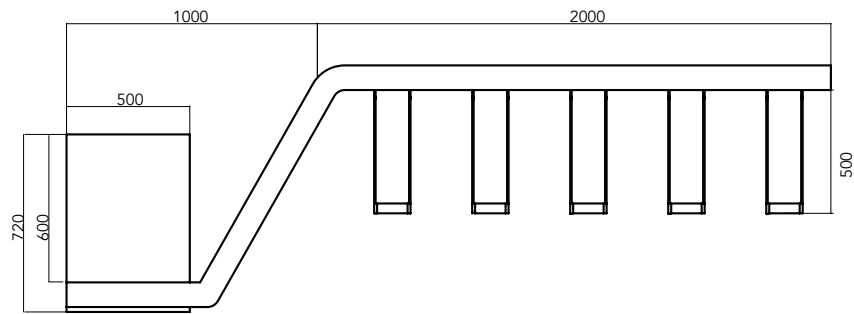
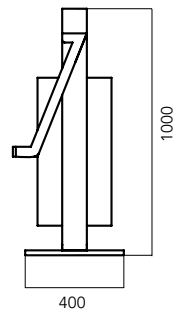
CODE UL - PRB - 02



RIO

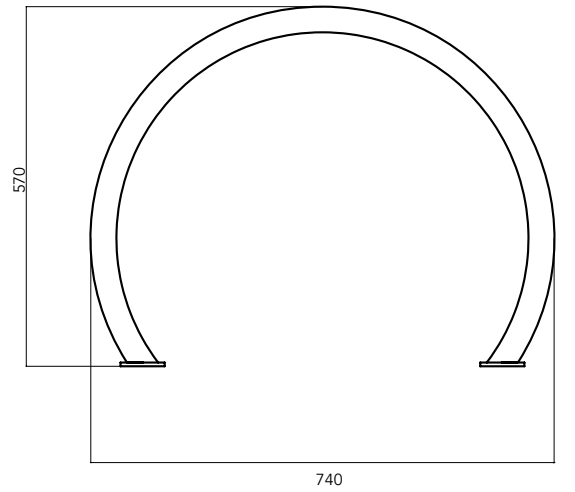
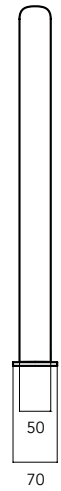
CON CESTINO / WITH BIN

CODE UL - PRB - 01



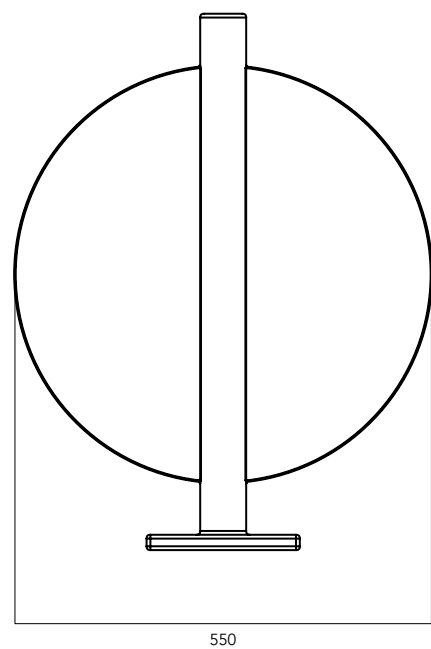
RING

CODE UL - PRB - 07



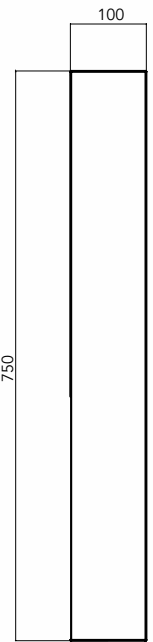
ROUND

CODE UL - PRB - 05



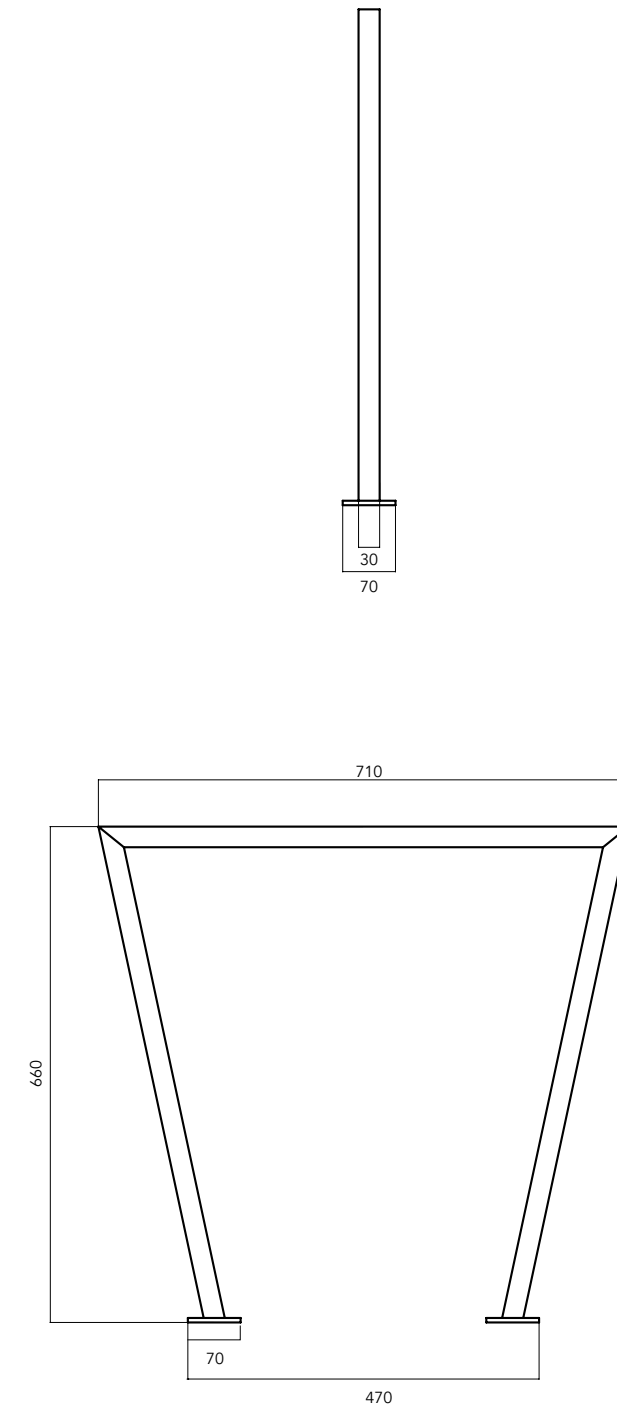
AGO

CODE UL - PRB - 06

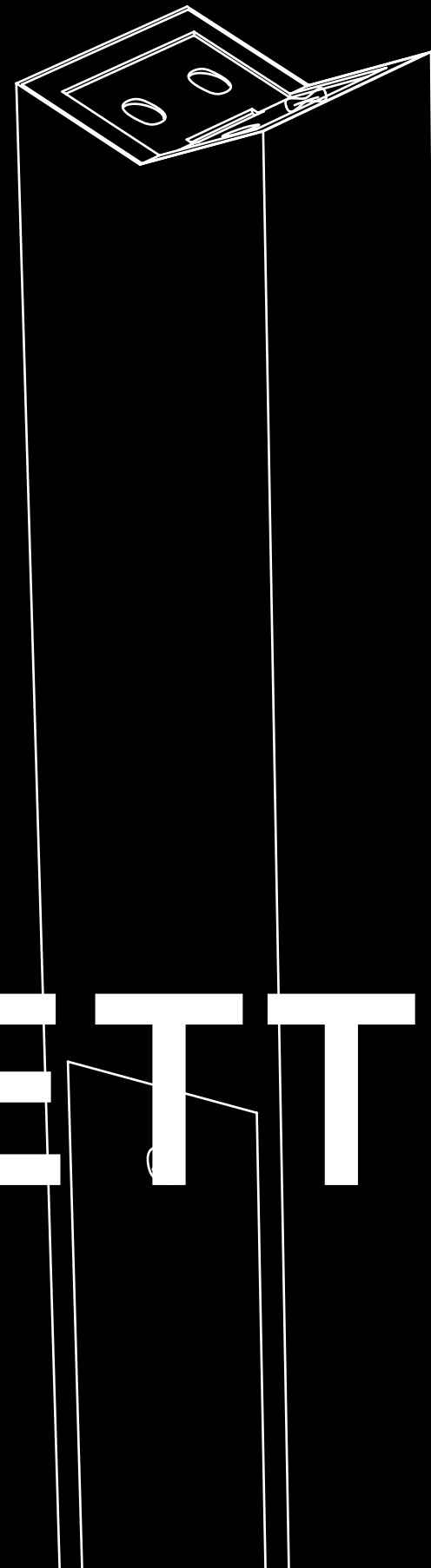


—
SQUARE

CODE UL - PRB - 08

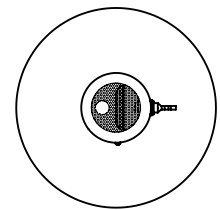
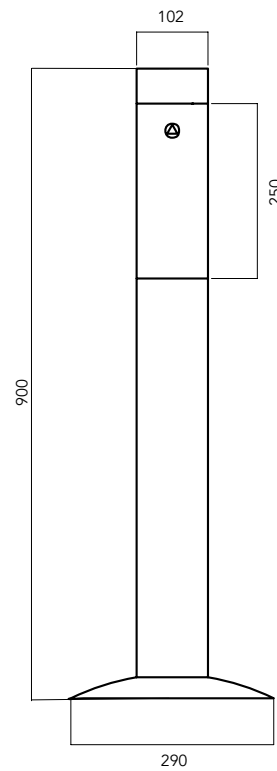


GETTA SIGARETTE
ASHTRAYS



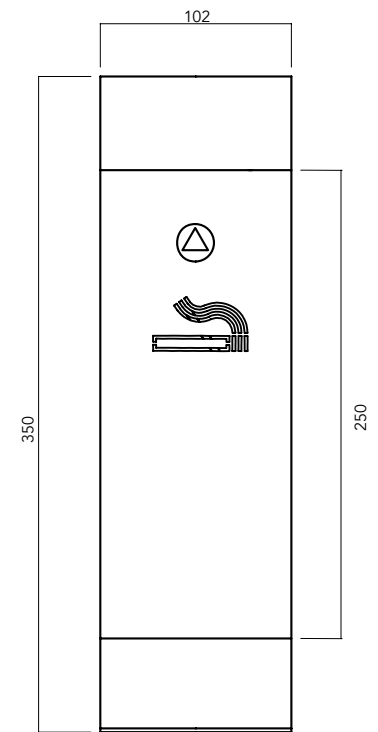
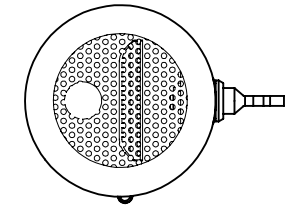
ASH

CODE UL - GST - 003



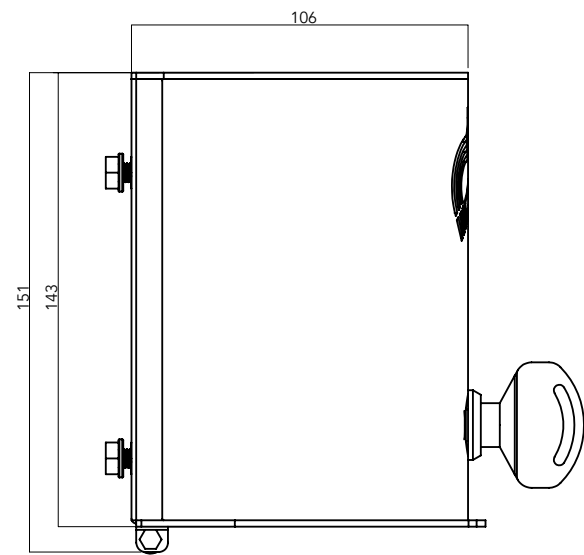
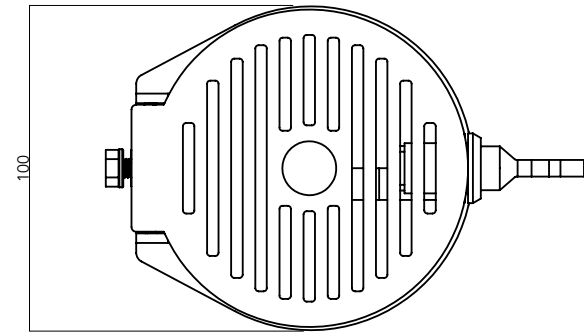
ASH S

CODE UL - GST - 002



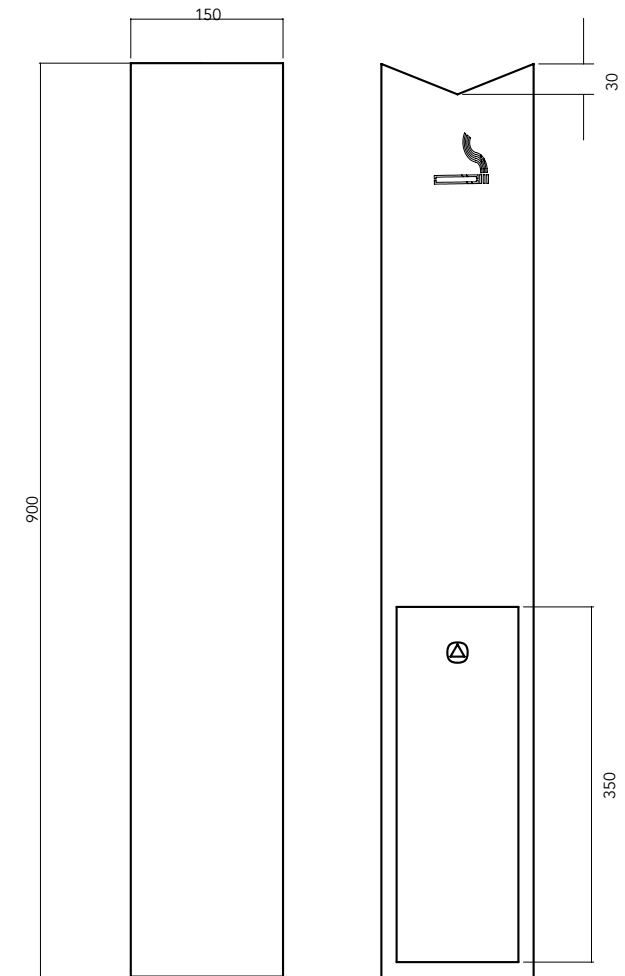
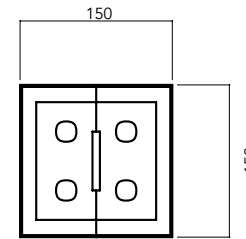
ASH BIN

CODE UL - GST - 001



COLUMN

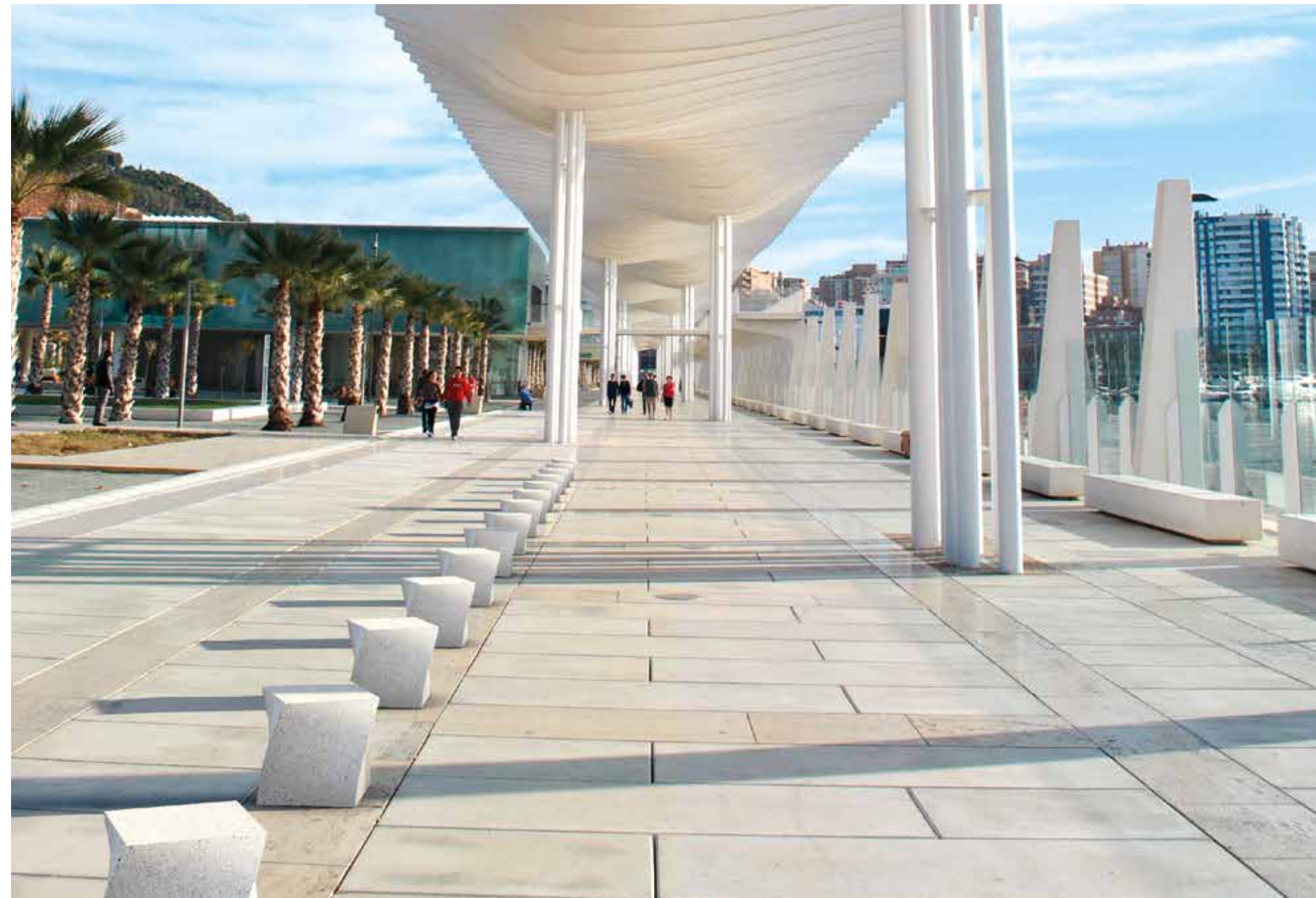
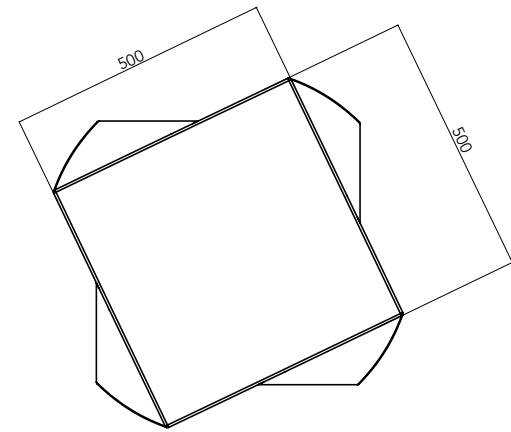
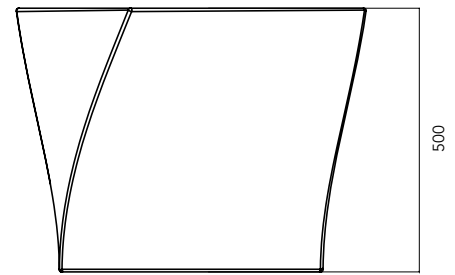
CODE UL - GST - 004



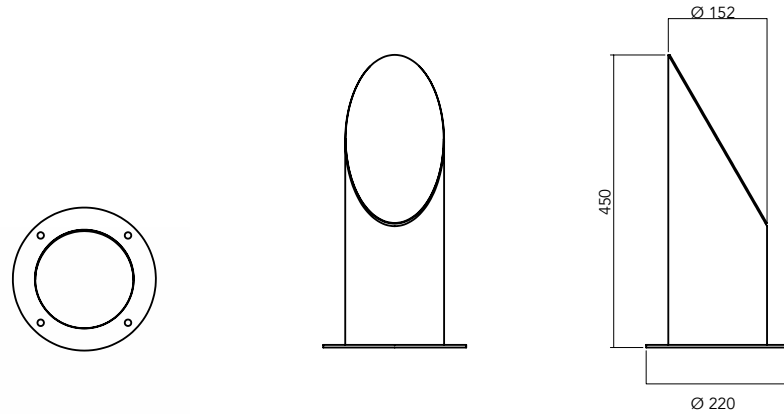
A white wireframe cube is positioned on the right side of the image, partially overlapping the text. The cube is drawn with thin white lines, showing its three-dimensional structure against the black background.

**DISSUASORI
BOLLARDS**

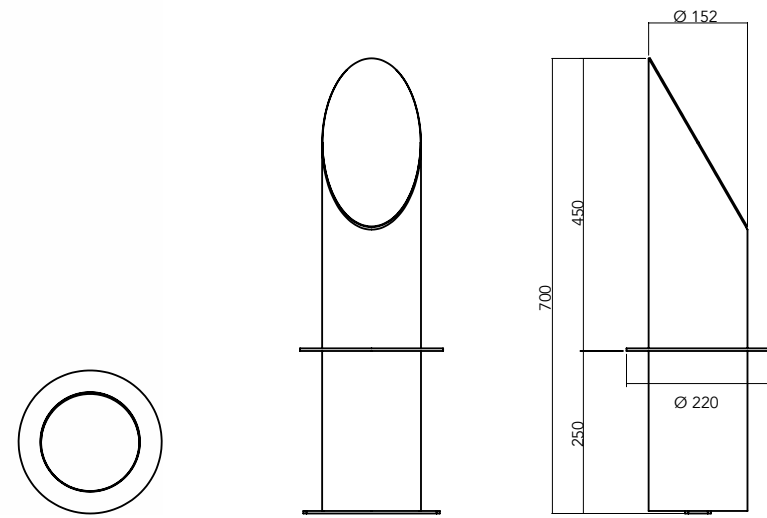
—
TWIST
CODE UL - DSR - 010



TOP A450

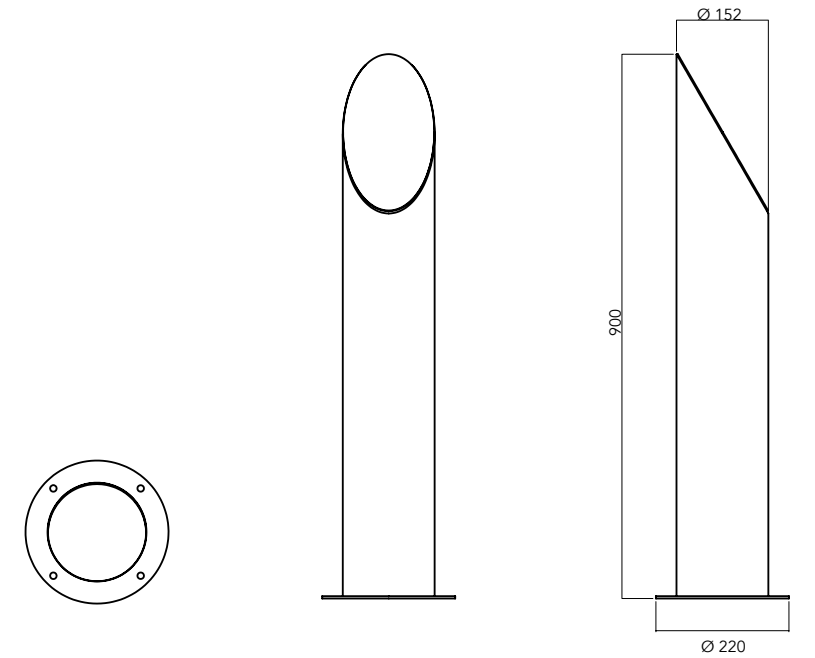


CON PIASTRA / WITH PLATE
CODE UL - DSR - 002 - 4

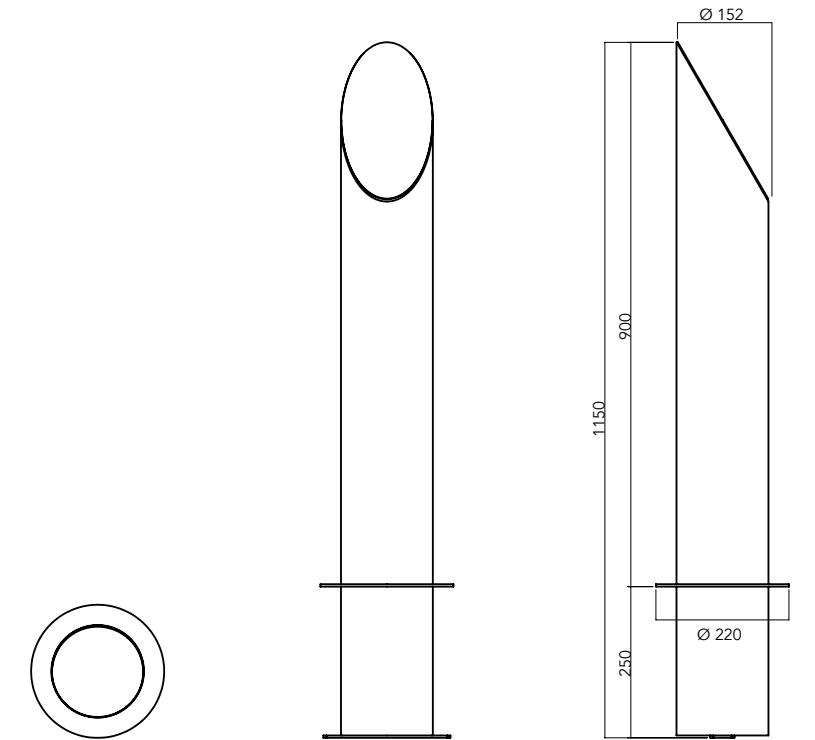


DA CEMENTARE / TO BE CEMENTED
CODE UL - DSR - 002 - 4C

TOP A900

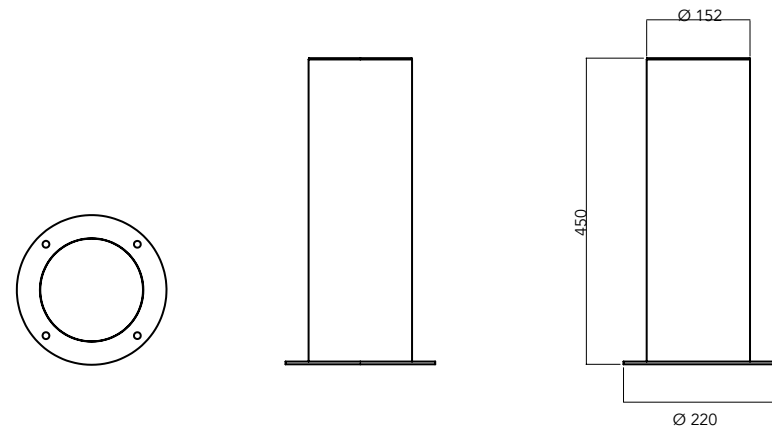


CON PIASTRA / WITH PLATE
CODE UL - DSR - 002 - 9

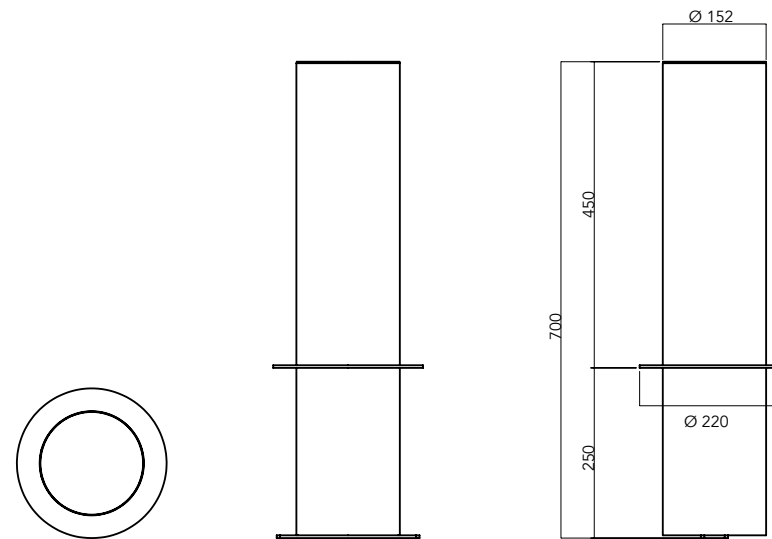


DA CEMENTARE / TO BE CEMENTED
CODE UL - DSR - 002 - 9C

PRIMO A450

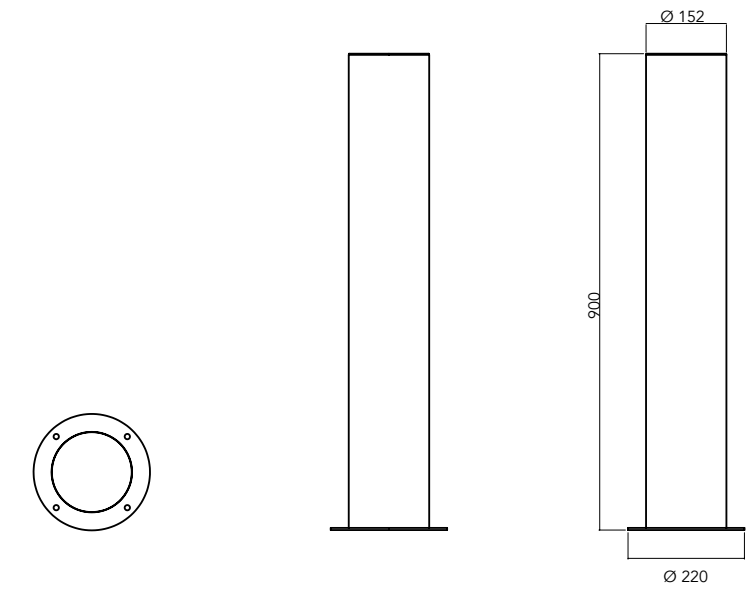


CON PIASTRA / WITH PLATE
CODE UL - DSR - 006 - 4

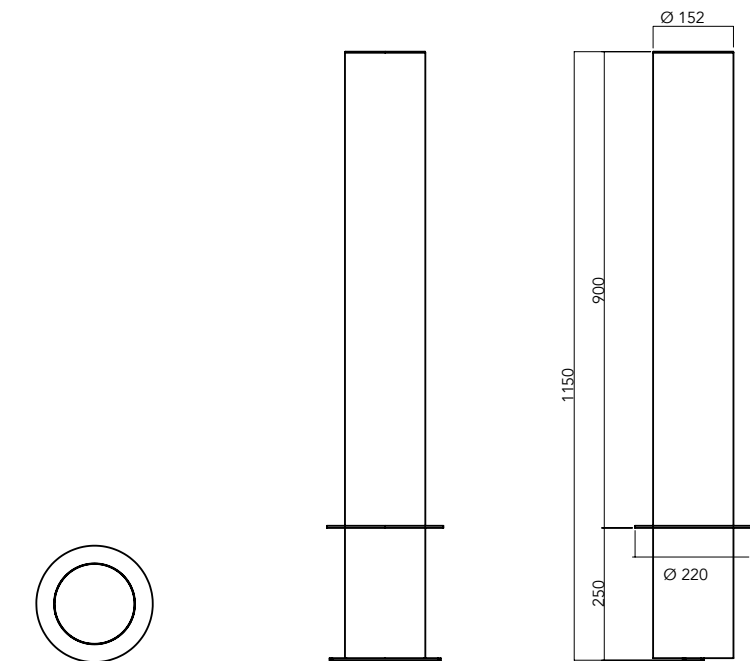


DA CEMENTARE / TO BE CEMENTED
CODE UL - DSR - 006 - 4C

PRIMO A900

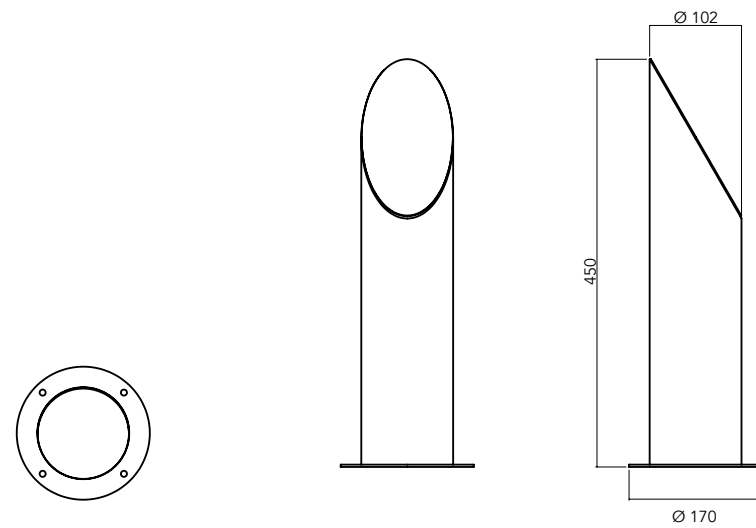


CON PIASTRA / WITH PLATE
CODE UL - DSR - 006 - 9



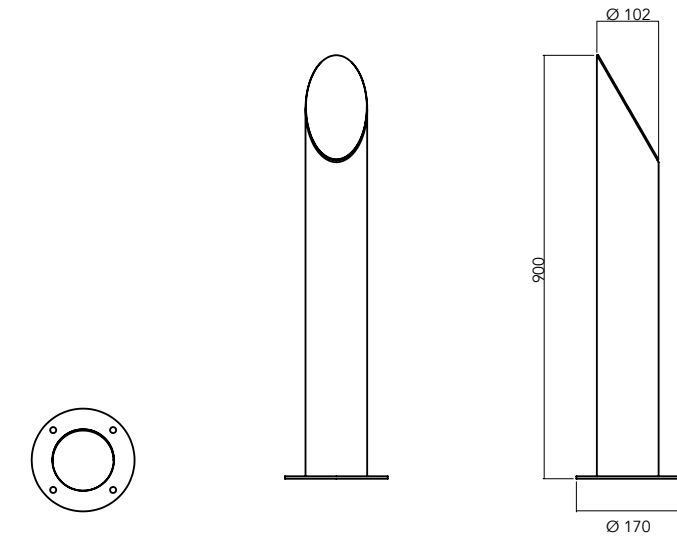
DA CEMENTARE / TO BE CEMENTED
CODE UL - DSR - 006 - 9C

TOP B450

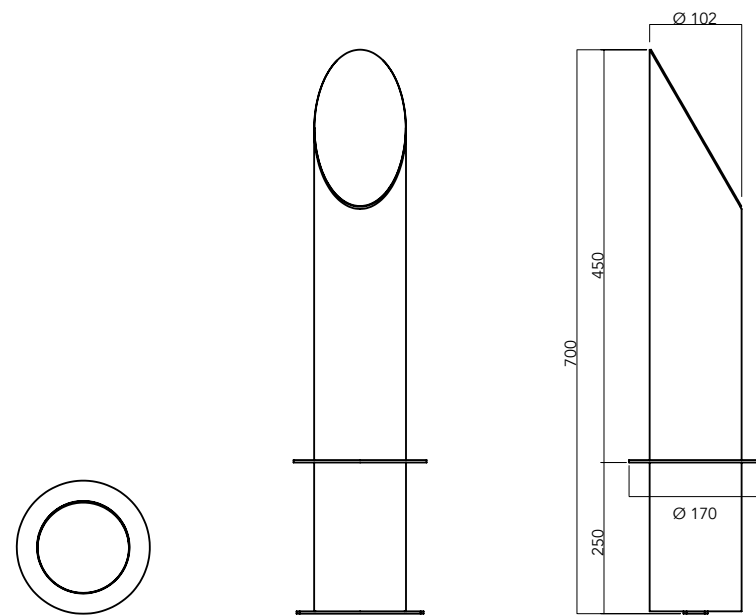


CON PIASTRA / WITH PLATE
CODE UL - DSR - 003 - 4

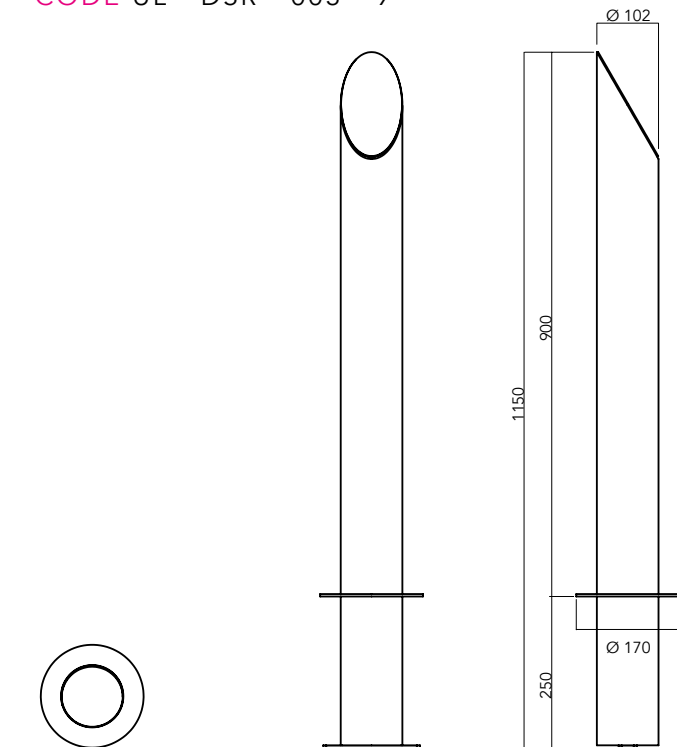
TOP B900



CON PIASTRA / WITH PLATE
CODE UL - DSR - 003 - 9



DA CEMENTARE / TO BE CEMENTED
CODE UL - DSR - 003 - 4C



DA CEMENTARE / TO BE CEMENTED
CODE UL - DSR - 003 - 9C

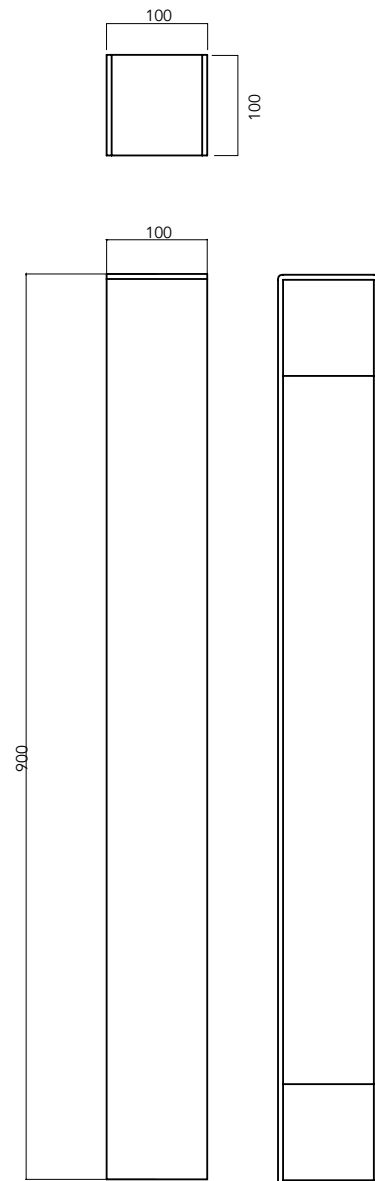
BRAND

CON PIASTRA / WITH PLATE

CODE UL - DSR - 008

DA CEMENTARE / TO BE CEMENTED

CODE UL - DSR - 008C



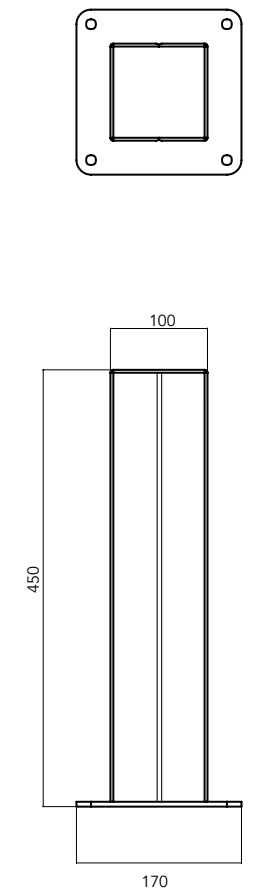
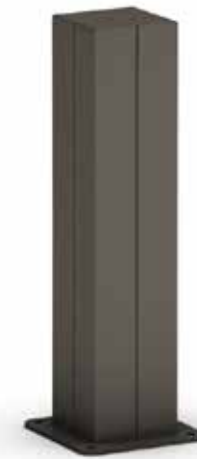
SQUARE 450

CON PIASTRA / WITH PLATE

CODE UL - DSR - 005

DA CEMENTARE / TO BE CEMENTED

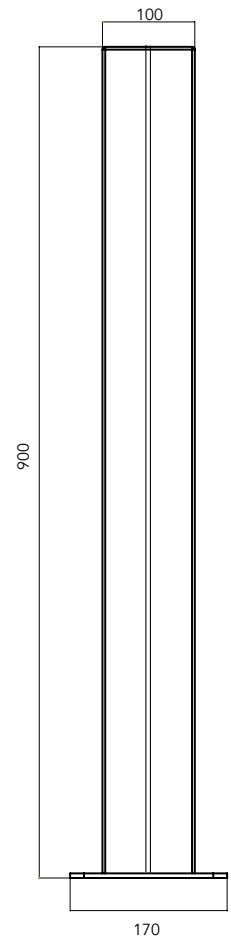
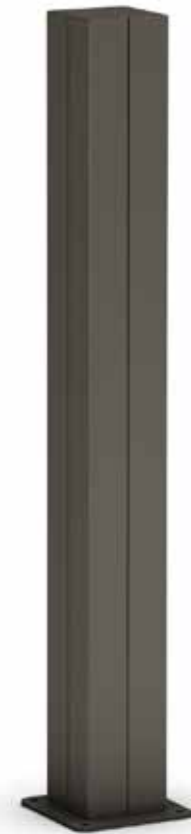
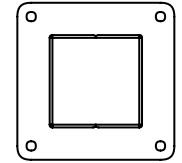
CODE UL - DSR - 005C



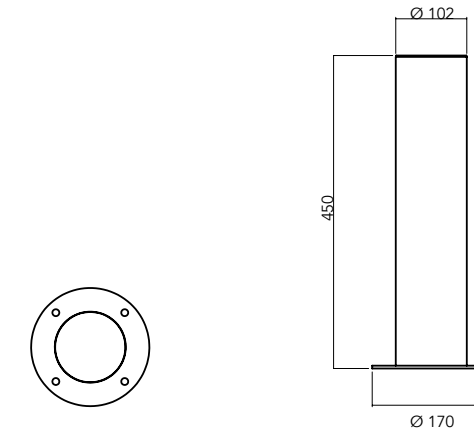
SQUARE 900

CON PIASTRA / WITH PLATE CODE UL - DSR - 004

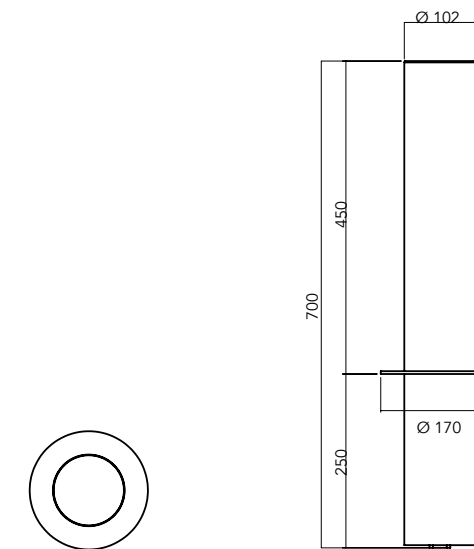
DA CEMENTARE / TO BE CEMENTED CODE UL - DSR - 004C



PRIMO B450



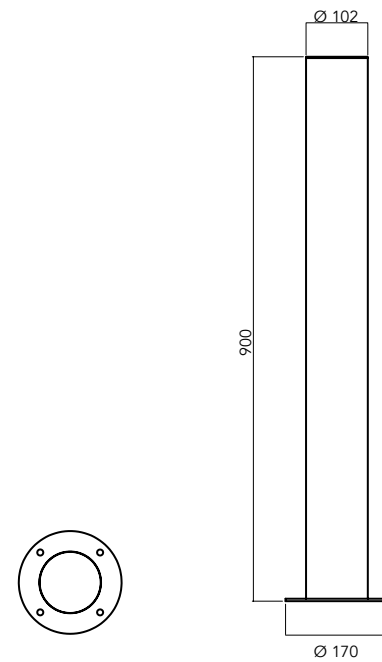
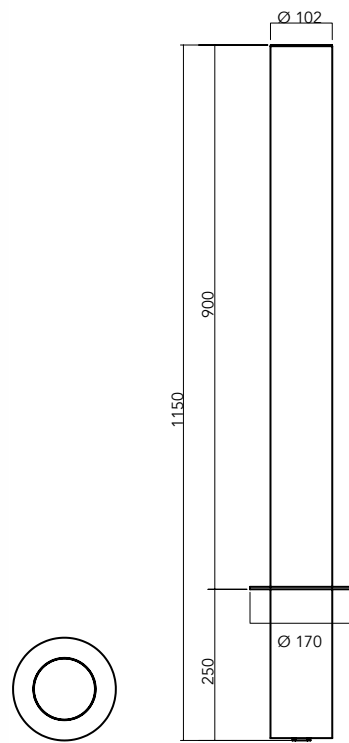
CON PIASTRA / WITH PLATE
CODE UL - DSR - 007 - 4



DA CEMENTARE / TO BE CEMENTED
CODE UL - DSR - 007 - 4C

PRIMO B900

DA CEMENTARE / TO BE CEMENTED
CODE UL - DSR - 007 - 9C



CON PIASTRA / WITH PLATE
CODE UL - DSR - 007 - 9

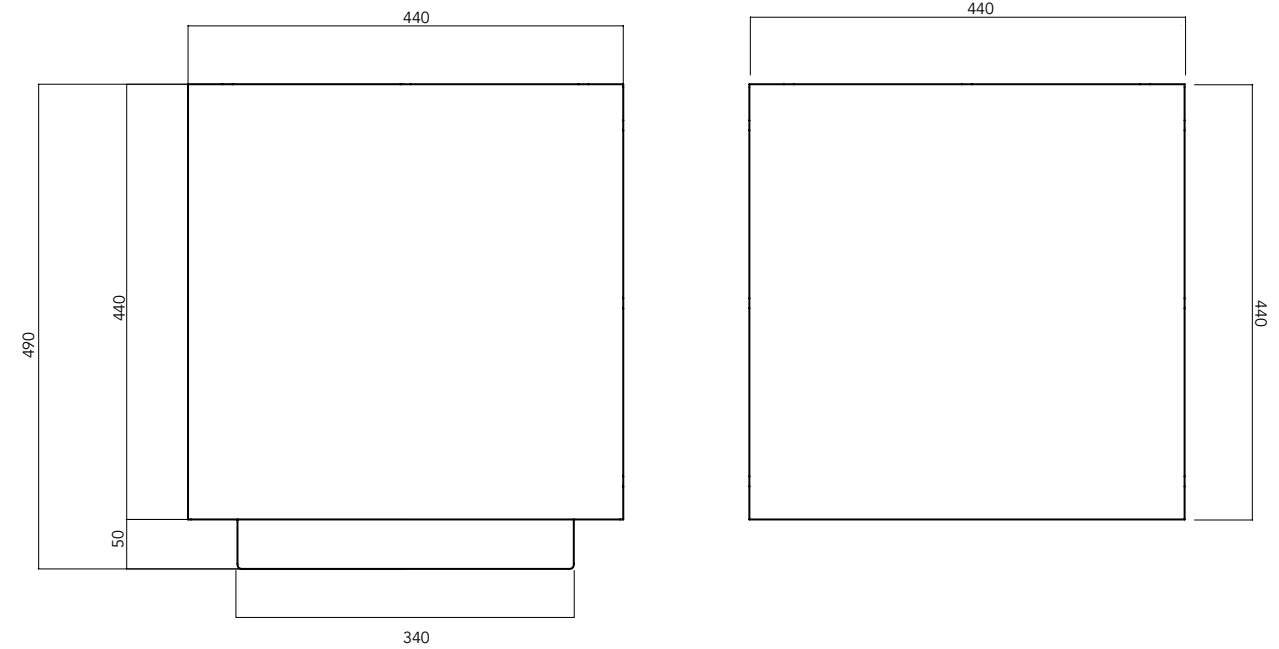


CUBE

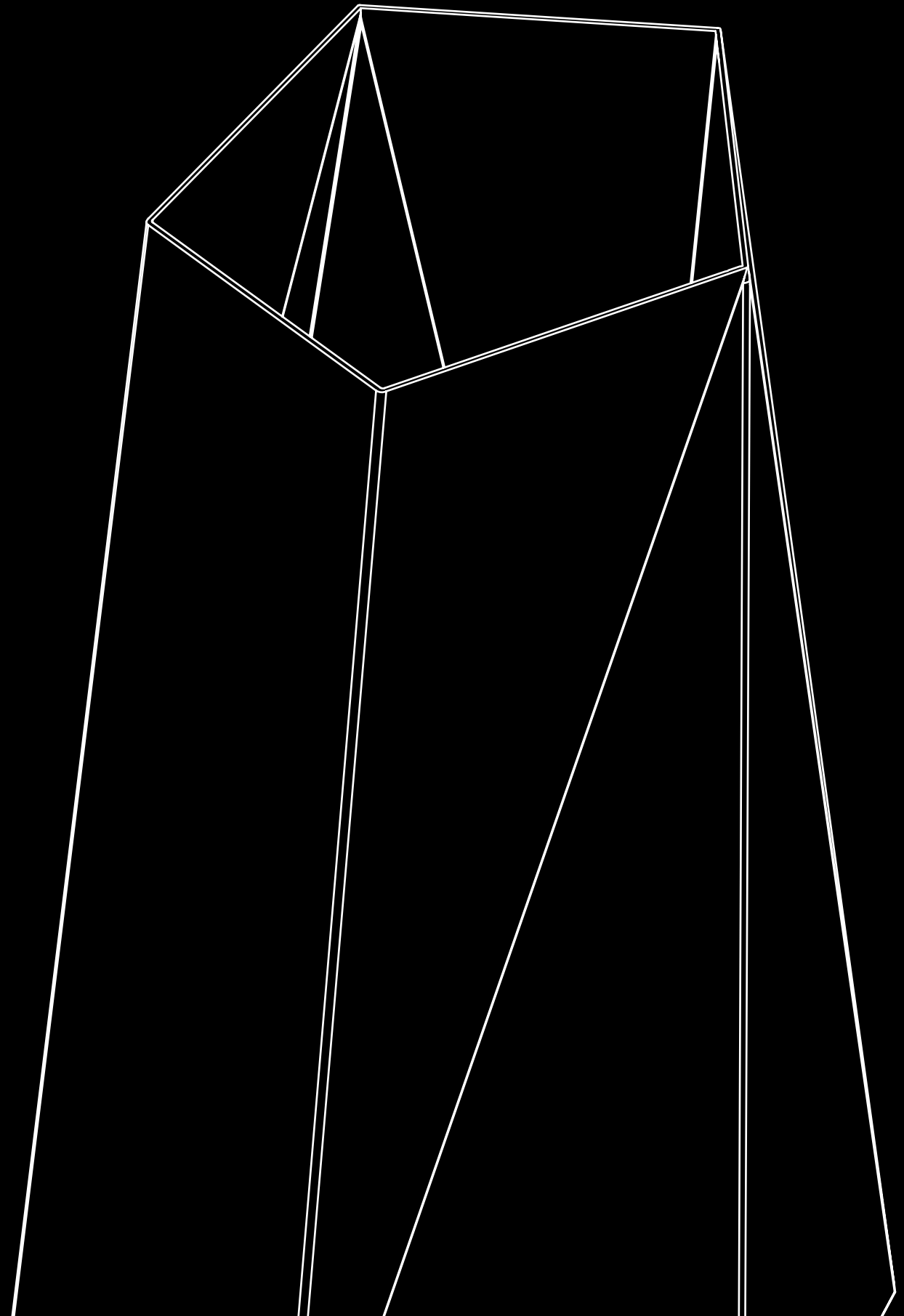
CODE CON PIASTRA / WITH PLATE

UL - DSR - 009

 OPTIONAL LUCE LED / LED LIGHT

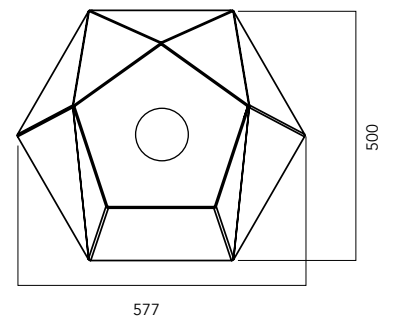
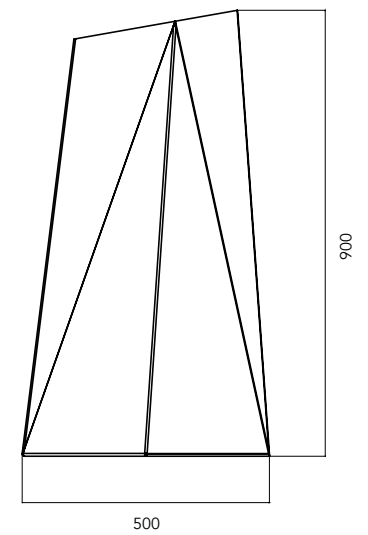
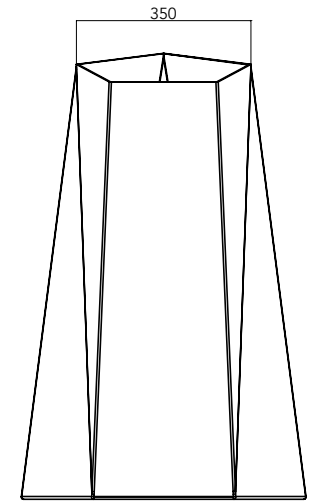


**FIORIERE
PLANTERS**



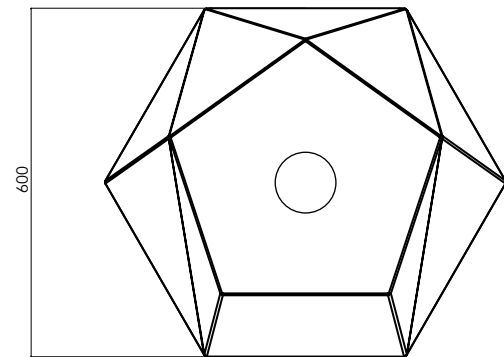
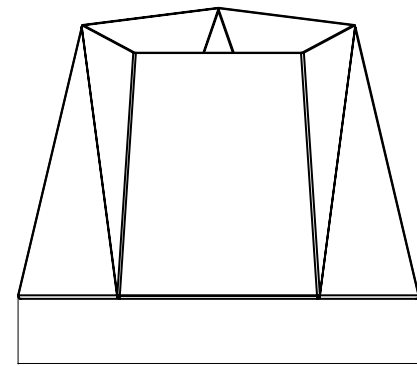
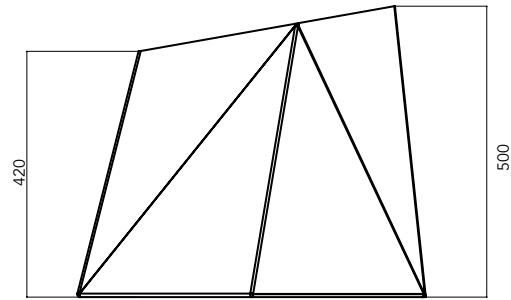
TWIST 900

CODE UL-FRR-001



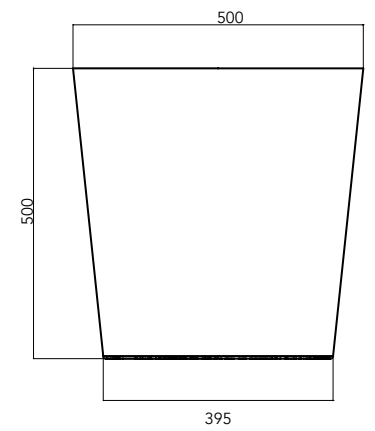
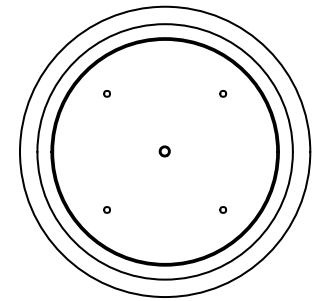
TWIST 500

CODE UL - FRR - 002



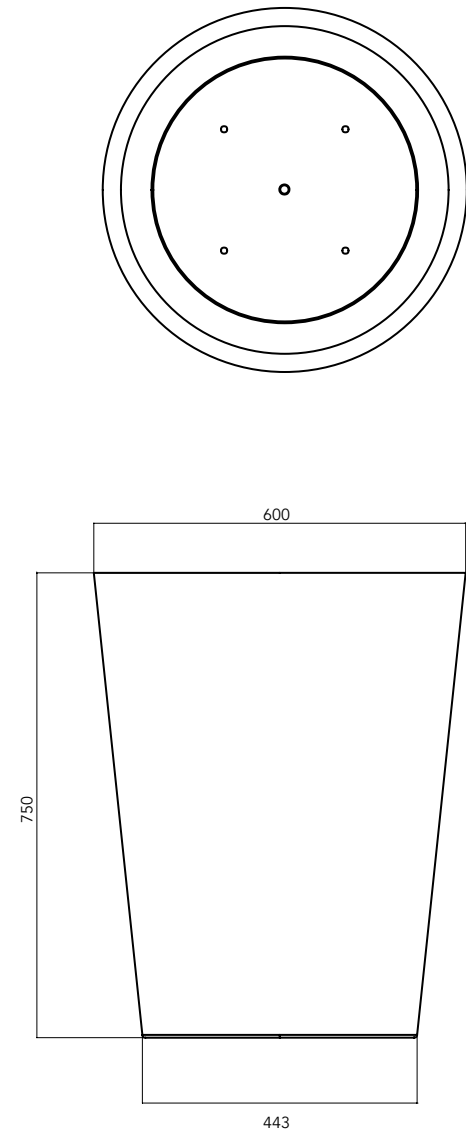
CONE S

CODE UL - FRR - 004



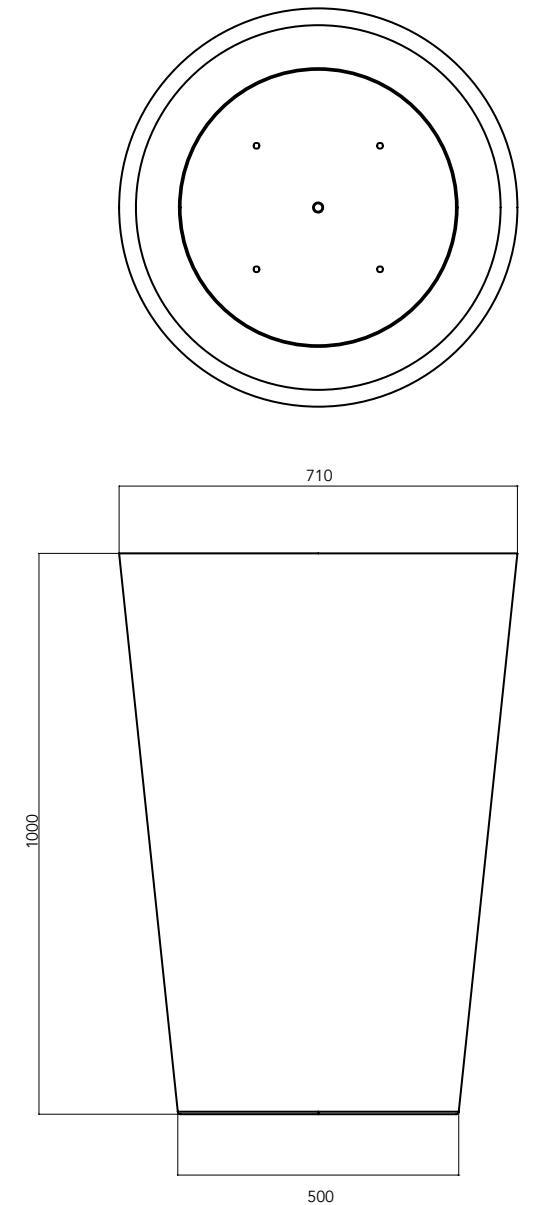
CONE M

CODE UL - FRR - 005



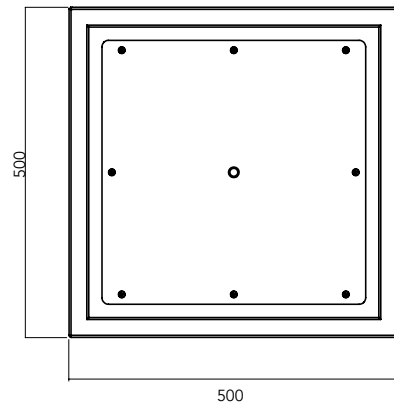
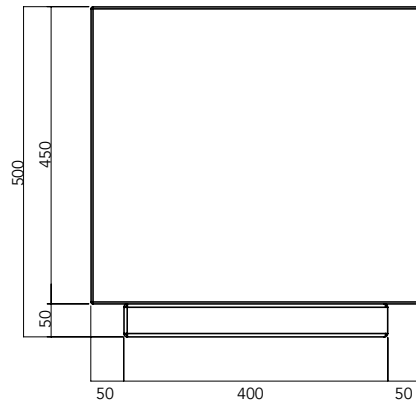
CONE L

CODE UL - FRR - 006



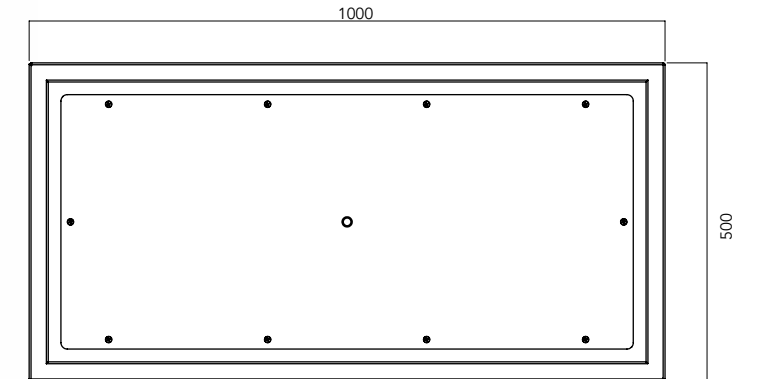
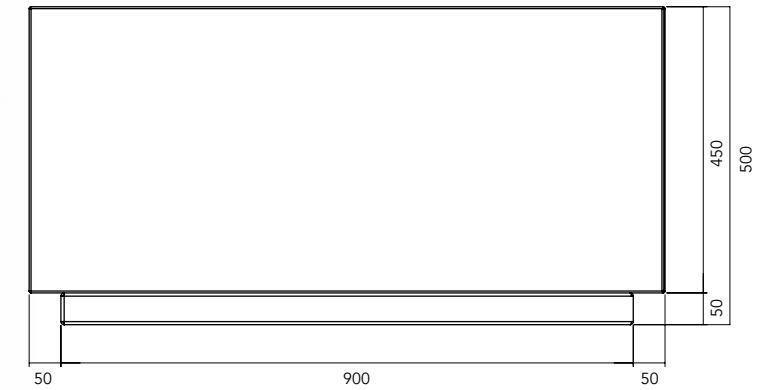
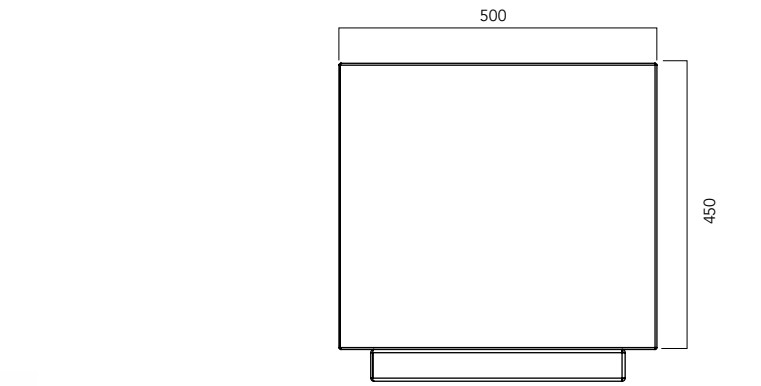
CUBICA A

CODE UL - FRR - 007



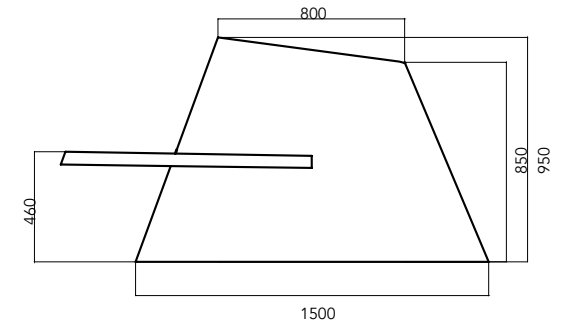
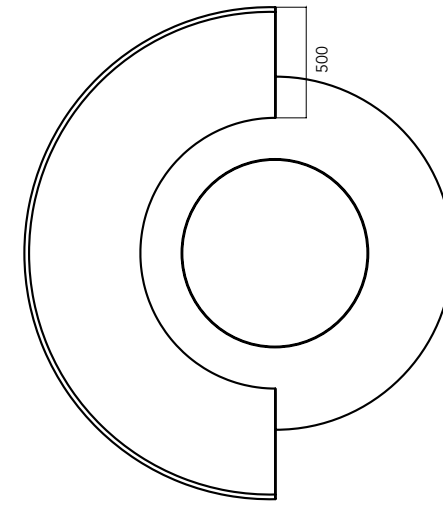
CUBICA B

CODE UL - FRR - 008



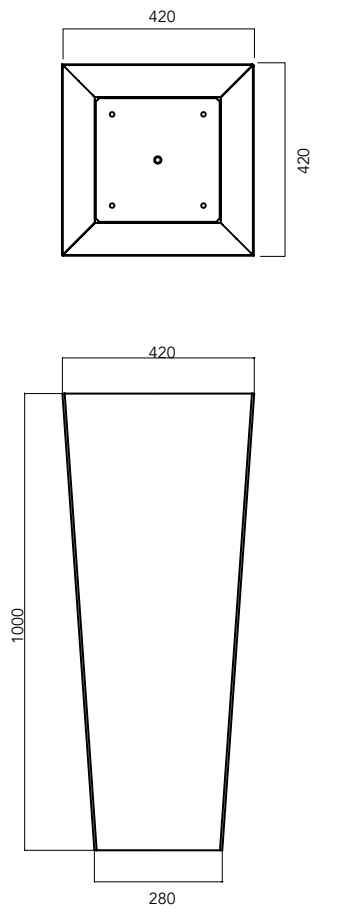
CONE PLUS

CODE UL - FRR - 010



PIN UP

CODE UL - FRR - 003



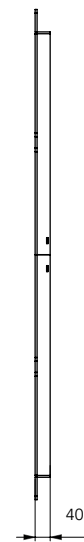
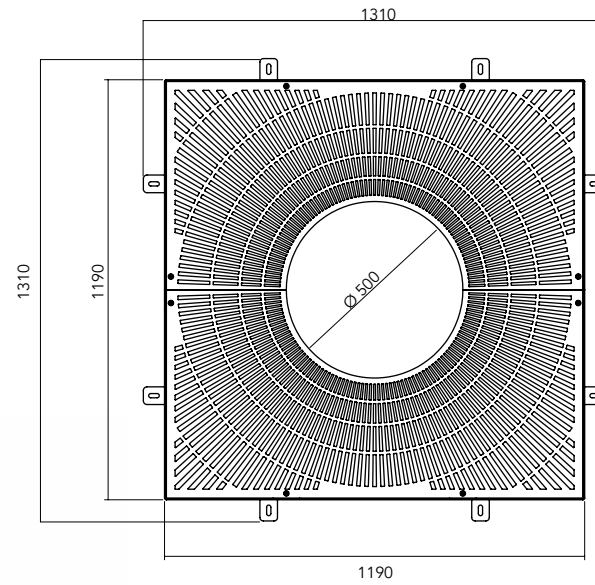


SALVAPIANTE TREEGUARDS

LINE 1

CODE

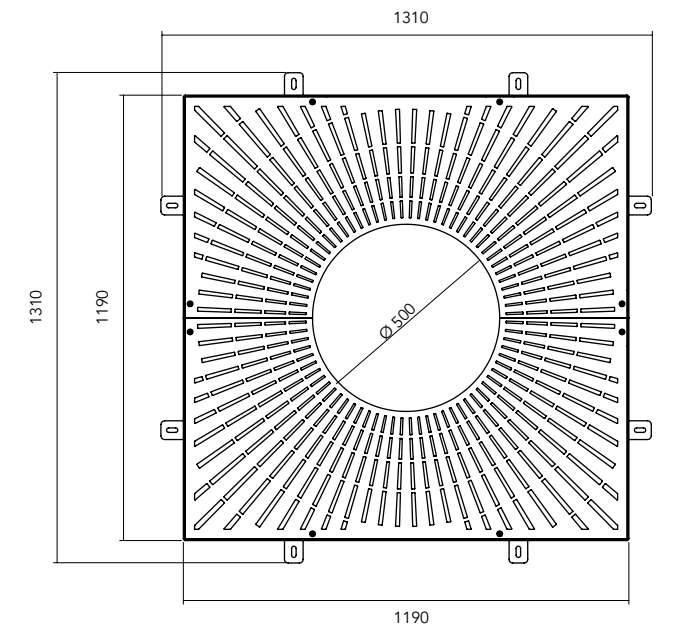
- UL-SLP-003-A 735 X 735 mm, Ø 320 mm
- UL-SLP-003-B 990 X 990 mm, Ø 500 mm
- UL-SLP-003-C 1190 X 1190 mm, Ø 500 mm
- UL-SLP-003-D 1190 X 1190 mm, Ø 800 mm
- UL-SLP-003-E 1440 X 1440 mm, Ø 800 mm
- UL-SLP-003-F 1990 X 1990 mm, Ø 800 mm



LINE 2

CODE

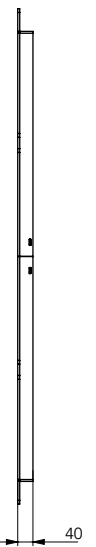
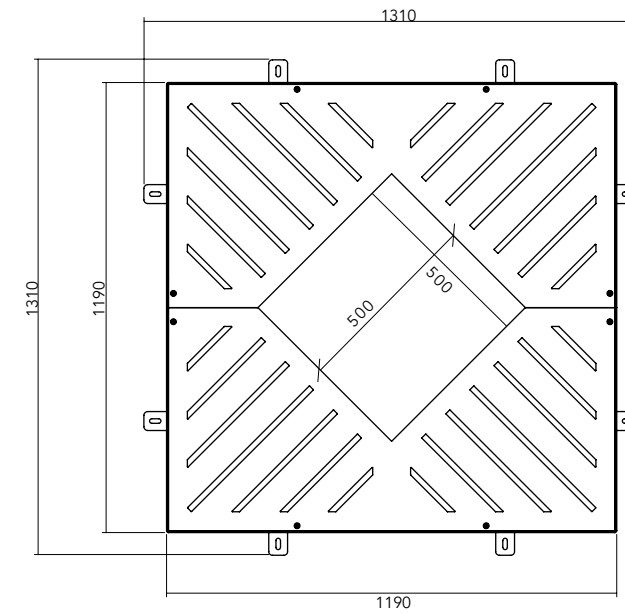
- UL-SLP-005-A 735 X 735 mm, Ø 320 mm
- UL-SLP-005-B 990 X 990 mm, Ø 500 mm
- UL-SLP-005-C 1190 X 1190 mm, Ø 500 mm
- UL-SLP-005-D 1190 X 1190 mm, Ø 800 mm
- UL-SLP-005-E 1440 X 1440 mm, Ø 800 mm
- UL-SLP-005-F 1990 X 1990 mm, Ø 800 mm



LINE 3

CODE

- UL-SLP-004-A 735 X 735 mm, f./h. 320 x 320 mm
- UL-SLP-004-B 990 X 990 mm, f./h. 500 x 500 mm
- UL-SLP-004-C 1190 X 1190 mm, f./h. 500 x 500 mm
- UL-SLP-004-D 1190 X 1190 mm, f./h. 800 x 800 mm
- UL-SLP-004-E 1440 X 1440 mm, f./h. 800 x 800 mm
- UL-SLP-004-F 1990 X 1990 mm, f./h. 800 x 800 mm

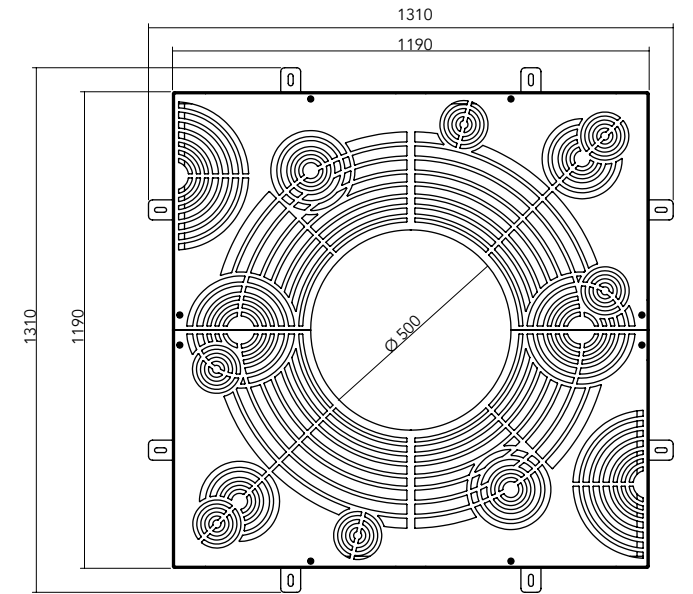


DROP



CODE

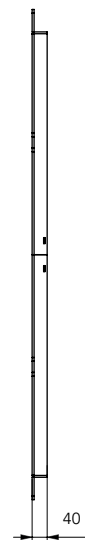
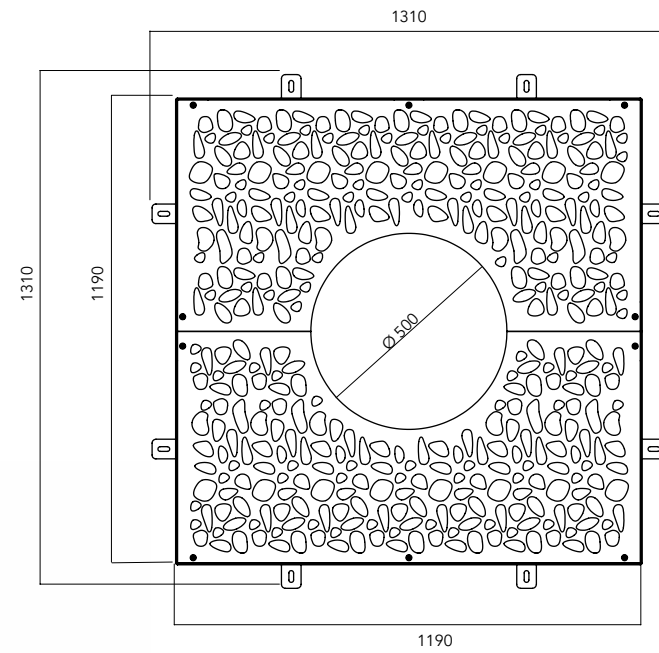
- UL-SLP-001-A 735 X 735 mm, Ø 320 mm
- UL-SLP-001-B 990 X 990 mm, Ø 500 mm
- UL-SLP-001-C 1190 X 1190 mm, Ø 500 mm
- UL-SLP-001-D 1190 X 1190 mm, Ø 800 mm
- UL-SLP-001-E 1440 X 1440 mm, Ø 800 mm
- UL-SLP-001-F 1990 X 1990 mm, Ø 800 mm



CLAPS

CODE

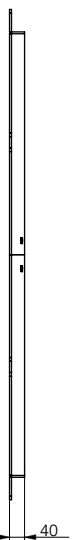
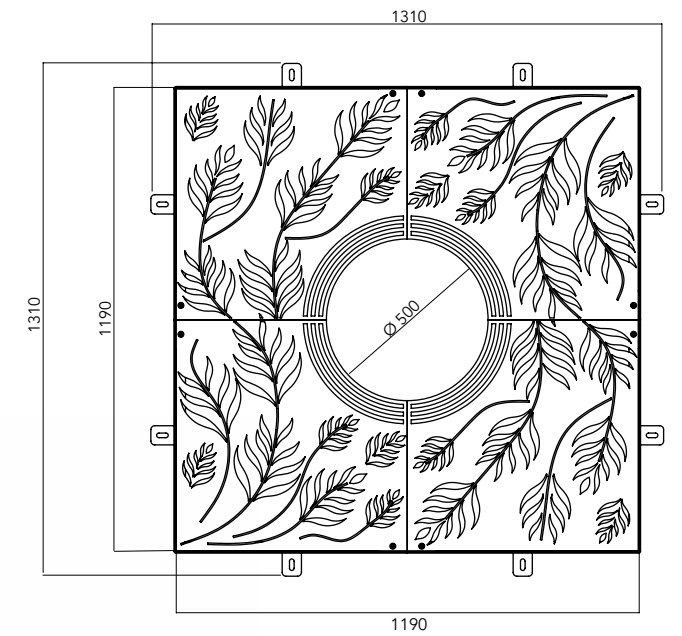
- UL-SLP-007-A 735 X 735 mm, Ø 320 mm
- UL-SLP-007-B 990 X 990 mm, Ø 500 mm
- UL-SLP-007-C 1190 X 1190 mm, Ø 500 mm
- UL-SLP-007-D 1190 X 1190 mm, Ø 800 mm
- UL-SLP-007-E 1440 X 1440 mm, Ø 800 mm
- UL-SLP-007-F 1990 X 1990 mm, Ø 800 mm



LEAFS

CODE

- UL-SLP-002-A 735 X 735 mm, Ø 320 mm
- UL-SLP-002-B 990 X 990 mm, Ø 500 mm
- UL-SLP-002-C 1190 X 1190 mm, Ø 500 mm
- UL-SLP-002-D 1190 X 1190 mm, Ø 800 mm
- UL-SLP-002-E 1440 X 1440 mm, Ø 800 mm
- UL-SLP-002-F 1990 X 1990 mm, Ø 800 mm

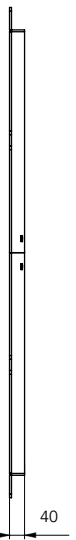
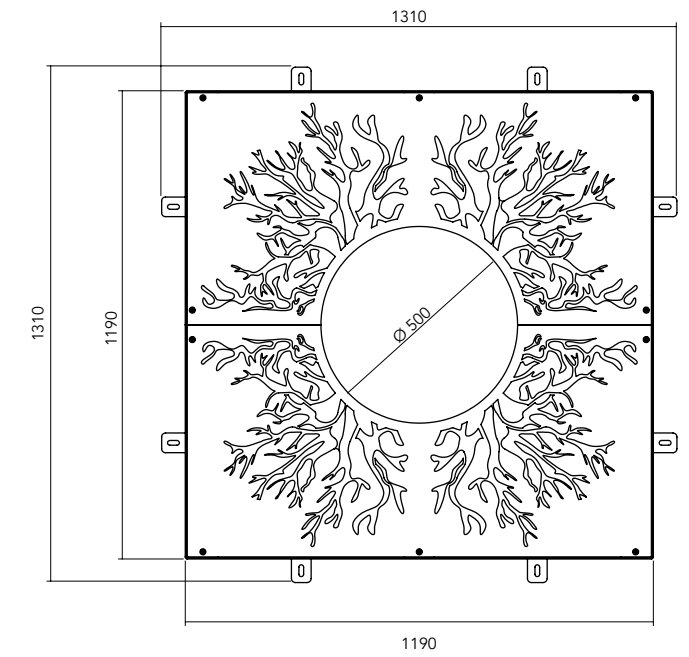


ROOTS



CODE

- UL-SLP-006-A 735 X 735 mm, Ø 320 mm
- UL-SLP-006-B 990 X 990 mm, Ø 500 mm
- UL-SLP-006-C 1190 X 1190 mm, Ø 500 mm
- UL-SLP-006-D 1190 X 1190 mm, Ø 800 mm
- UL-SLP-006-E 1440 X 1440 mm, Ø 800 mm
- UL-SLP-006-F 1990 X 1990 mm, Ø 800 mm

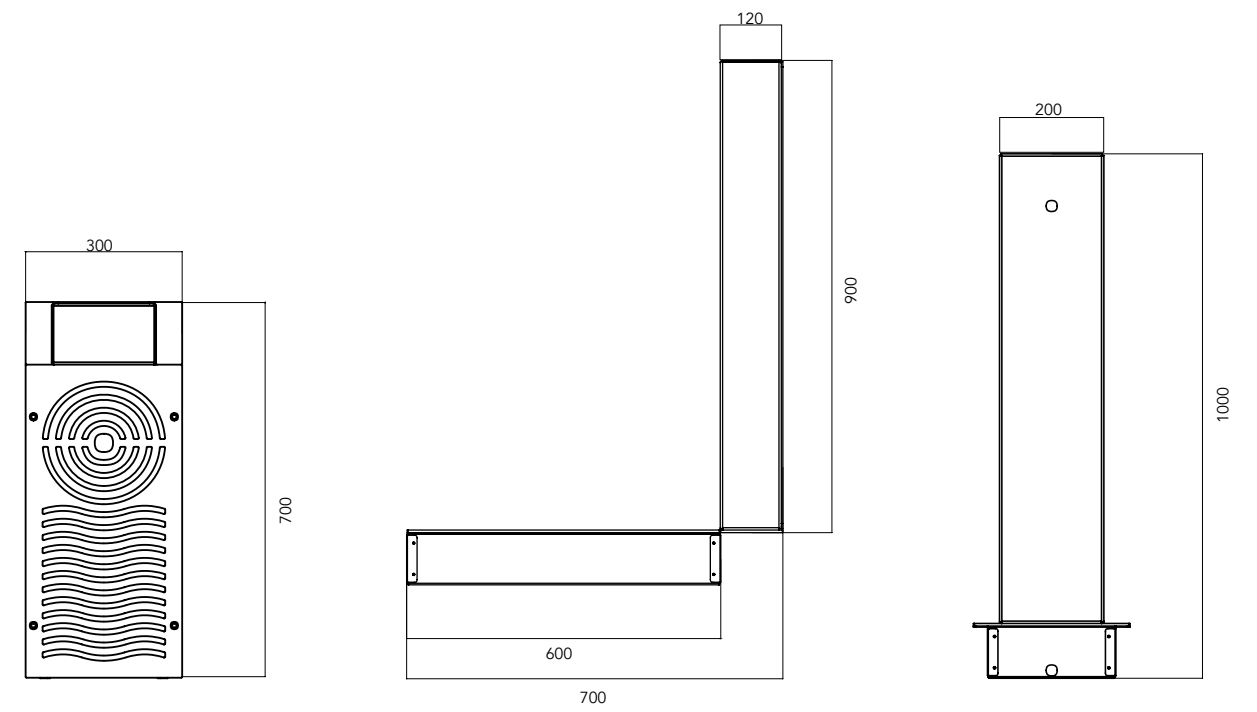




FONTANE
DRINK FOUNTAINS

CLEAN

CODE UL - FNT - 001



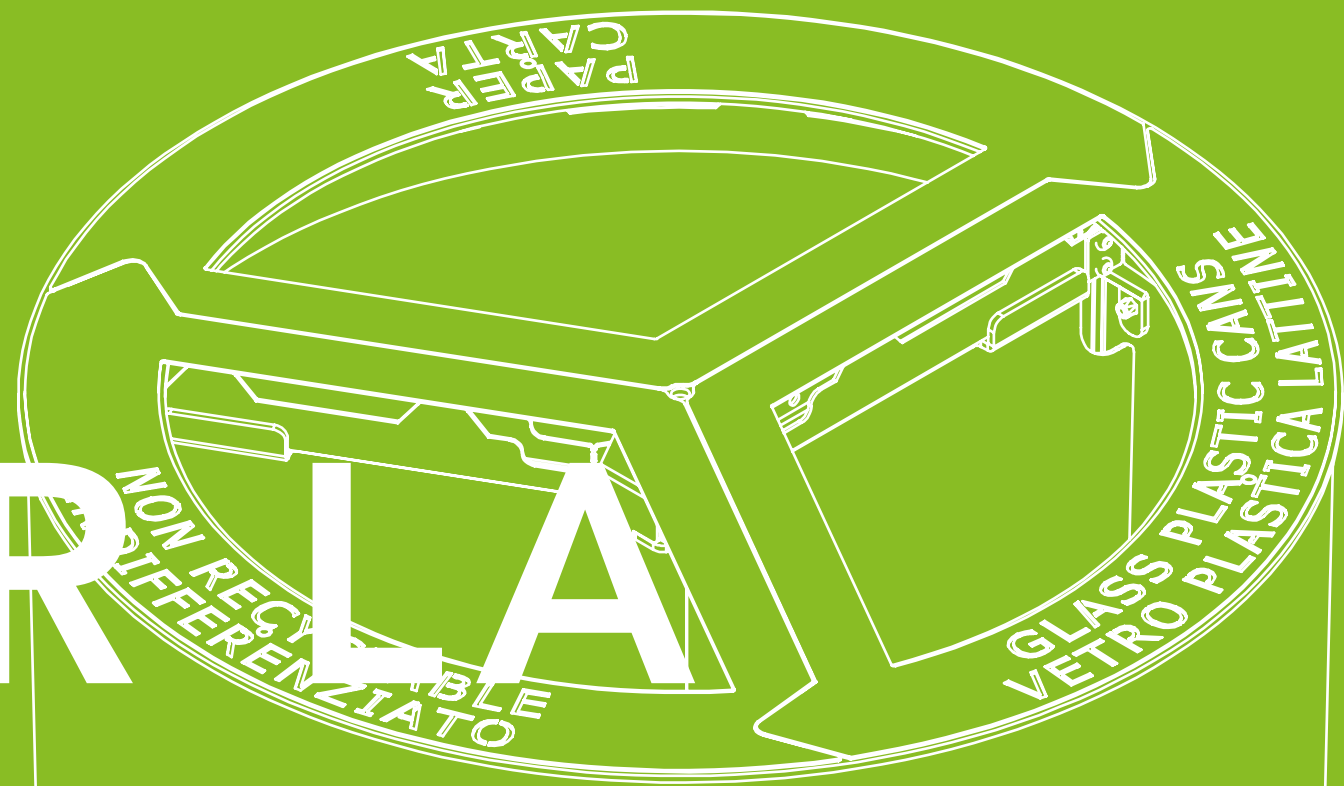


INDEX ECO LIFE

- 298 **CESTINI PER LA RACCOLTA DIFFERENZIATA**
RECYCLING BINS
- 322 **CONTENITORI PER LAMPADE E RAEE**
CONTAINERS FOR LAMPS AND WEEE
- 328 **CONTENITORI PER PILE ESAUSTE**
CONTAINERS FOR EXHAUSTED BATTERIES
-

ECO
LIFE

CESTINI PER
RACCOLTA
DIFFERENZIATA
RECYCLING BINS

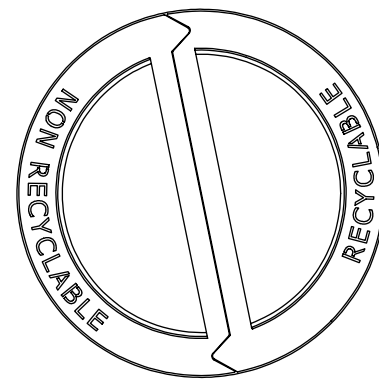
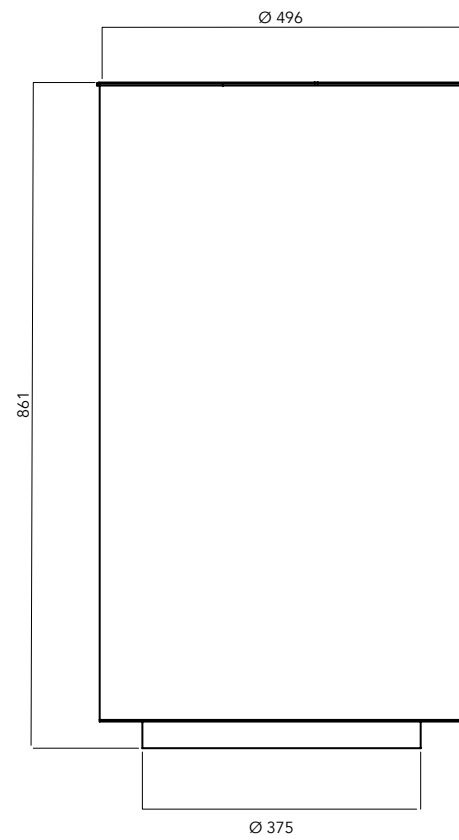




RECYBIN 2

CODE UL - CST - 002

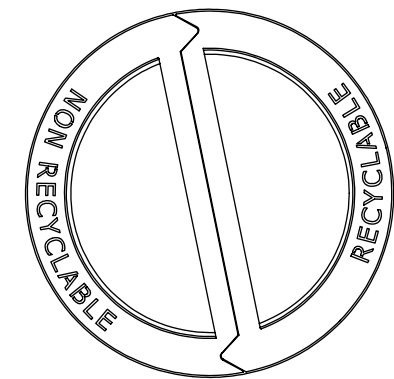
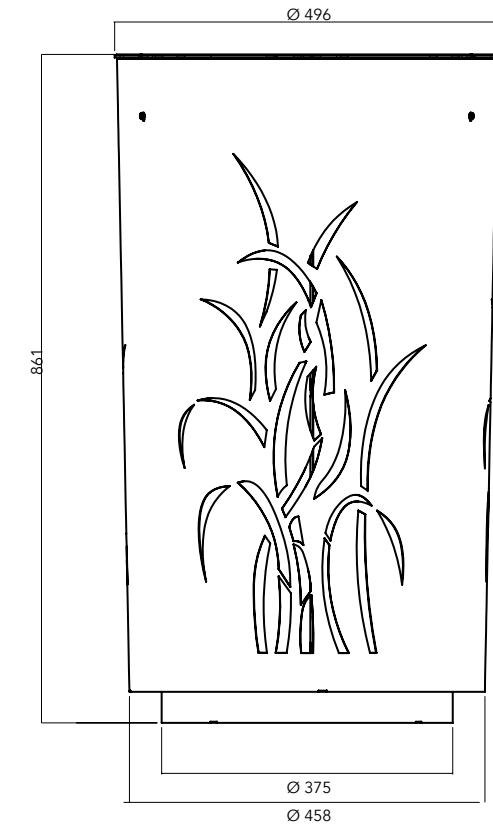
C: 2 X 60 LT



RECYBIN GRASS 2

CODE UL - CST - 006

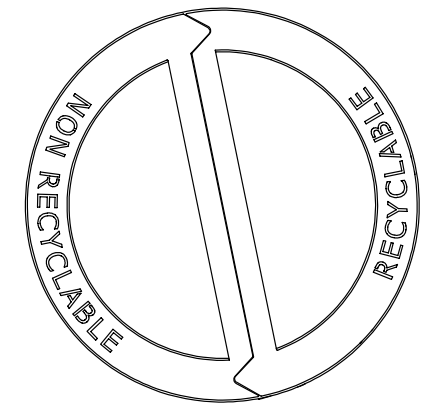
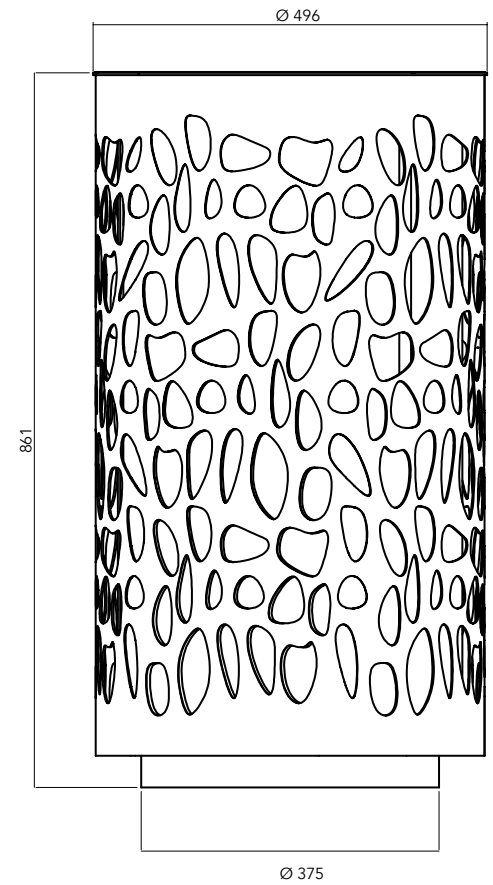
C: 2 X 60 LT



RECYBIN CLAPS 2

CODE UL - CST - 007

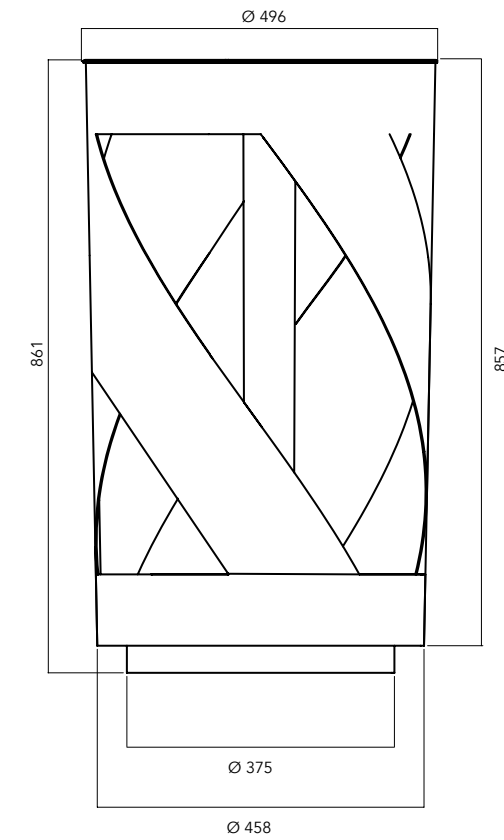
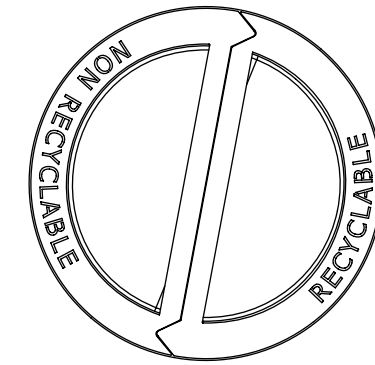
C: 2 X 60 LT



RECYBIN VP 2

CODE UL - CST - 010

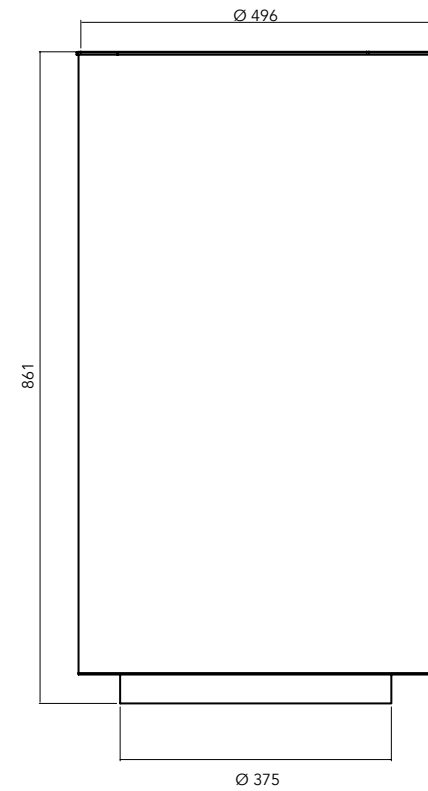
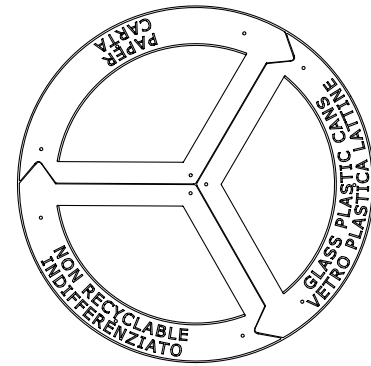
C: 2 X 60 LT



RECYBIN 3

CODE UL - CST - 001

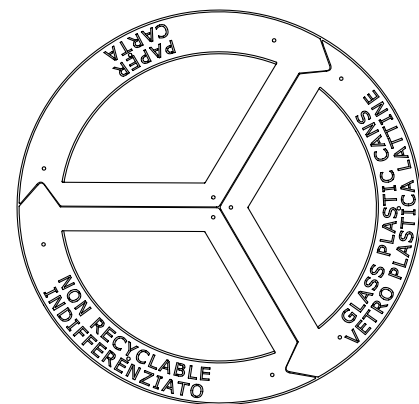
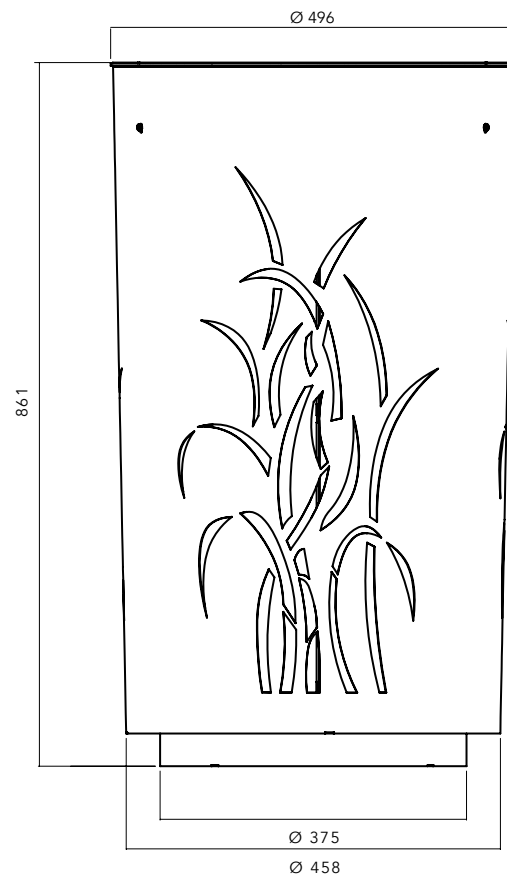
C: 3 X 40 LT



RECYBIN GRASS 3

CODE UL - CST - 005

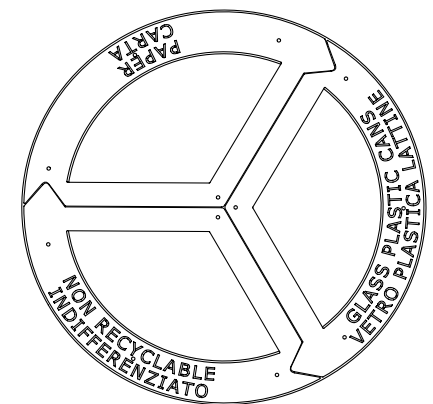
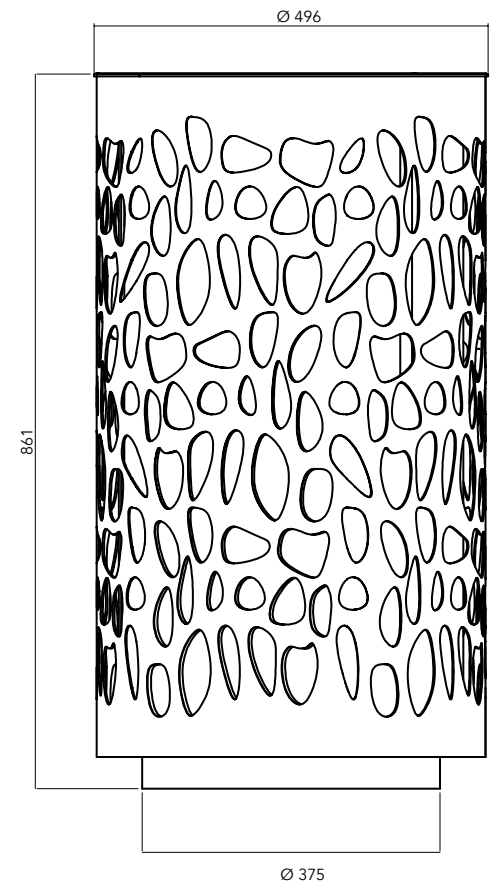
C: 3 X 40 LT



RECYBIN CLAPS 3

CODE UL - CST - 008

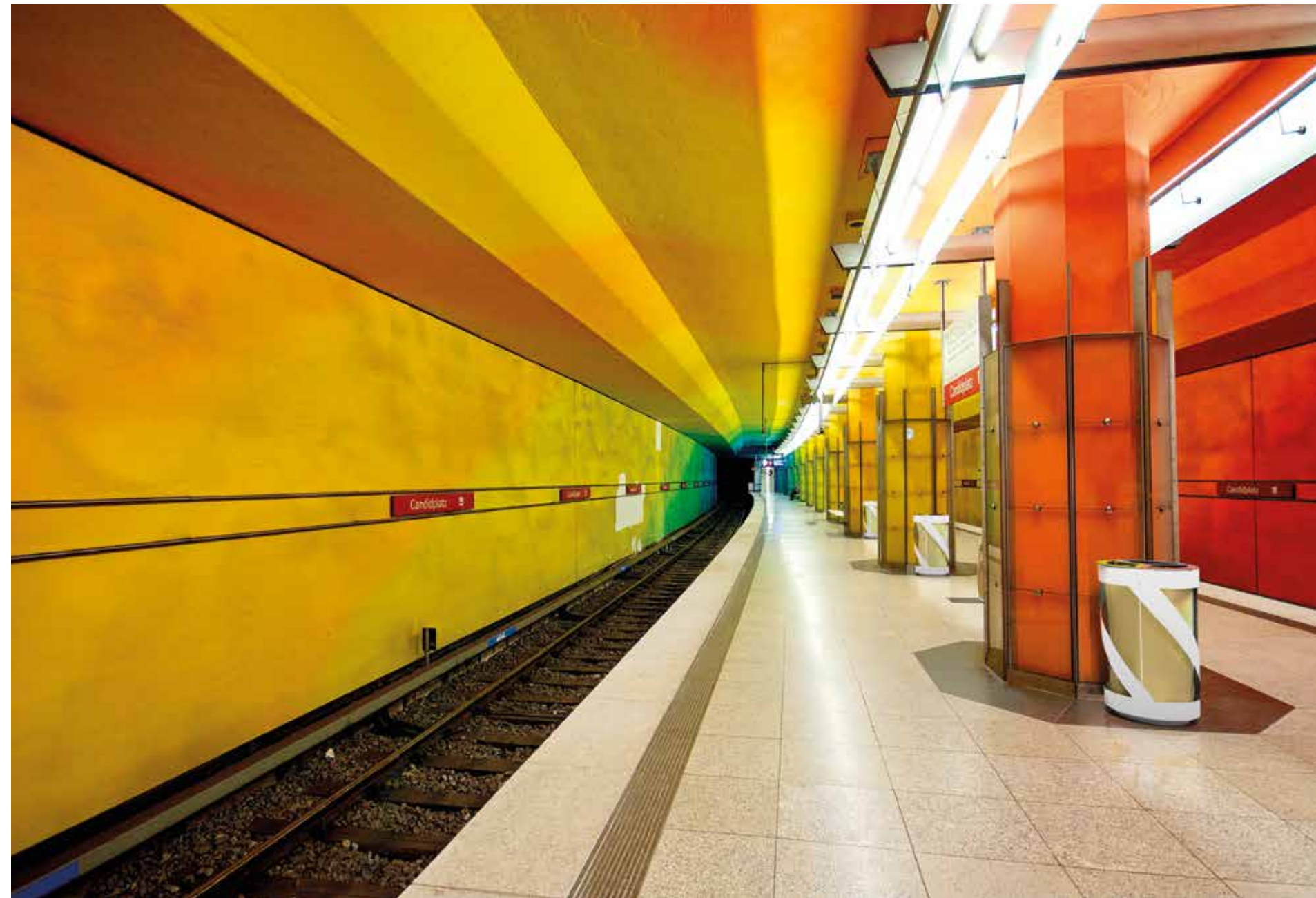
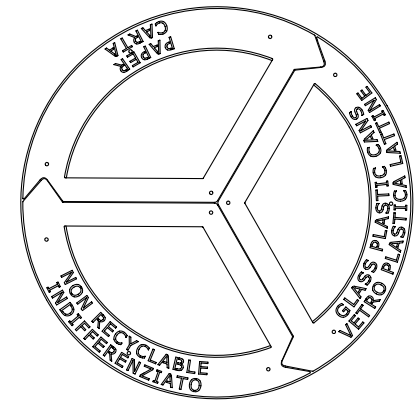
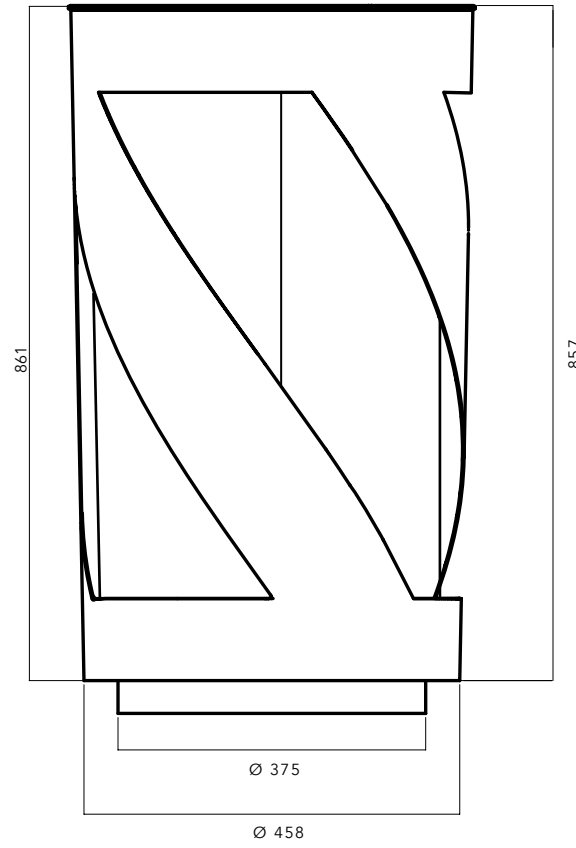
C: 3 X 40 LT



RECYBIN VP 3

CODE UL - CST - 011

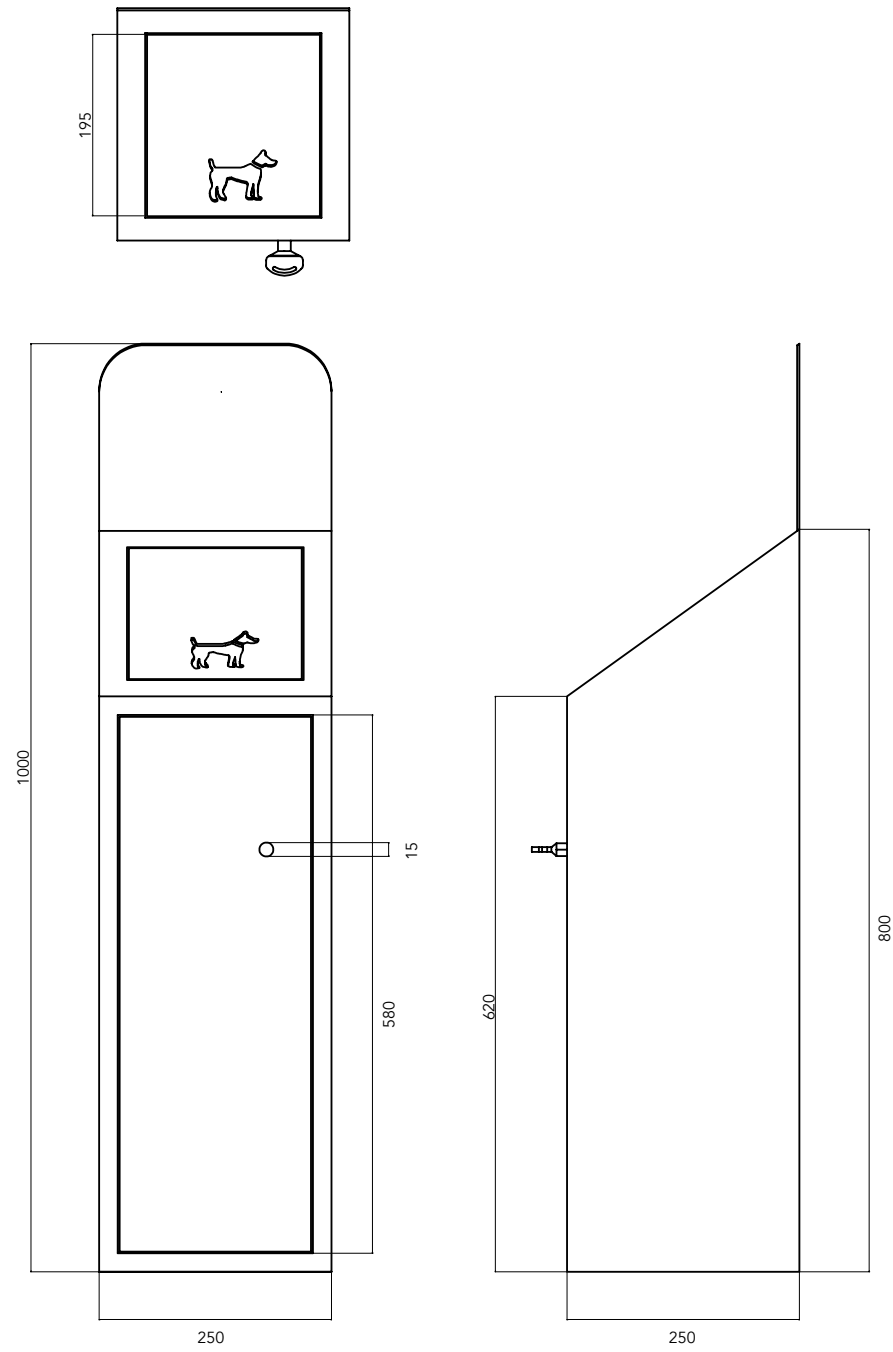
C: 3 X 40 LT



WILLY

CODE UL - CST - 036

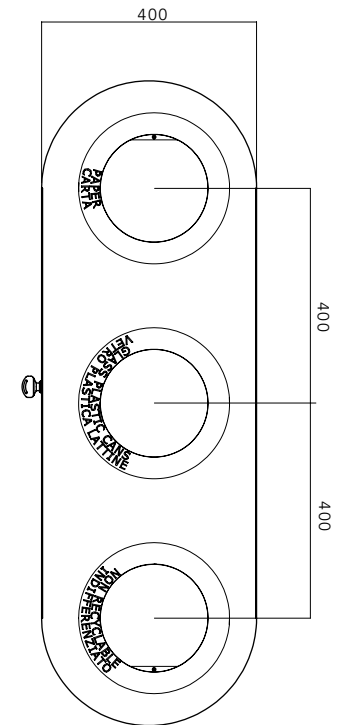
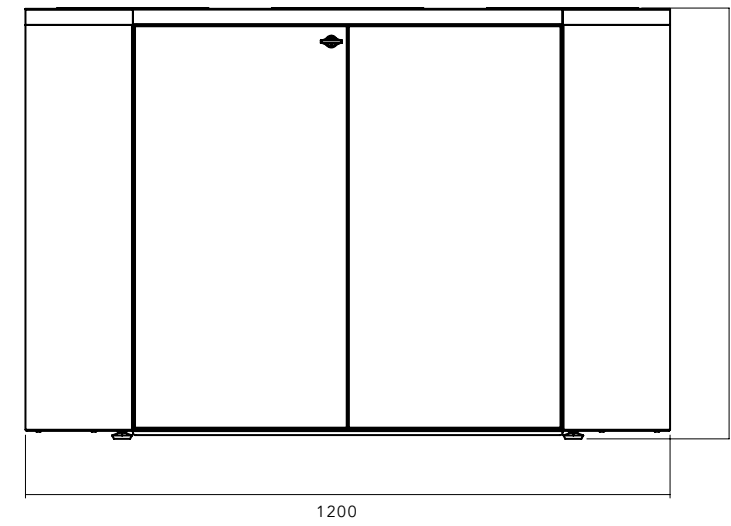
C: 1X 30 LT



AIR

CODE UL - CST - 009

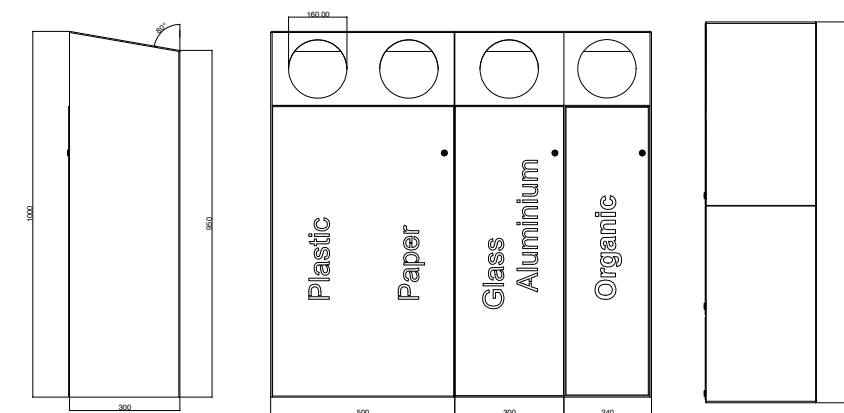
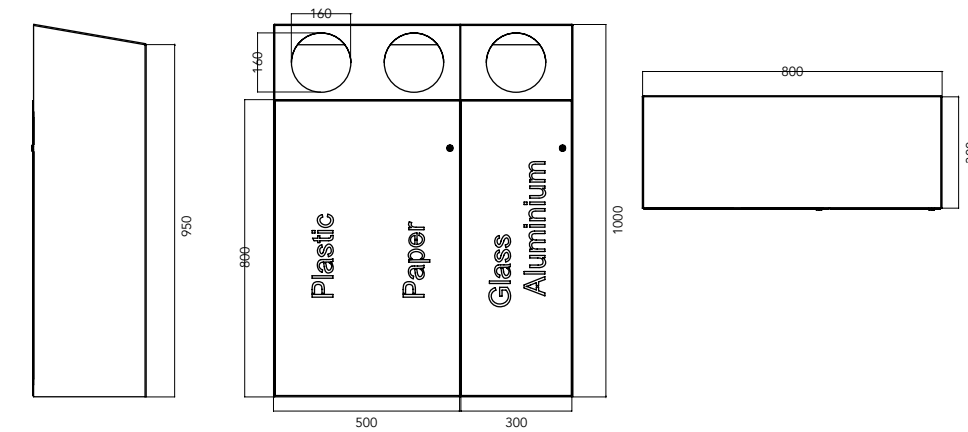
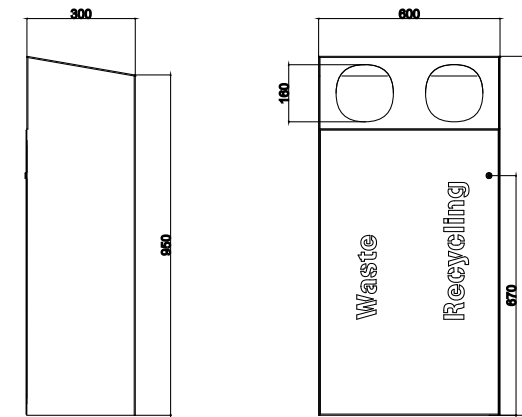
C: 3 X 85 LT



DUBY

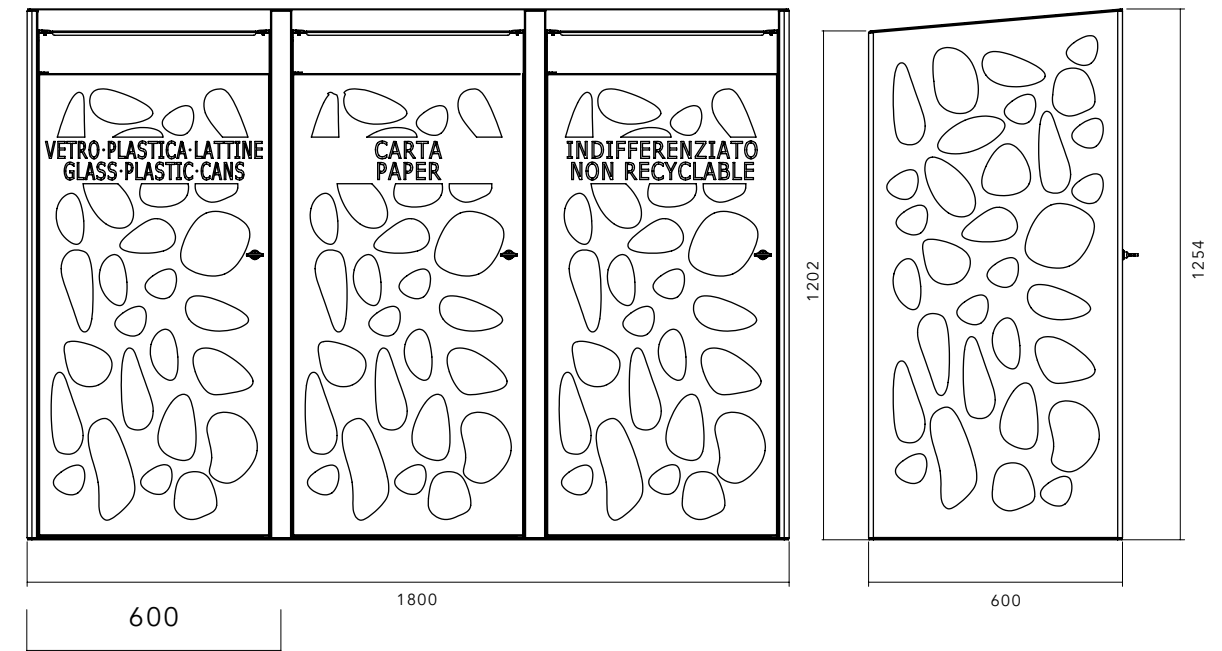
CODE UL - CST - 035

- C: 1 x Plastica / Plastic 50 LT
- 1 x Carta/Paper 50 LT
- 1 x Vetro/Alluminio Glass/Aluminium 60 LT

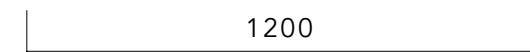


COVER BIN CLAPS

CODE A UL - CST - 012 - A / CODE B UL - CST - 012 - B / CODE C UL - CST - 012 - C



CODE A UL - CST - 012 - A
CAPACITÀ / CAPACITY 1 X 120/240/360 lt



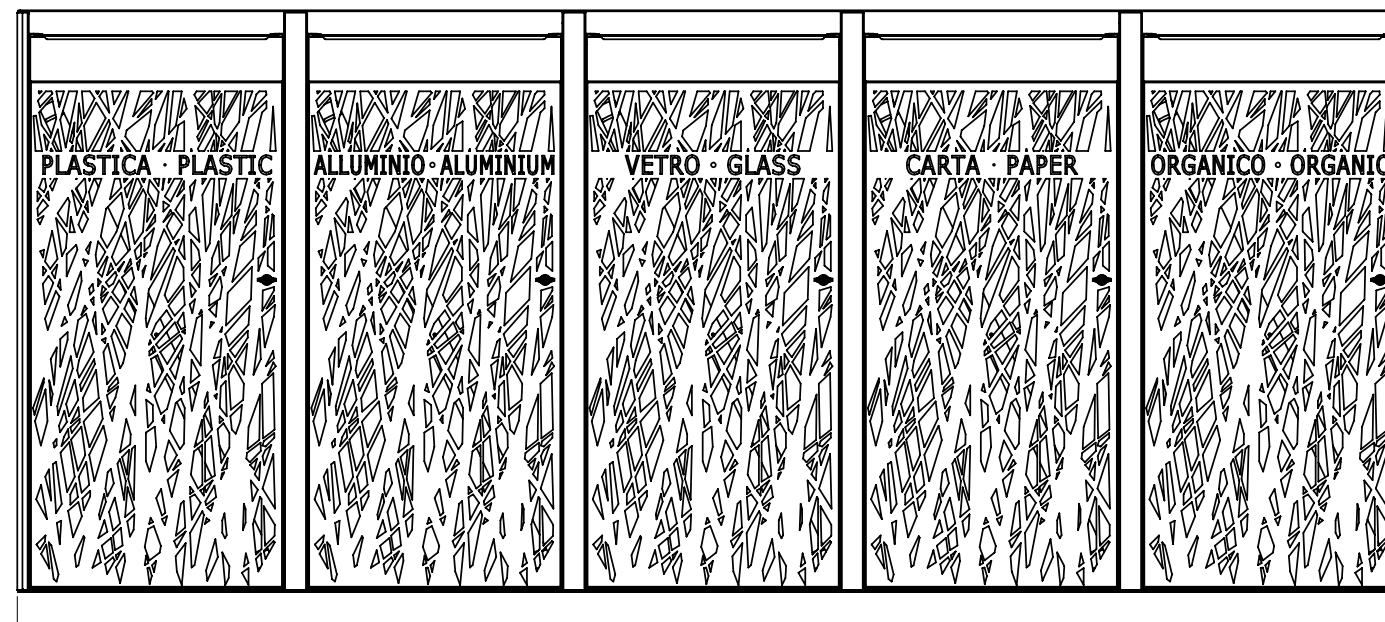
CODE B UL - CST - 012B
CAPACITÀ / CAPACITY 2 X 120/240/360 lt



CODE C UL - CST - 012C
CAPACITÀ / CAPACITY 3 X 120/240/360 lt

COVER BIN LINES

CODE A UL - CST - 004 - A / CODE B UL - CST - 004 - B / CODE C UL - CST - 004 - C / CODE D UL - CST - 004 - D
 CODE E UL - CST - 004 - E



3000



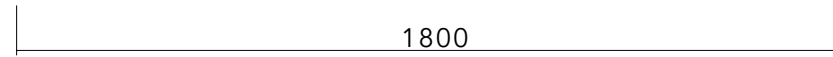
600

CODE A UL - CST - 004 A
 CAPACITÀ / CAPACITY 1 X 120/240/360 lt



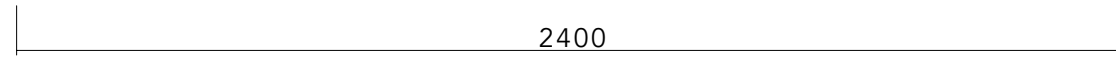
1200

CODE B UL - CST - 004 B
 CAPACITÀ / CAPACITY 2 X 120/240/360 lt



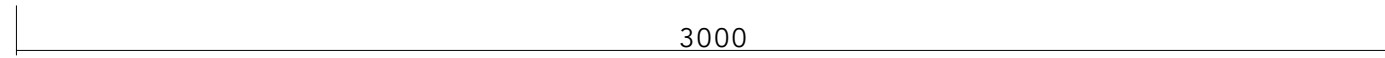
1800

CODE C UL - CST - 004 C
 CAPACITÀ / CAPACITY 3 X 120/240/360 lt



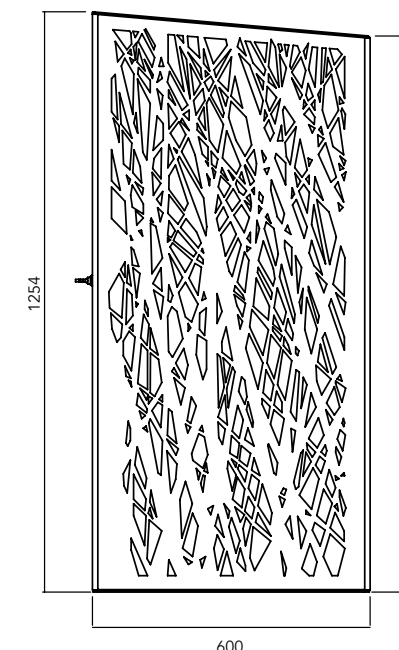
2400

CODE D UL - CST - 004 D
 CAPACITÀ / CAPACITY 4 X 120/240/360 lt



3000

CODE E UL - CST - 004 E
 CAPACITÀ / CAPACITY 5 X 120/240/360 lt



1254

600

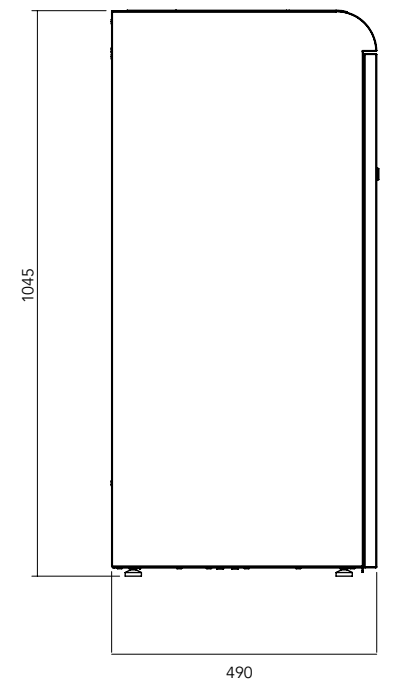
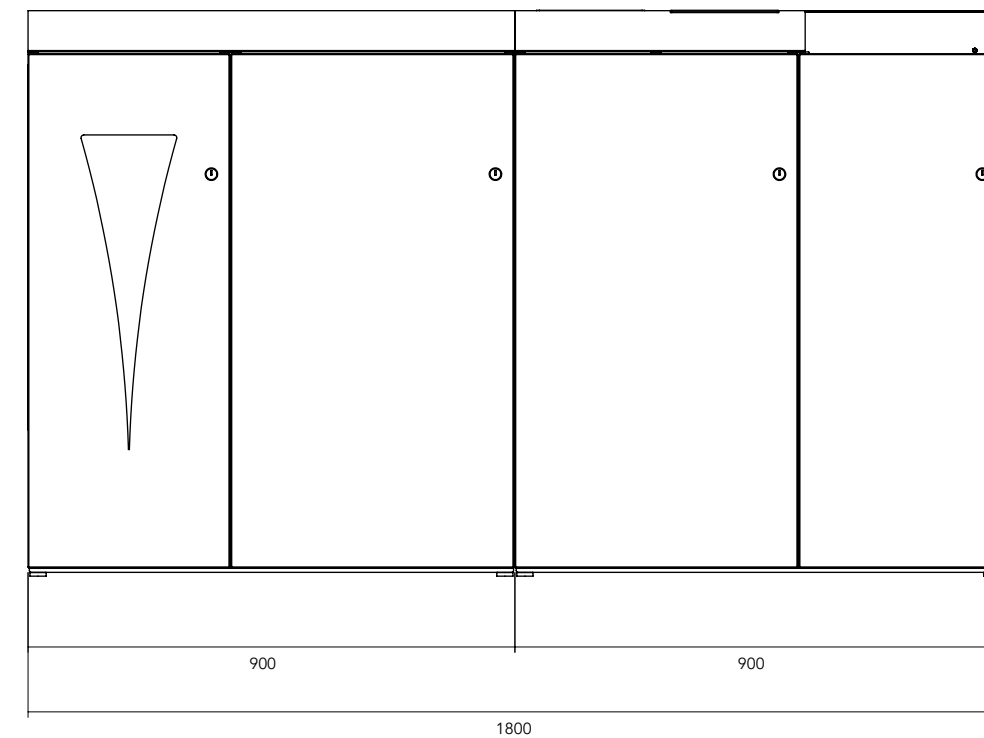
1202



CONTENITORI PER
LAMPADERE RAE
CONTAINER FOR
LAMPS AND WEEE

MULTICONTENIDOR

CODE EL - RIC - 001

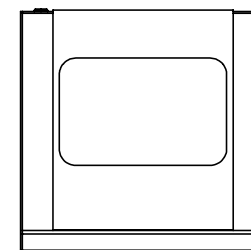
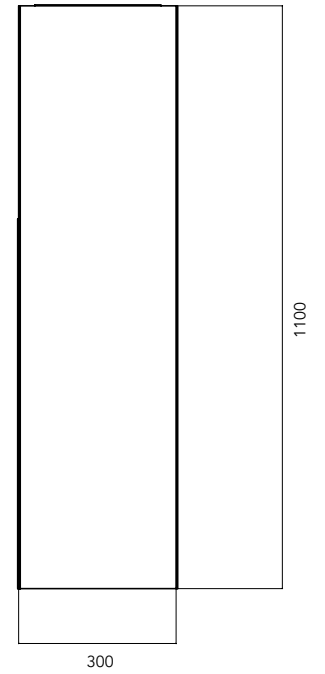
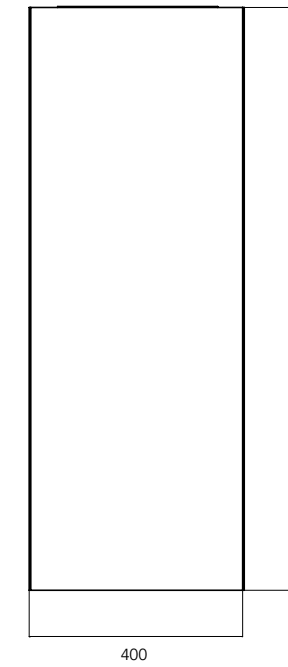
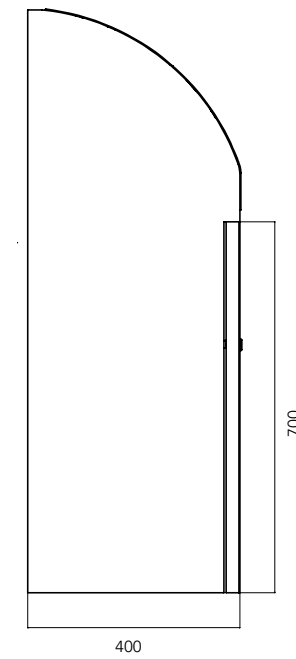


Il prodotto "Multicontenedor" è protetto con Disegno Comunitario n° 002246009 EMand come modello di utilità n° 201330661 ES e n° 201330660 ES, titolare dei dritti è ASOCIACIÓN AMBILAMP.

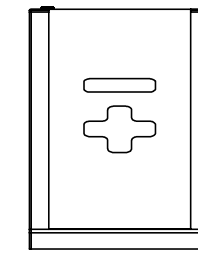
The product "Multicontenedor" is protected as a Community Design n° 002246009 EMand as a Spanish Utility Models n° 201330661 ES and n° 201330660 ES. The Holder of the three rights is ASOCIACIÓN AMBILAMP.

RECYMA

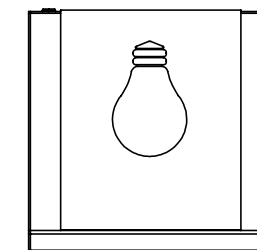
CODE EL - RIC - 005



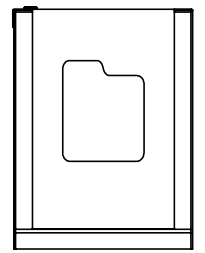
RAE /
WEEE



PILE /
BATTERIES



LAMPADINE /
LAMPS



CARTUCCE /
INK JET

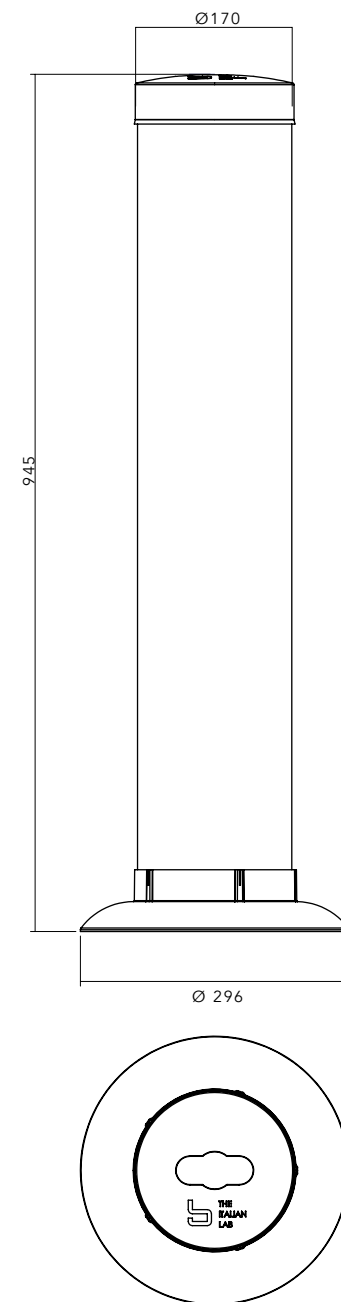
CONTENITORI PER
PILE ESAUSTE
CONTAINERS FOR
EXHAUSTED BATTERIES



BATTERY 20 LT

CODE EL - BAT - 001

COLORI DISPONIBILI BLU / ROSSO / VERDE / MAGENTA
AVAILABLE COLOURS BLUE / RED / GREEN / MAGENTA



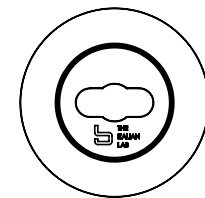
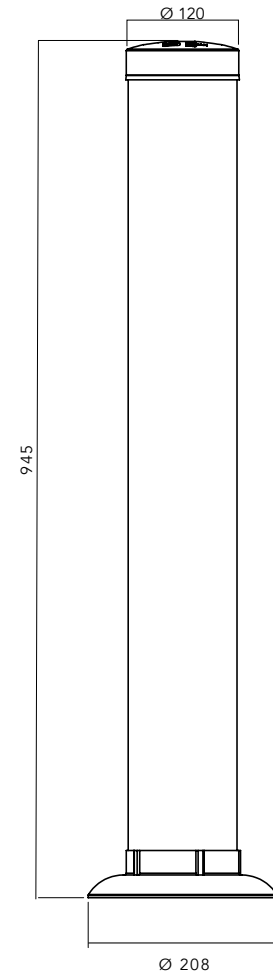
ESEMPI DI PERSONALIZZAZIONI
EXAMPLE OF CUSTOMIZATION



BATTERY 10 LT

CODE EL - BAT - 003

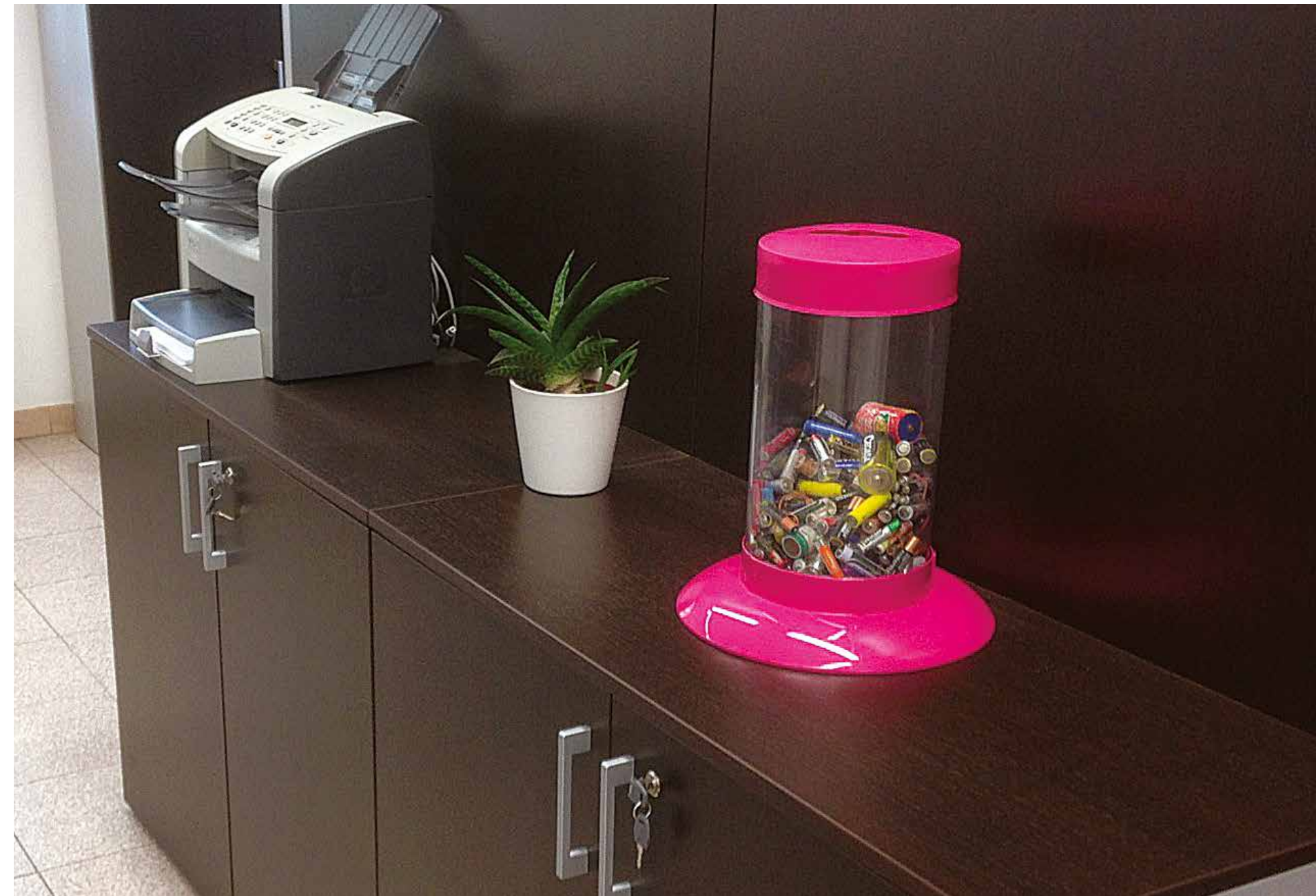
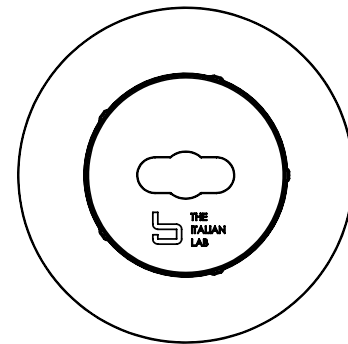
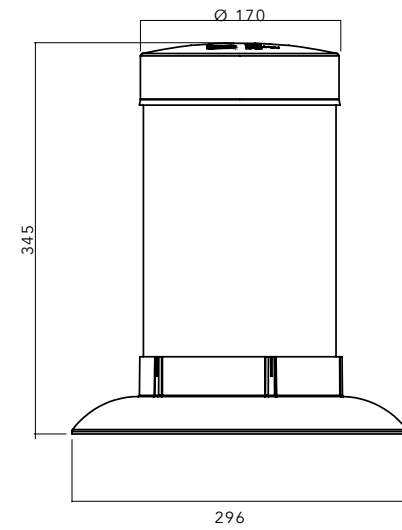
COLORI DISPONIBILI BLU / ROSSO / VERDE / MAGENTA
AVAILABLE COLOURS BLUE / RED / GREEN / MAGENTA



BATTERY 7 LT

CODE EL - BAT - 002

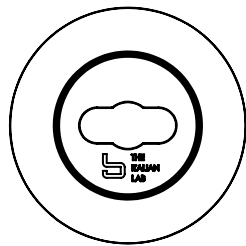
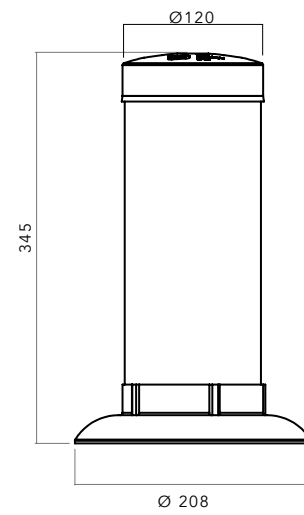
COLORI DISPONIBILI BLU / ROSSO / VERDE / MAGENTA
AVAILABLE COLOURS BLUE / RED / GREEN / MAGENTA



BATTERY 3.5 LT

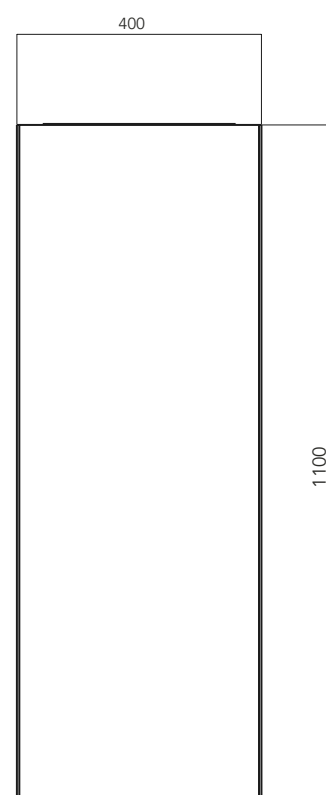
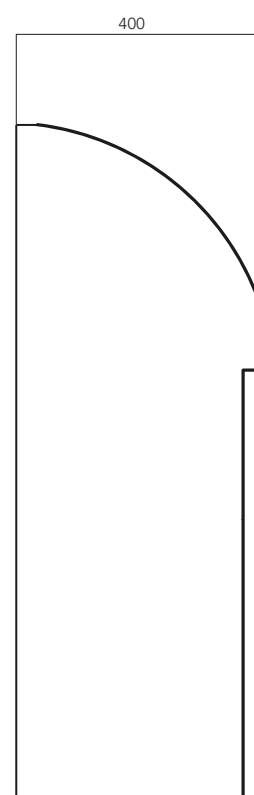
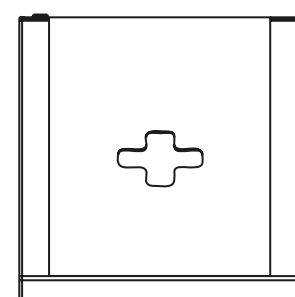
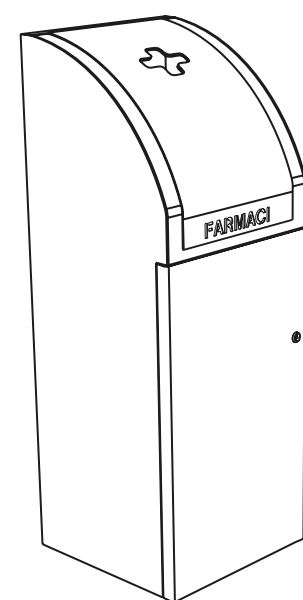
CODE EL - BAT - 004

COLORI DISPONIBILI BLU / ROSSO / VERDE / MAGENTA
AVAILABLE COLOURS BLUE / RED / GREEN / MAGENTA



RECYPHARM 100

CODE UL - CST - 084



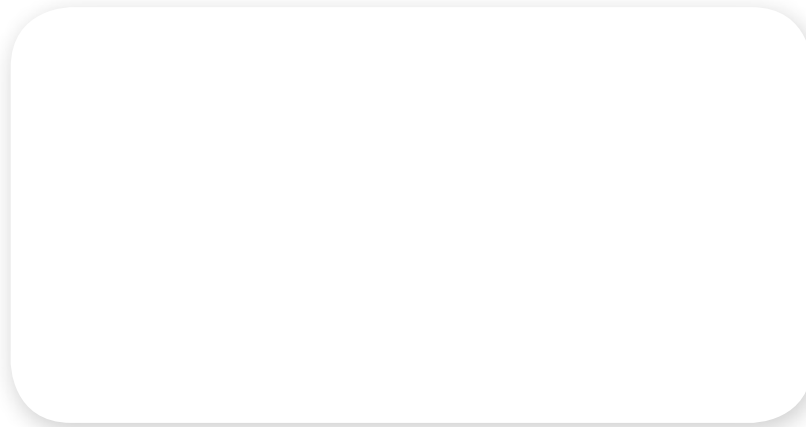


GLOBAL NETWORK

AUSTRALIA
AUSTRIA
DENMARK
FINLAND
FRANCE
GERMANY
GREAT BRITAIN
HOLLAND
ILE DE LA REUNION
ISRAEL
ITALY
JAPAN
KUWAIT
NORWAY
QATAR
SAUDI ARABIA
SWITZERLAND
TURKEY
UNITED ARAB EMIRATES
USA



REPRESENTATIVE



URBAN FURNITURE · RECYCLING CONTAINERS

#theitalianlab



ITALIAN LAB srl

Via Industrie 7

31057 Silea TREVISO - ITALY

T. +39 0422 1721960

www.theitalianlab.it

info@theitalianlab.it

